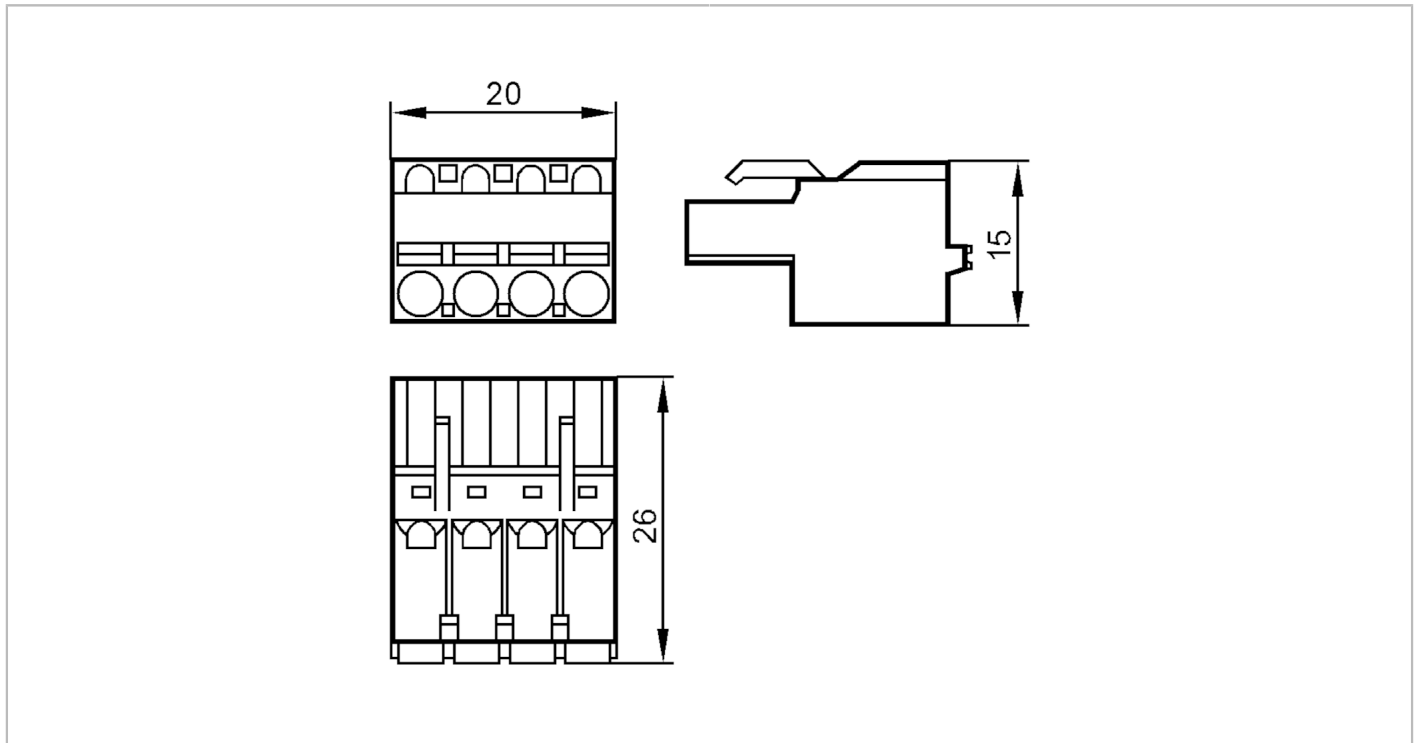


E40171



COMBICON connector

COMBICON PLUG / QUANTITY 5



Electrical data

Contact resistance	[mΩ]	1.5; (2,5 mm ²)
Max. load current	[A]	12; (2,5 mm ²)

Mechanical data

Weight	[g]	34.6
Materials		current carrying parts: copper alloy tin-plated

Remarks

Pack quantity		5 pcs.
---------------	--	--------