

MOTOR SUPPRESSOR

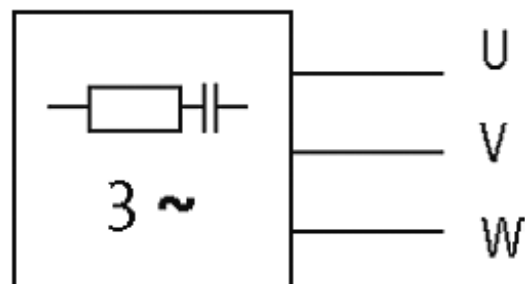
RC, 3x400...575VAC/4kW

3 × 400 V AC

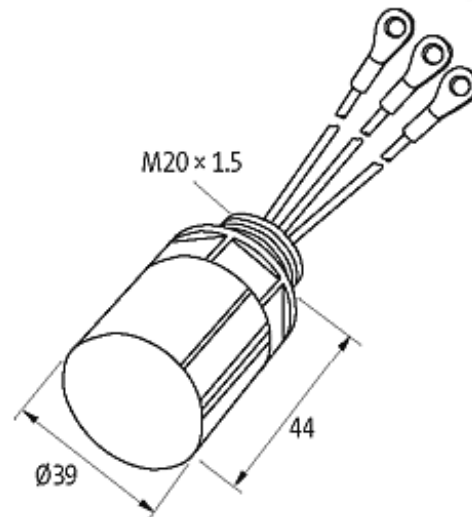
3 × 575 V AC

RC

Suppressors for other voltages, frequencies, and motor ratings available on request. Do not use RC motor suppressors with frequency inverters.

[Link to Product](#)**Illustration**

RC

stay connected

Product may differ from Image

Approvals



Technical Data

Material	Flame retardant plastic acc. to (UL 94)
Potting compound	2-component epoxy
Ring terminals	isolated M6
Frequency	50...60 Hz

General data

Connection	approx. 150 mm, single cores 1 mm ²
Temperature range	-20...+60 °C
Dimensions H × W × D	39×39×44 mm

Commercial data

country of origin	CZ
customs tariff number	85363010
minimum order quantity	1