

MKS/BCD-1300 DIODE MODULES

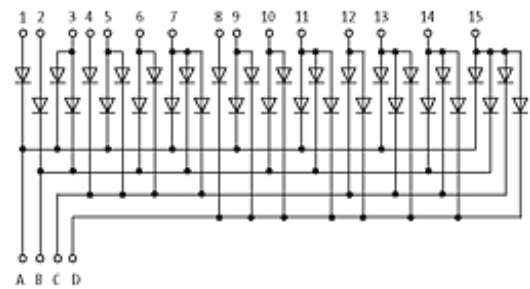
Mounting rail / screw-type terminal

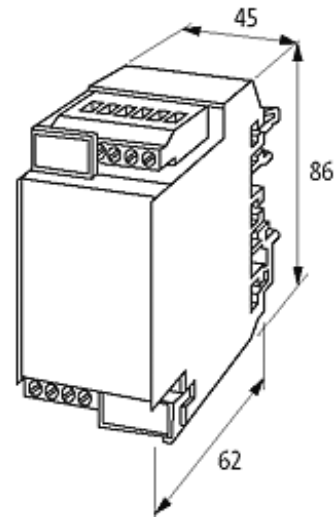
Universal diode 1300 V, 1 A

Diode logic for converting hexadecimal to binary numbers

[Link to Product](#)

Illustration





Product may differ from Image

General data

Connection	Screw terminals: max. 4 mm ²
Mounting method	DIN-rail mountable TH35 or G32 (EN 60715)
Temperature range	-20...+60 °C
Dimensions H × W × D	86×67.5×62 mm

Commercial data

country of origin	CZ
customs tariff number	85411000
minimum order quantity	1