

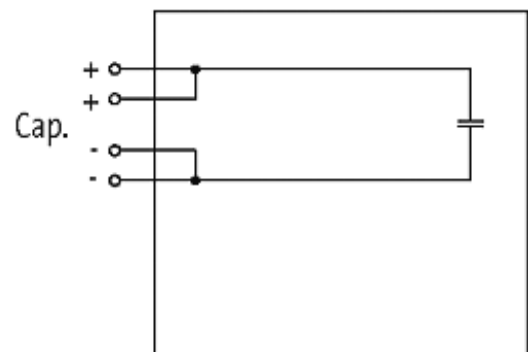
MB CAP ULTRA ADD-ON-MODULE

IN: 0-26,4VDC OUT:0-26,4VDC/3A for max.1A/21S

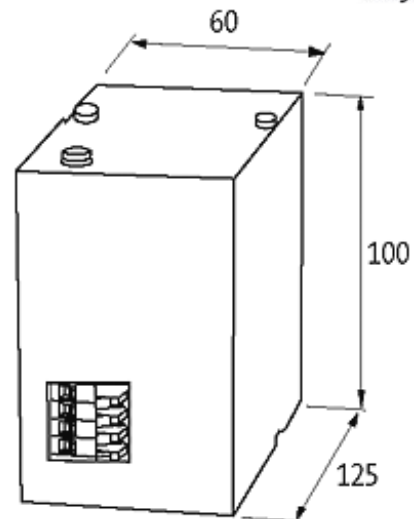
INPUT: 24 V DC (SELV/PELV)

OUTPUT: max. 3 A

Buffer time: 12 s

[Link to Product](#)**Illustration**

stay connected



Product may differ from Image

Approvals



Input

Input voltage	0...26.4 V DC
Input current	3 A

General data

Standards	(EN 60950), (EN 50178) SELV/PELV
Mounting method	DIN-rail mountable TH35 (EN 60715)
Efficiency	90 %
Temperature range	-20...+60 °C (storage temperature -20...+60 °C)

Output

Output voltage	0...26.4 V DC
Output current	max. 3 A (+60 °C)
Buffer time	12 s (3 A); 36 s (1 A)

Commercial data

country of origin	DE
customs tariff number	85322900
minimum order quantity	1