



### Model Number

#### KCD2-R

Sensor output interface terminals with relay output

### Features

- Relay output with 1 pole, yellow LED indicates switching state
- Free-wheeling diode
- Compact terminal housing
- Clips onto standard 35 mm rail to DIN EN 50 022
- Protection degree IP20

### Technical data

#### Functional safety related parameters

MTTF<sub>d</sub> 19699 a

#### Indicators/operating means

LED yellow switch output

#### Electrical specifications

Operating voltage  $U_B$  24 V DC  $\pm$  15 %

Ripple  $\leq$  10 %

Operating current 16 mA

#### Input

Connection terminals 2+, 3-

Connectable sensor types PNP or NPN 3-wire sensors

#### Output

Switching frequency  $f$   $\leq$  10 Hz

Relay 1 changeover contact

Contact loading 30 V DC/2 A resistive load

Delay Pull-in: approx. 6 ms  
Drop-out: approx. 2 ms

Mechanical life  $\geq 10^8$  switching cycles

#### Ambient conditions

Ambient temperature -25 ... 60 °C (-13 ... 140 °F)

Storage temperature -25 ... 85 °C (-13 ... 185 °F)

#### Mechanical specifications

Protection degree IP20

Connection self-opening apparatus connection terminals, max. core cross-section 0.34 ... 2.5 mm<sup>2</sup>

Mass 60 g

Dimensions 20 mm x 60 mm x 40 mm

#### Compliance with standards and directives

##### Directive conformity

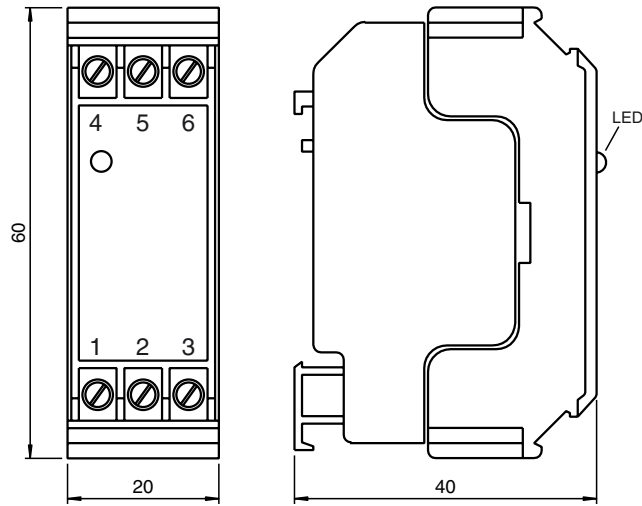
EMC Directive 2004/108/EC EN 61326-1:2006

##### Standard conformity

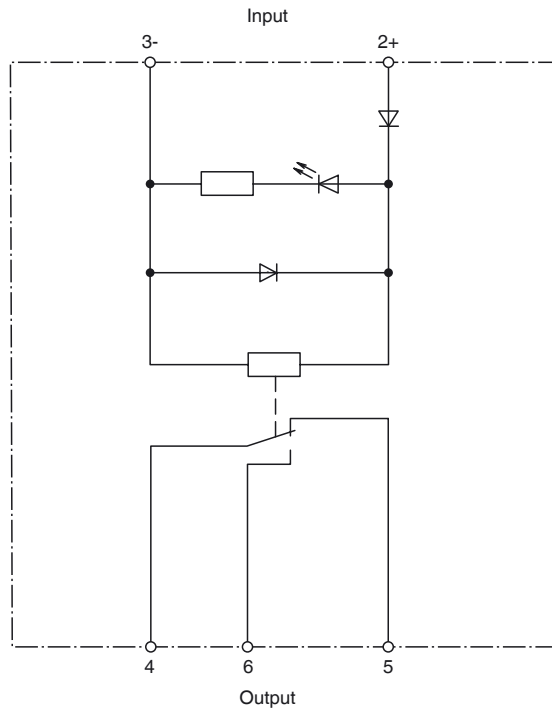
Noise immunity EN 61326-1:2006

Protection degree EN 60529:2000

Dimensions



Electrical connection



Release date: 2012-02-07 15:31 Date of issue: 2012-02-07 019498\_eng.xml