

04020VA (1608VL)

DC Axial Fan

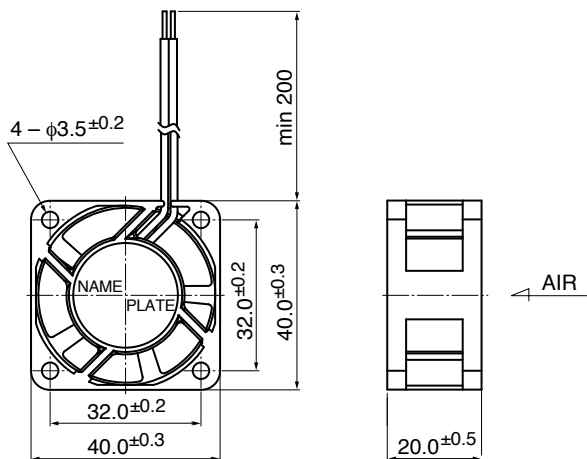
40[□]X20^L



General Specifications

Motor Protection : Auto Restart / Polarity Protection
 Insulation Resistance : 10M Ω or over with a DC500V Megger
 Dielectric Withstand Voltage : AC700V 1s
 : -10 $^{\circ}$ C ~ + 70 $^{\circ}$ C (Operating)
 Allowable Ambient Temperature Range : -40 $^{\circ}$ C ~ + 70 $^{\circ}$ C (Storage)
 : non-condensing environment

Outline



Expected Life

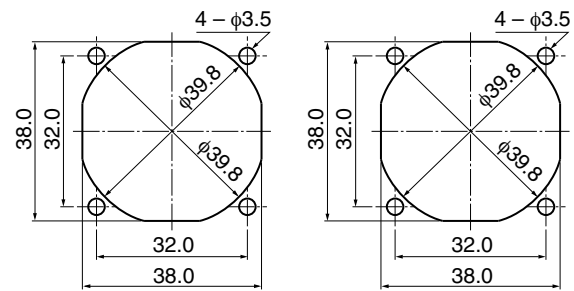
※ Failure Rate: 10% (L10 Life)

60 $^{\circ}$ C 40,000 (Hours)

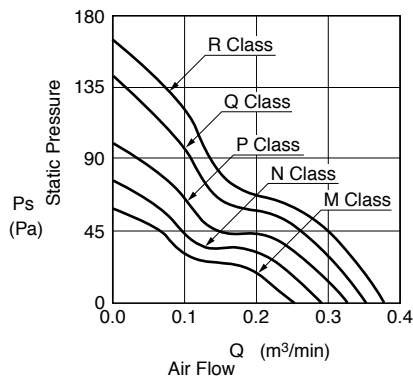
Panel Out-cuts

(Inlet Side)

(Outlet Side)



Characteristic Curves



Material

Casing : Plastic (Black) UL94V-0
 Impeller : Plastic (Black) UL94V-0
 Bearing : Ball Bearing
 Lead Wire : UL1007 AWG26 + : Red, - : Black

Customize service for IP compatible type and Oil-proof type is available for this item. Please contact to our sales representative for more detail.

Specifications

Model	Product No.	Rating Voltage	Operating Voltage	Current	Input Power	Speed	Max. Air Flow		Max. Static Pressure		Noise	Mass
		(V)	(V)	(A)*1	(W)*1	(min ⁻¹)*1	(m ³ /min)*1	(CFM)*1	(Pa)*1	(In H ₂ O)*1	(dB)*1	(g)
04020VA-12M-AA-	00	12	7.0 ~ 13.2	0.085	1.02	7500	0.25	8.8	58.8	0.24	29.0	40
04020VA-12N-AA-	00			0.11	1.32	8500	0.29	10.2	76.6	0.31	32.5	
04020VA-12P-AA-	00			0.13	1.56	9500	0.32	11.3	99.3	0.40	37.0	
04020VA-12Q-AA-	00			0.21	2.52	11000	0.35	12.4	142.0	0.57	42.0	
04020VA-12R-AA-	00			0.18	2.16	12000	0.38	13.4	165.0	0.66	46.0	
04020VA-24M-AA-	00	24	14.0 ~ 26.4	0.05	1.20	7500	0.25	8.8	58.8	0.24	29.0	
04020VA-24N-AA-	00			0.07	1.68	8500	0.29	10.2	76.6	0.31	32.5	
04020VA-24P-AA-	00			0.10	2.40	9500	0.32	11.3	99.3	0.40	37.0	
04020VA-24Q-AA-	00			0.11	2.64	11000	0.35	12.4	142.0	0.57	42.0	
04020VA-24R-AA-	00			0.11	2.64	11000	0.35	12.4	142.0	0.57	42.0	

Rotation: Clockwise as seen from the label side
 Airflow Outlet: Label side

*1: Average Values in Free Air