

**Crank Handles · DIN 469 straight with square end DIN 79**  
24330.0050



**Product Description**

With these crank handles, the seam is ground and blasted. The hub is machined.

**Material**

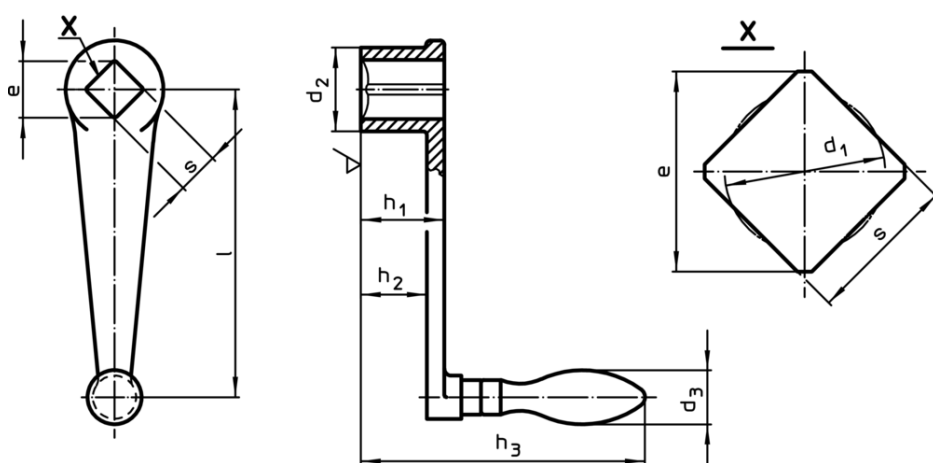
**Machine handle**

- Steel, turned, zinc-plated by galvanization, passivated

**Handle body**

- Nodular cast iron, plastic coated, black

**Drawing**



**Order information**

l	s H11	e min.	Dimensions					d <sub>3</sub> Machine handle Ø	[g]	Art. No.
			d <sub>1</sub>	d <sub>2</sub>	h <sub>1</sub>	h <sub>2</sub>	h <sub>3</sub>			
[mm]										
<b>with rotating machine handle (EH 24460., DIN 98), form D</b>										
160	17	22.2	17.9	38	38	29	126	25	667	24330.0050

**Compliance**

**RoHS compliant**

Compliant according to Directive 2011/65/EU and Directive 2015/863

**Does not contain SVHC substances**

No SVHC substances with more than 0.1% w/w contained - SVHC list [REACH] as of 10.06.2022

**Does not contain Proposition 65 substances**

No Proposition 65 substances included  
<https://www.P65Warnings.ca.gov/>

**Free from Conflict Minerals**

This product does not contain any substances designated as "conflict minerals" such as tantalum, tin, gold or tungsten from the Democratic Republic of Congo or adjacent countries.