

92mm sq.

San Ace 92



General Specifications

- Material Frame: Plastics (Flammability: UL94V-0),
Impeller: Plastics (Flammability: UL94V-0)
- Expected Life Refer to specifications (L10:Survival rate:90% at 60°C ,
rated voltage, and continuously run in a free air state)
- Lead Wire ⊕red ⊖black (Sensor) yellow
- Storage Temperature -30°C to +70°C (Non-condensing)

92×92×38mm (Mass : 180g) **9G type**

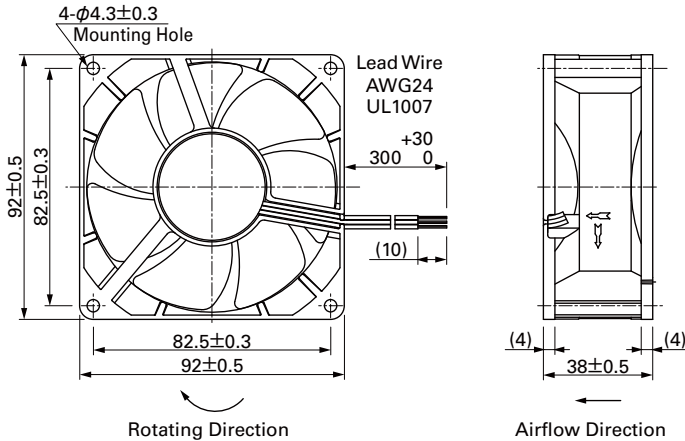
Specifications

The following nos. **have pulse sensors and ribs**. For ribless, append "1" to the model no.

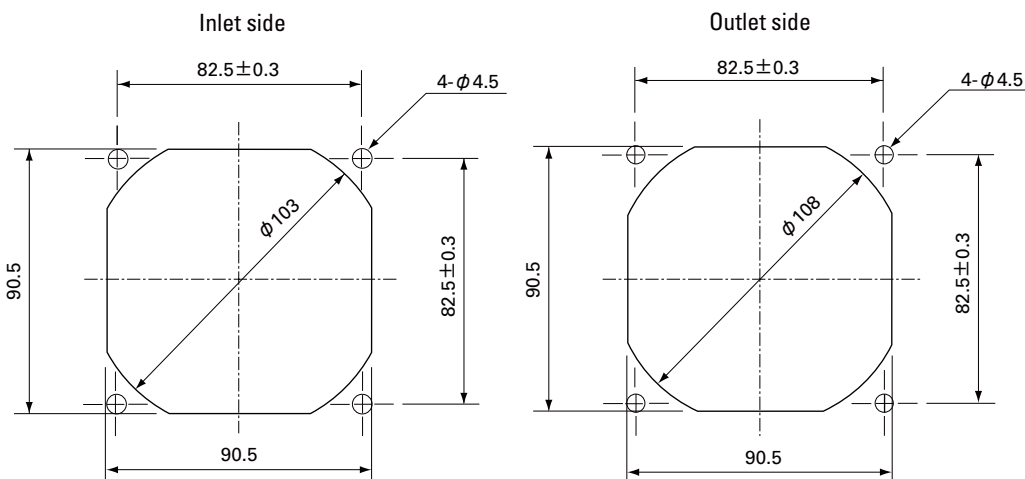
Model No.	Rated Voltage [V]	Operating Voltage Range [V]	Rated Current [A]	Rated Input [W]	Rated Speed [min ⁻¹]	Max. Airflow [m ³ /min] [CFM]	Max. Static Pressure [Pa] [inchH ₂ O]	SPL [dB(A)]	Operating Temperature [°C]	Expected Life [h]
9G0912G101	12	7.0 to 13.8	1.1	13.2	5,000	3.10 110	150 0.602	50	-20 to +60	40,000/60°C
9G0912H101			0.58	6.96	4,000	2.54 90	100 0.402	43		
9G0924G101	24	20.4 to 27.6	0.55	13.2	5,000	3.10 110	150 0.602	50		
9G0924H101			0.3	7.2	4,000	2.54 90	100 0.402	43		
9G0948J101	48	40.8 to 55.2	0.32	15.36	5,500	3.41 120.49	178 0.715	55	-20 to +70	
9G0948G101			0.27	12.96	5,000	3.10 110	150 0.602	50	-20 to +60	
9G0948H101			0.16	7.68	4,000	2.54 90	100 0.402	43		

Models without sensors, or with lock sensors, or PWM control function are available as options. Please refer to the index (p. 472).

Dimensions (unit: mm) (With ribs)



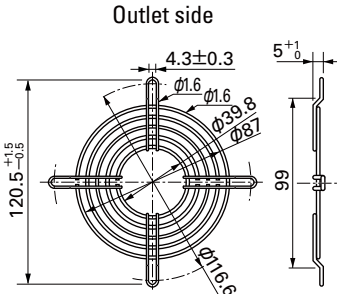
Reference Dimensions of Mounting Holes and Vent Opening (unit: mm)



Options (unit: mm)

Finger Guards

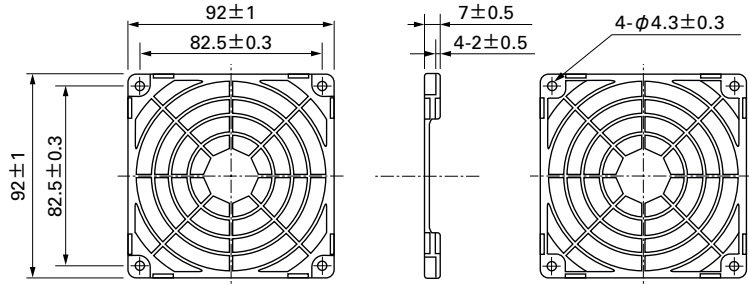
Model : 109-099C Surface treatment : Nickel-chrome plating (silver) Color : Nickel-chrome plating (silver)



Mass : 22g

Resin Finger Guards

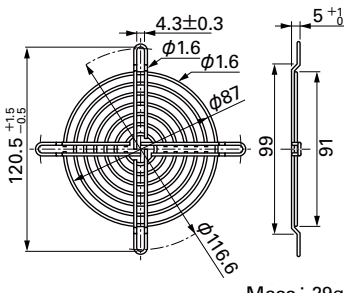
Model : 109-1001G



Mass : 12g

Model : 109-099E Surface treatment : Nickel-chrome plating (silver) Color : Nickel-chrome plating (silver)
: 109-099H Surface treatment : Cation electropainting (black) Color : Cation electropainting (black)

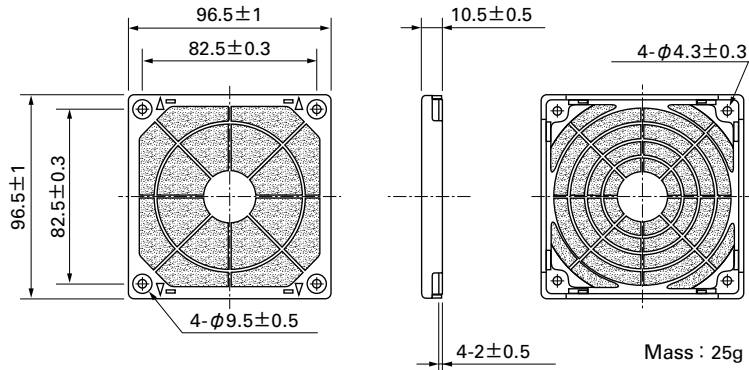
Inlet side, Outlet side



Mass : 29g

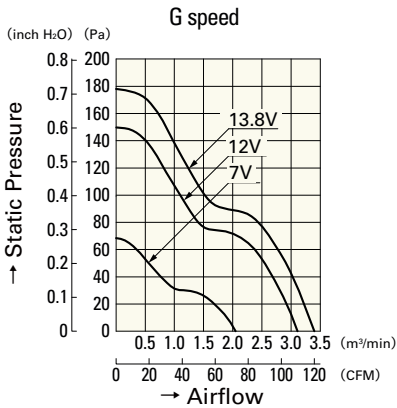
Resin Filter Kits

Model : 109-1001F13 (13PPI), 109-1001F20 (20PPI)
: 109-1001F30 (30PPI), 109-1001F40 (40PPI)

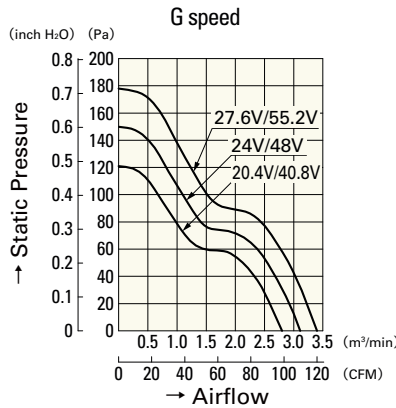


Mass : 25g

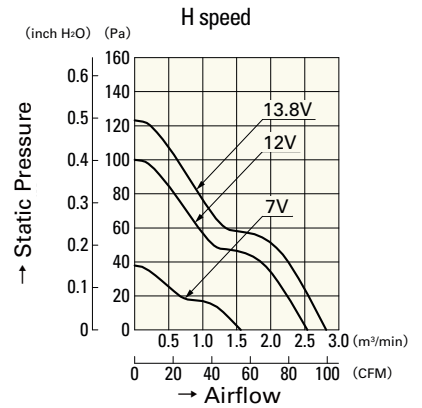
Airflow - Static Pressure Characteristics



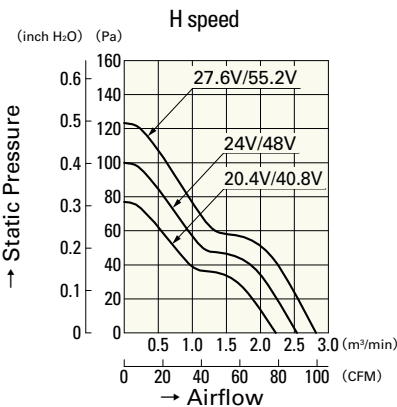
9G0912G101



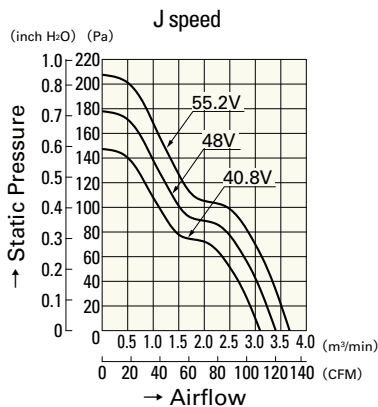
9G0924G101
9G0948G101



9G0912H101



9G0924H101
9G0948H101



9G0948J101