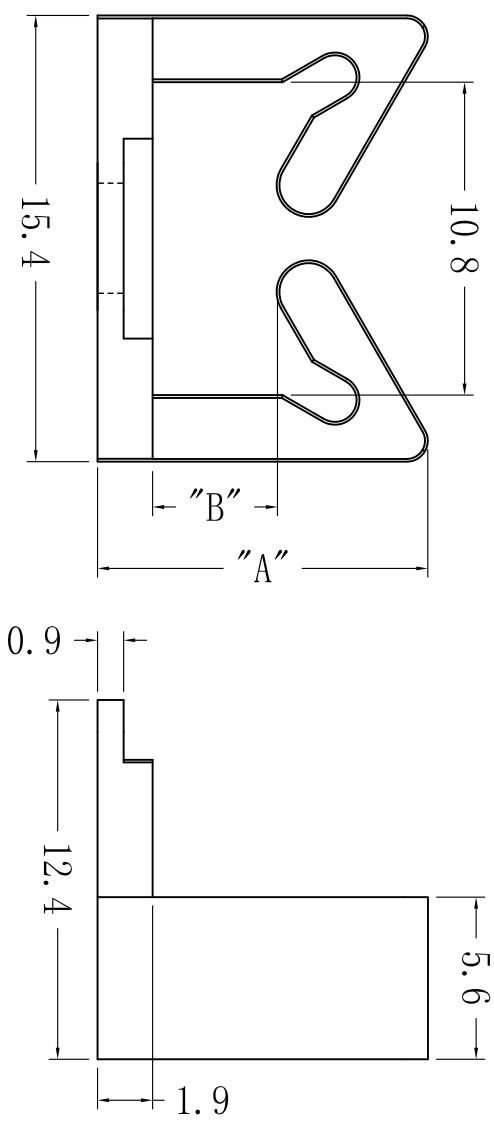
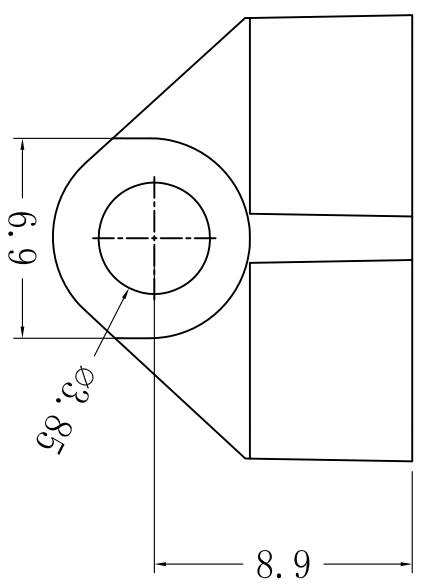


DO NOT SCALE DRAWING

REVISIONS				
ZONE	REV.	DESCRIPTION	DATE	APPROVED
A		DRAWN	08-08-2013	

Part Name	"A"	"B"
TRWS-SR-1-01	11.4	4.4
TRWS-SR-2-01	16.3	9.3
TRWS-SR-3-01	25.4	18.4
TRWS-SR-4-01	33.4	26.4



NOTES

Also available in flame retardant nylon (PA66 UL94V-0)



DESIGN RIGHT. TR FASTENINGS LTD. 2003
 UNDER NO CIRCUMSTANCES MUST THIS
 DRAWING BE COPIED OR DISCLOSED,
 WITHOUT FIRST OBTAINING WRITTEN
 AUTHORITY.

UNLESS OTHERWISE SPECIFIED:
 DIMENSIONS ARE IN MILLIMETERS.
 SURFACE FINISH:
 TOLERANCES:
 15<L<50 = ±0.3 50<L<100 = ±0.4
 154 = ±0.1 4<L<15 = ±0.2

NAME	DATE
DRAWN: MARIN ELLIOTT	08/08/2013
CHKD:	
APP'D:	

CUSTOMER PART NO.

MATERIAL
 PA66 UL94V-2
 ROHS COMPLIANT

HEAT TREATMENT
 N/A

FINISH
 NATURAL

TITLE

WIRE SADDLE SNAP RIVET

DWG NO.
 TRWS-SR-X-01

A3