



Power Down Fault Protected, 1.8 V to 5.5 V, 2.5 Ω, 4-Channel (4:1) Multiplexer

DESCRIPTION

The DG2034E is a four-channel multiplexer that operates with a single 1.8 V to 5.5 V power supply. It features power down fault protection that prevents excessive current flow when V+ is to ground.

The device's low power dissipation and wide voltage range make it ideal for use in battery powered products. The ultra low capacitance and charge injection of the switch make it an ideal solution for data acquisition and sample and hold applications, where low glitch and fast settling are required. Low switch resistance and fast switching speeds, together with high signal bandwidth, make the DG2034E suitable for video signal switching.

The DG2034E switches one of four inputs to a common output as determined by the 3-bit binary address lines: A0, A1, and EN. Each switch conducts equally well in both directions when on, blocks input voltages up to the supply level when off, and exhibits break before make switching action.

The device's high ESD and latch-up current capability make it more reliable in designs where the part sits close to the interface.

The DG2034E is available in MSOP10 and QFN12 3 mm x 3 mm packages.

FEATURES

- 2.5 Ω switch on-resistance
- 7 pF source-off capacitance
- 27 pF comm-off capacitance
- 33 pF comm-on capacitance
- 13 ns turn-on time
- -2 pC charge injection
- -67 dB off-isolation at 1 MHz
- -71 dB crosstalk at 1 MHz
- 166 MHz bandwidth
- 8 kV ESD / HBM
- 400 mA latch-up current

BENEFITS

- Power down fault protection
- Low parasitic and charge injection
- Wide operation voltage range
- High ESD tolerance

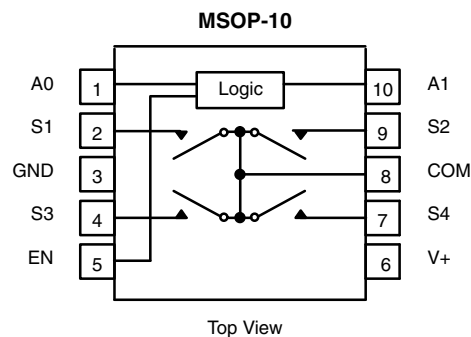
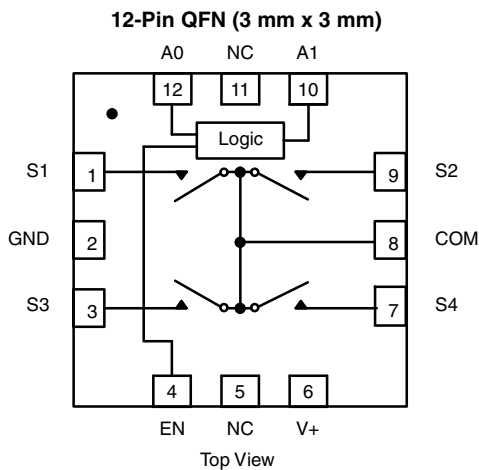
APPLICATIONS

- Automatic test equipment
- Process control and automation
- Data acquisition systems
- Meters and instruments
- Medical and healthcare systems
- Communication systems
- Audio and video switching
- Relay replacements



RoHS COMPLIANT

FUNCTIONAL BLOCK DIAGRAM AND PIN CONFIGURATION





TRUTH TABLE			
A1	A0	EN	ON SWITCH
X	X	0	None
0	0	1	S1
0	1	1	S2
1	0	1	S3
1	1	1	S4

ORDERING INFORMATION		
TEMP. RANGE	PACKAGE	PART NUMBER
-40 °C to +85 °C	MSOP-10	DG2034EDQ-T1-GE3
	12-pin QFN (3 mm x 3 mm)	DG2034EDN-T1-GE4

ABSOLUTE MAXIMUM RATINGS			
PARAMETER		LIMIT	UNIT
Referenced V+ to GND		-0.3 to +6	V
A _x , EN, S _x , COM ^a		-0.3 to (V+ + 0.3)	
Continuous current (any terminal)		± 50	mA
Peak current (pulsed at 1 ms, 10 % duty cycle)		± 100	
Power dissipation (package) ^b	QFN-12 (3 mm x 3 mm) ^c	1295	mW
	MSOP-10 ^d	320	
Storage temperature (D suffix)		-65 to +150	°C
ESD / HBM	EIA / JESD22-A114-A	8k	V
ESD / CDM	EIA / JESD22-C101-A	2k	
Latch up	JESD78	400	mA

Notes

- a. Signals on S_x, COM, EN or A_x exceeding V+ or V- will be clamped by internal diodes. Limit forward diode current to maximum current ratings
- b. All leads welded or soldered to PC board
- c. Derate 16.2 mW/°C above 70 °C
- d. Derate 4 mW/°C above 70 °C



SPECIFICATIONS (V+ = 3 V)								
PARAMETER	SYMBOL	TEST CONDITIONS OTHERWISE UNLESS SPECIFIED V+ = 3 V, ± 10 %, VAL = 0.5 V, VAH = 1.5 V e	TEMP. a	LIMITS -40 to +85 °C			UNIT	
				MIN. c	TYP. b	MAX. c		
Analog Switch								
Analog signal range d	VANALOG		Full	0	-	V+	V	
Drain-source On-resistance	RDS(on)	V+ = 1.8 V, VS = 0.4 V / V+, IS = 8 mA	Room	-	7	10	Ω	
			Full	-	-	11		
		V+ = 2.7 V, VCOM = 0.8 V / 1.8 V, ICOM = 10 mA	Room	-	4.6	5.3		
			Full	-	-	5.9		
On-resistance matching	ΔRDS(on)	V+ = 2.7 V, VCOM = 0.8 V / 1.4 V / 1.8 V ICOM = 10 mA	Room	-	0.02	0.27	Ω	
On-resistance flatness d, f	Rflat(on)		Full	-	-	0.41		
			Room	-	0.62	1		
			Full	-	-	1.3		
Off leakage current g	IS(off)	V+ = 3.3 V, VS = 1 V / 3 V VCOM = 3 V / 1 V, VEN = 0 V	Room	-2	0.01	2	nA	
COM off leakage current g	ICOM(off)		Full	-5	-	5		
			Room	-2	0.01	2		
			Full	-5	-	5		
Channel-on leakage current g	ICOM(on)	V+ = 3.3 V VCOM = VS = 1 V / 3 V	Room	-2	0.01	2	nA	
			Full	-5	-	5		
Digital Control								
Input current d	IA or IEN	VA/EN = 0 V or V+, see truth table	Full	-1	0.05	1	μA	
Input high voltage d	VAH or VENH		Full	1.5	1.25	-	V	
Input low voltage d	VAL or VENL		Full	-	1	0.5		
Digital input capacitance d	CIN		Room	-	3	-	pF	
Dynamic Characteristics								
Turn-on time	tON	VS = 1.5 V, CL = 35 pF, RL = 300 Ω	Room	-	19	29	ns	
			Full	-	-	39		
Turn-off time	tOFF		Room	-	16	26		
			Full	-	-	36		
Break-before-make time d	tBBM		Room	7	12	-		
			Full	5	-	-		
Transition time	ttrans	VS = 1.5 V / 0 V, VS = 0 V / 1.5 V, RL = 300 Ω	Room	-	26	41		
			Full	-	-	51		
Charge injection d	QINJ	CL = 1 nF, Vgen = 1.5 V, Rgen = 0 Ω	Room	-	-2	-	pC	
Bandwidth d	BW	CL = 5 pF (set up capacitance)	Room	-	166	-	MHz	
Off-isolation d	OIRR	RL = 50 Ω, CL = 5 pF	f = 1 MHz	Room	-	-67	-	dB
			f = 10 MHz	Room	-	-52	-	
Channel-to-channel crosstalk d	XTALK	RL = 50 Ω, CL = 5 pF	f = 1 MHz	Room	-	-71	-	
			f = 10 MHz	Room	-	-55	-	
Off capacitance d	CS(off)	V+ = 2.7 V, f = 1 MHz	Room	-	7	-	pF	
COM off capacitance d	C _{COM(off)}		Room	-	27	-		
COM on capacitance d	C _{COM(on)}		Room	-	33	-		
Power Supply								
Power supply range	V+		Full	2.7	-	3.3	V	
Power supply current d	I+	V+ = 2.7 V, VA/EN = 0 V or 2.7 V, see truth table	Full	-	-	1	μA	

Notes

- a. Room = 25 °C, Full = as determined by the operating suffix
- b. Typical values are for design aid only, not guaranteed nor subject to production testing
- c. The algebraic convention whereby the most negative value is a minimum and the most positive a maximum, is used in this datasheet
- d. Guarantee by design, not subjected to production test
- e. VA, EN = input voltage to perform proper function
- f. Difference of min. and max. values
- g. Guaranteed by 5 V testing



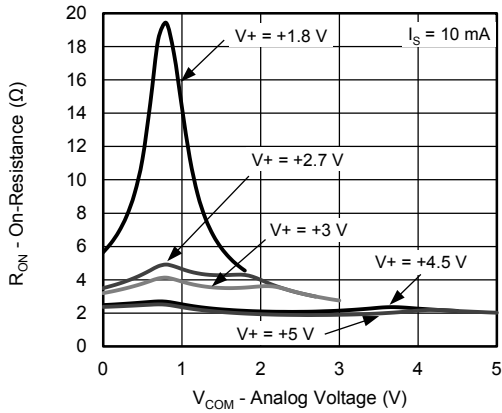
SPECIFICATIONS (V+ = 5 V)								
PARAMETER	SYMBOL	TEST CONDITIONS OTHERWISE UNLESS SPECIFIED V+ = 5 V, ± 10 %, V _{AL} = 0.5 V, V _{AH} = 2 V ^e	TEMP. ^a	LIMITS -40 to +85 °C			UNIT	
				MIN. ^c	TYP. ^b	MAX. ^c		
Analog Switch								
Analog signal range ^d	V _{ANALOG}		Full	0	-	V+	V	
Drain-source On-resistance	R _{DS(on)}	V+ = 4.5 V, V _{COM} = 0.8 V / 3.5 V I _{COM} = 10 mA	Room	-	2.5	3.1	Ω	
On-resistance matching	ΔR _{DS(on)}	V+ = 4.5 V, V _{COM} = 0.8 V / 2.5 V / 3.5 V I _{COM} = 10 mA	Full	-	-	4		
On-resistance flatness ^{d, f}	R _{flat(on)}		Room	-	0.02	0.29		
			Full	-	-	0.42		
Off leakage current ^g	I _{S(off)}	V+ = 5.5 V, V _S = 1 V / 4.5 V V _{COM} = 4.5 V / 1 V, V _{EN} = 0 V	Room	-2	0.17	2	nA	
COM off leakage current ^g	I _{COM(off)}		Full	-8	-	8		
Channel-on leakage current ^g	I _{COM(on)}		Room	-5	0.77	5		
		Full	-15	-	15			
Power down leakage ^d	I _{PD}	V+ = 5.5 V, V _{COM} = V _S = 1 V / 4.5 V	Room	-5	0.61	5	μA	
		V+ = 0 V, V _D = 5.5 V, S _X open	Full	-	0.01	5		
		V+ = 0 V, V _S = 5.5 V, COM, open	Full	-	0.01	5		
Digital Control								
Input current ^d	I _A or I _{EN}	V _{A/EN} = 0 V or V+, see truth table	Full	-	0.01	1	μA	
Input high voltage ^d	V _{AH} or V _{ENH}		Full	2	1.76	-	V	
Input low voltage ^d	V _{AL} or V _{ENL}		Full	-	1.3	0.5		
Digital input capacitance ^d	C _{IN}		Room	-	3	-	pF	
Dynamic Characteristics								
Turn-on time	t _{ON}	V _S = 3 V, C _L = 35 pF, R _L = 300 Ω	Room	-	13	25	ns	
Turn-off time	t _{OFF}		Full	-	-	35		
Break-before-make time ^d	t _{BBM}		Room	-	12	20		
			Full	-	-	30		
Transition time	t _{trans}	Room	4	10	-			
		Full	3	-	-			
Propagation delay ^d	t _{PD}	V _S = 3 V / 0 V, V _S = 0 V / 3 V, R _L = 300 Ω	Room	-	17	32		
			Full	-	-	42		
Charge injection ^d	Q _{INJ}	V+ = 5 V, no R _{LOAD}	Room	-	537	-	ps	
Bandwidth ^d	BW	C _L = 1 nF, V _{gen} = 2.5 V, R _{gen} = 0 Ω	Room	-	-2.6	-	pC	
Off-isolation ^d	OIRR	C _L = 5 pF (set up capacitance)	Room	-	166	-	MHz	
Channel-to-channel crosstalk ^d	X _{TALK}	R _L = 50 Ω, C _L = 5 pF	f = 1 MHz	Room	-	-67	-	dB
			f = 10 MHz	Room	-	-52	-	
			f = 1 MHz	Room	-	-71	-	
			f = 10 MHz	Room	-	-55	-	
Off capacitance ^d	C _{S(off)}	V+ = 5 V, f = 1 MHz	Room	-	7	-	pF	
COM off capacitance ^d	C _{COM(off)}		Room	-	27	-		
COM on capacitance ^d	C _{COM(on)}		Room	-	36	-		
Power Supply								
Power supply range	V+		Full	4.5	-	5.5	V	
Power supply current ^d	I+	V+ = 5.5 V, V _{A/EN} = 0 V or 5.5 V, see truth table	Full	-	-	1	μA	

Notes

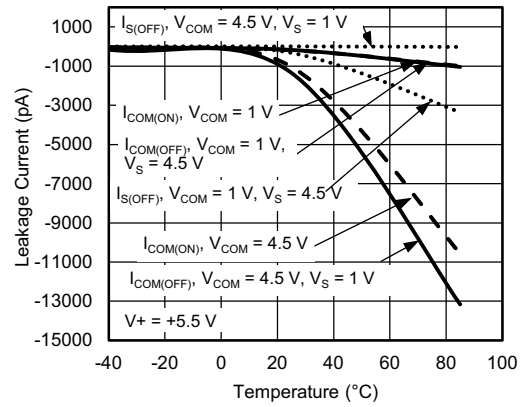
- a. Room = 25 °C, Full = as determined by the operating suffix
- b. Typical values are for design aid only, not guaranteed nor subject to production testing
- c. The algebraic convention whereby the most negative value is a minimum and the most positive a maximum, is used in this datasheet
- d. Guarantee by design, not subjected to production test
- e. V_A, EN = input voltage to perform proper function
- f. Difference of min. and max. values
- g. Guaranteed by 5 V testing

Stresses beyond those listed under "Absolute Maximum Ratings" may cause permanent damage to the device. These are stress ratings only, and functional operation of the device at these or any other conditions beyond those indicated in the operational sections of the specifications is not implied. Exposure to absolute maximum rating conditions for extended periods may affect device reliability.

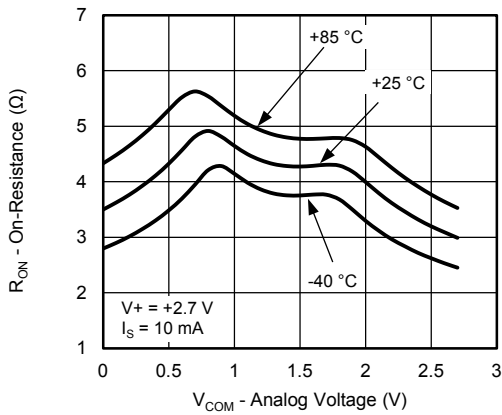
TYPICAL CHARACTERISTICS (25 °C, unless otherwise noted)



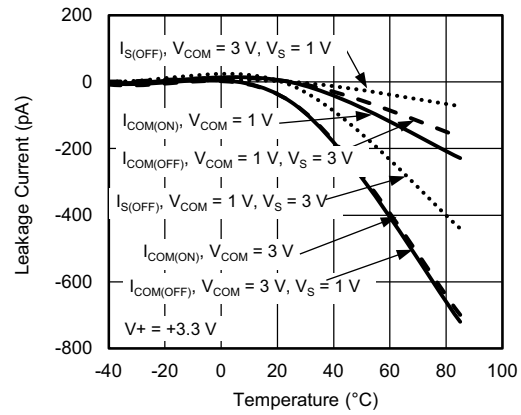
On-Resistance vs. Analog Voltage



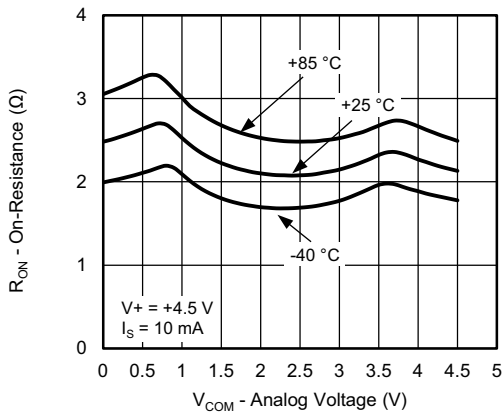
Leakage Current vs. Temperature



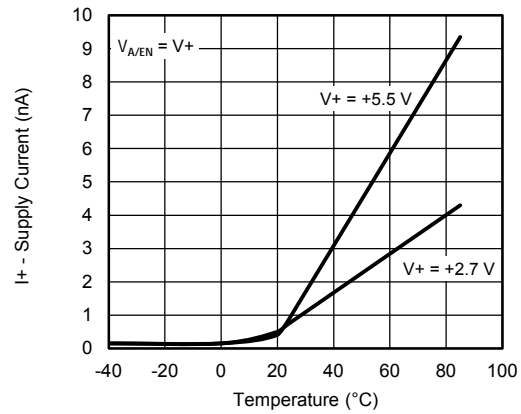
On-Resistance vs. Analog Voltage



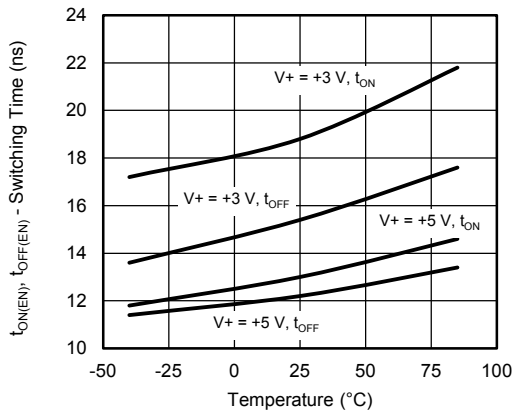
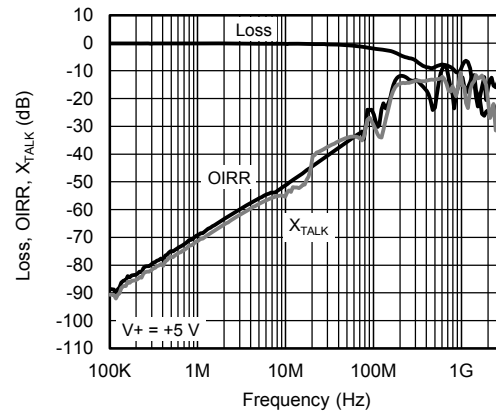
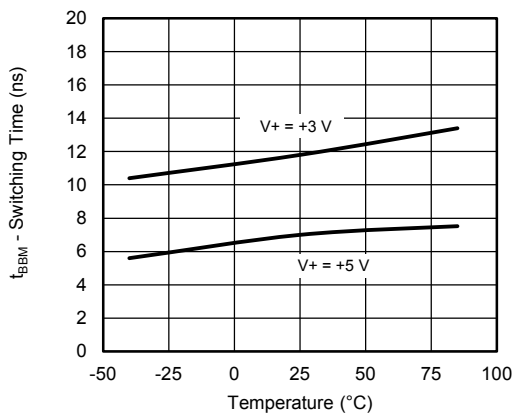
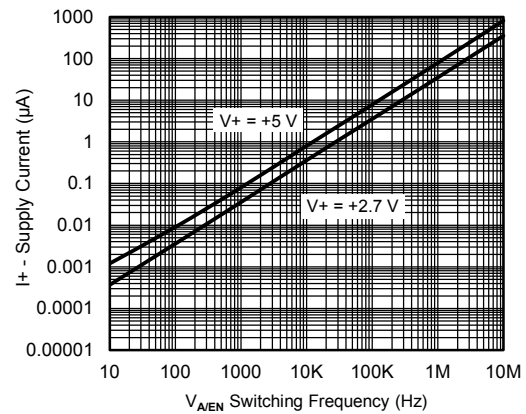
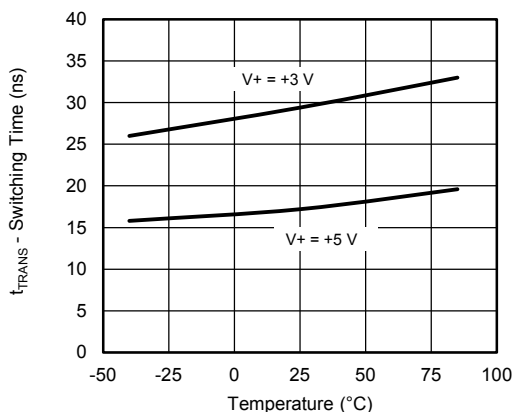
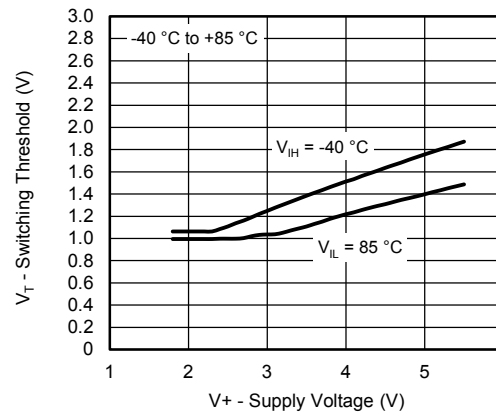
Leakage Current vs. Temperature

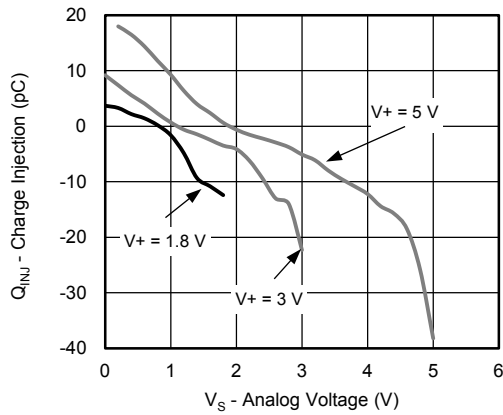
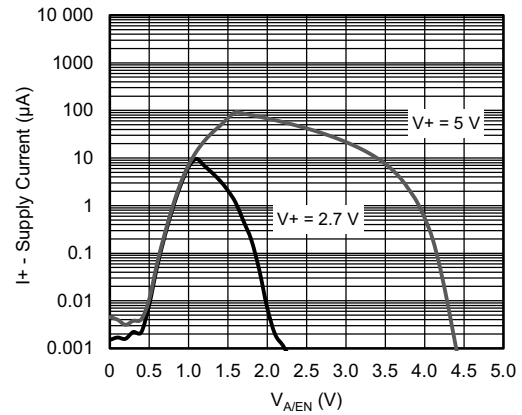
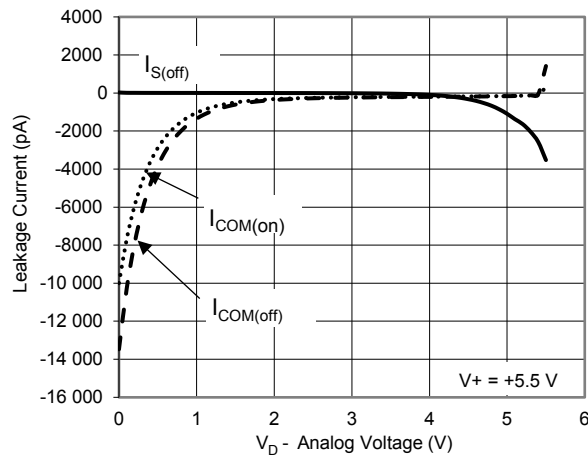


On-Resistance vs. Analog Voltage

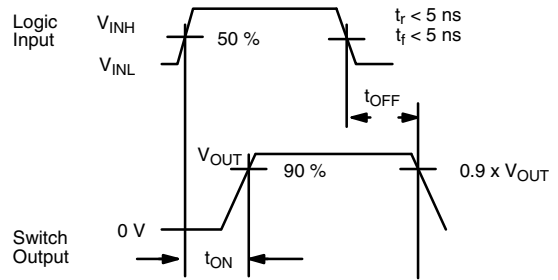
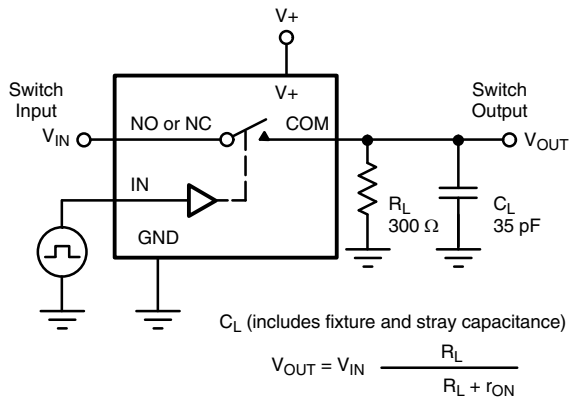


Supply Current vs. Temperature

TYPICAL CHARACTERISTICS (25 °C, unless otherwise noted)

Switching Time vs. Temperature

Loss, OIRR, X_{TALK} vs. Frequency

Switching Time vs. Temperature

Positive Supply Current vs. Switching Frequency

Switching Time vs. Temperature

Switching Threshold vs. Supply Voltage

TYPICAL CHARACTERISTICS (25 °C, unless otherwise noted)

Charge Injection vs. Source Voltage

Positive Supply Current vs. Logic Voltage

Leakage Current vs. Analog Voltage

TEST CIRCUITS



Note: Logic input waveform is inverted for switches that have the opposite logic sense control

Fig. 1 - Switching Time

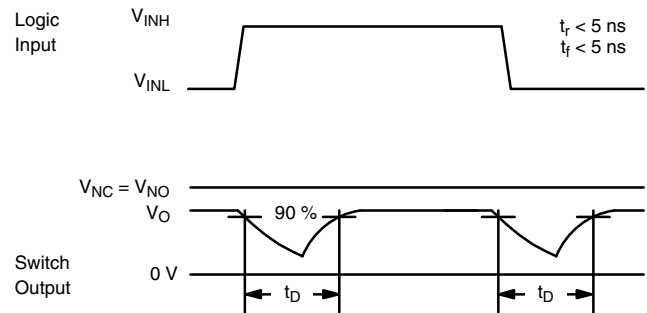
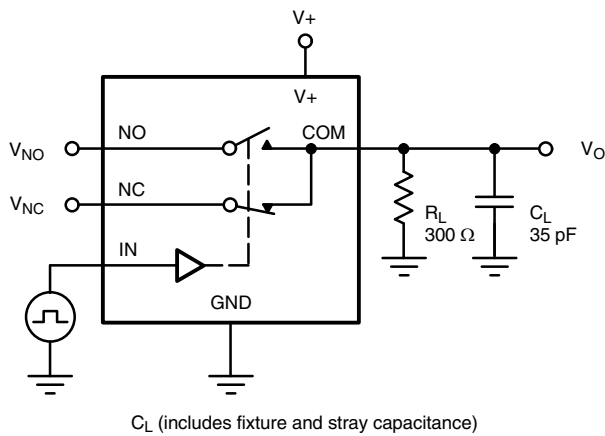


Fig. 2 - Break-Before-Make

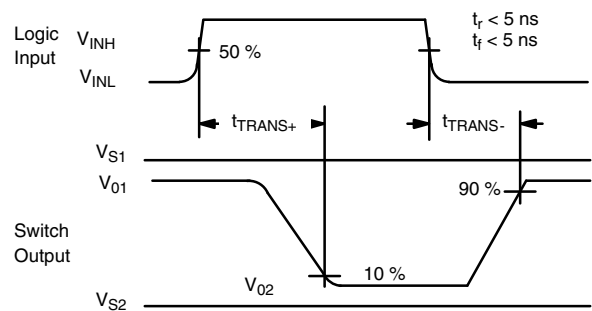
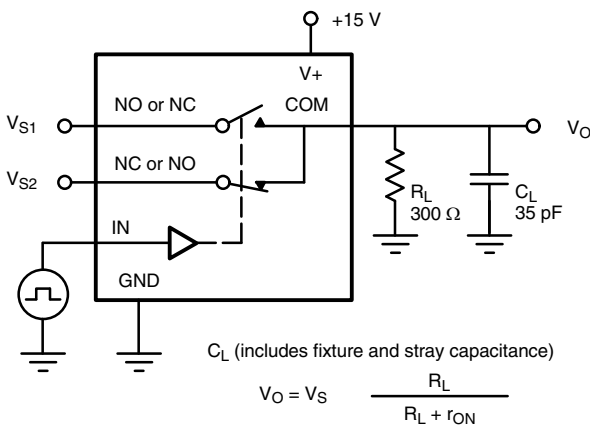
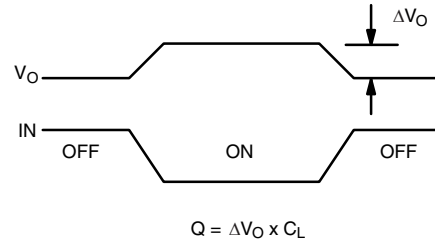
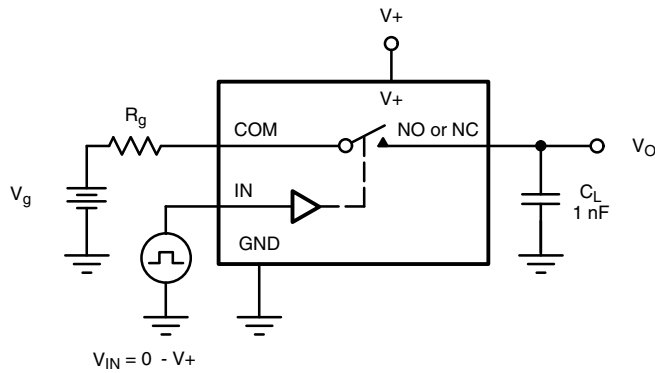


Fig. 3 - Transition Time

TEST CIRCUITS



IN dependent on switch configuration Input polarity determined by sense of switch.

Fig. 4 - Charge Injection

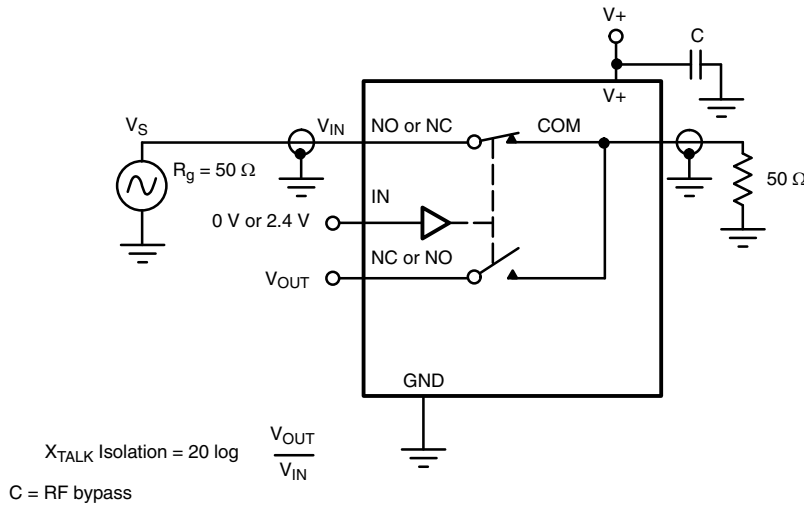


Fig. 5 - Crosstalk

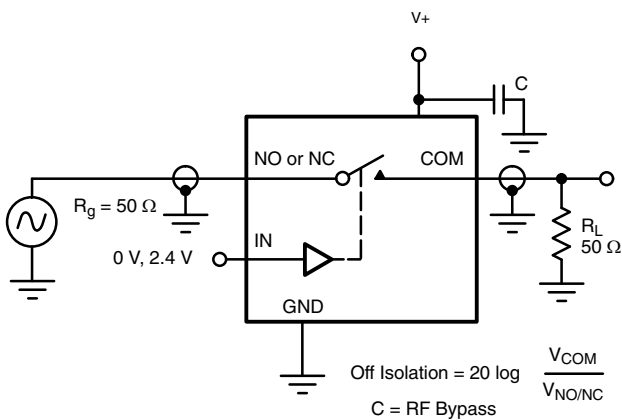


Fig. 6 - Off Isolation

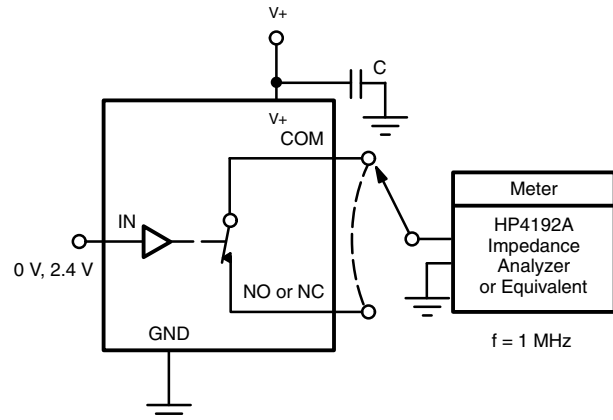
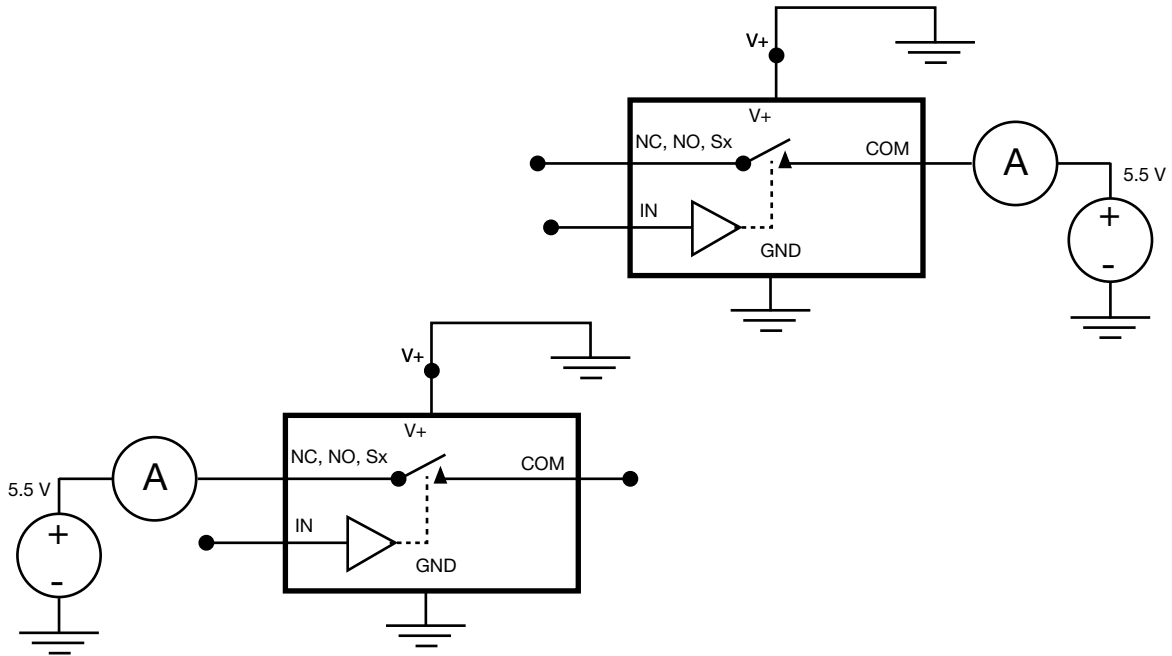


Fig. 7 - Source / Drain Capacitances

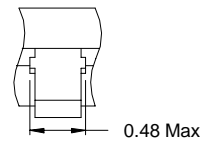
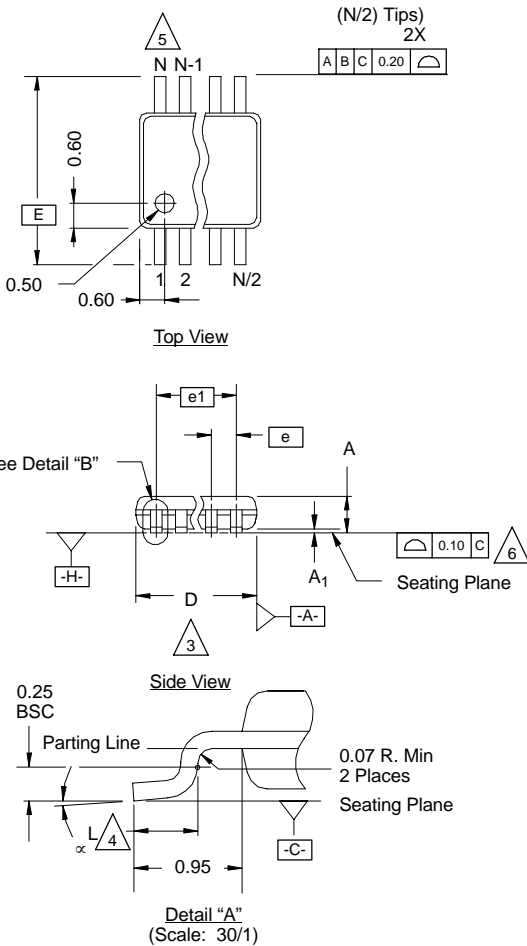
TEST CIRCUITS

Fig. 8 - Source / Drain Power Down Leakage

Vishay Siliconix maintains worldwide manufacturing capability. Products may be manufactured at one of several qualified locations. Reliability data for Silicon Technology and Package Reliability represent a composite of all qualified locations. For related documents such as package / tape drawings, part marking, and reliability data, see www.vishay.com/ppg?73172.

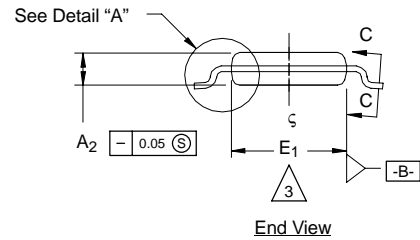
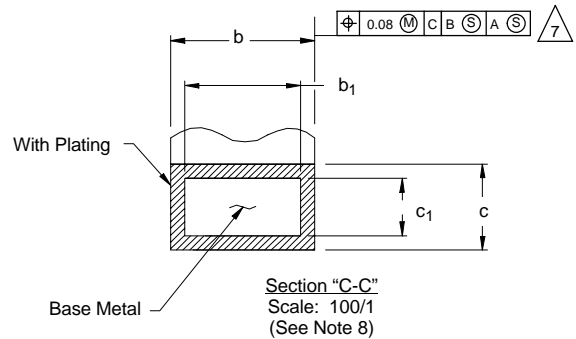


MSOP: 10-LEADS

JEDEC Part Number: MO-187, (Variation AA and BA)



Detail "B"
(Scale: 30/1)
Dambar Protrusion



NOTES:

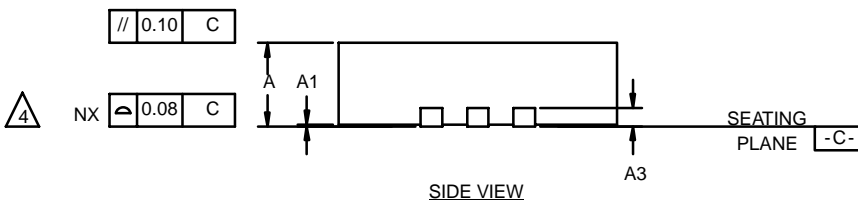
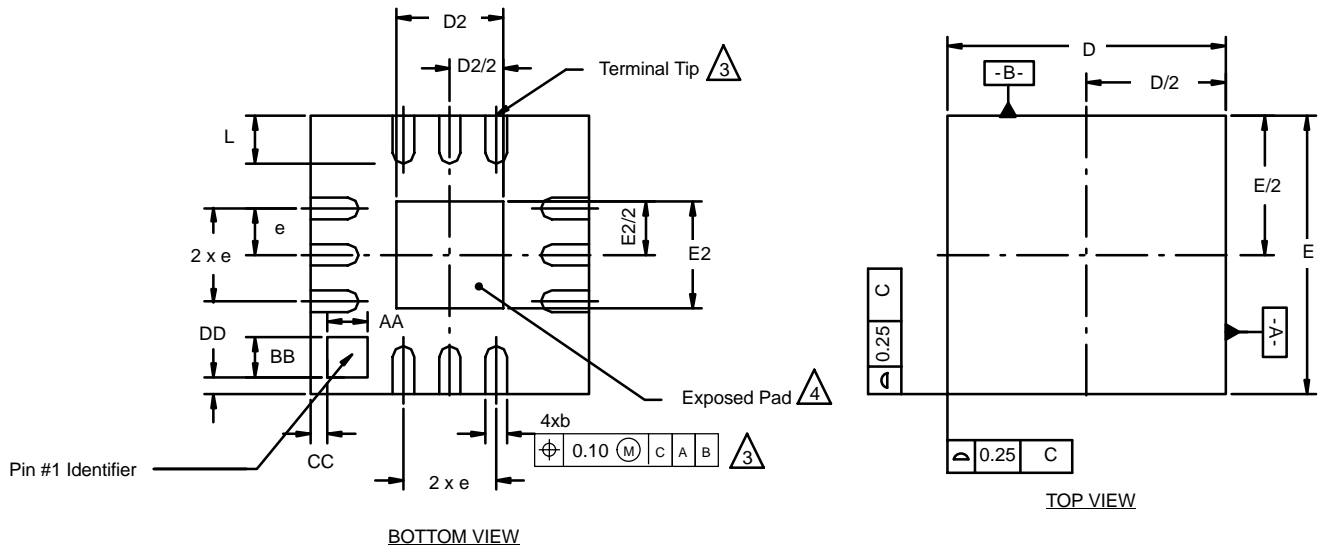
- Die thickness allowable is 0.203 ± 0.0127 .
- Dimensioning and tolerances per ANSI.Y14.5M-1994.
- Dimensions "D" and "E₁" do not include mold flash or protrusions, and are measured at Datum plane [-H-], mold flash or protrusions shall not exceed 0.15 mm per side.
- Dimension is the length of terminal for soldering to a substrate.
- Terminal positions are shown for reference only.
- Formed leads shall be planar with respect to one another within 0.10 mm at seating plane.
- The lead width dimension does not include Dambar protrusion. Allowable Dambar protrusion shall be 0.08 mm total in excess of the lead width dimension at maximum material condition. Dambar cannot be located on the lower radius or the lead foot. Minimum space between protrusions and an adjacent lead to be 0.14 mm. See detail "B" and Section "C-C".
- Section "C-C" to be determined at 0.10 mm to 0.25 mm from the lead tip.
- Controlling dimension: millimeters.
- This part is compliant with JEDEC registration MO-187, variation AA and BA.
- Datums [-A-] and [-B-] to be determined Datum plane [-H-].
- Exposed pad area in bottom side is the same as teh leadframe pad size.

N = 10L

Dim	MILLIMETERS			Note
	Min	Nom	Max	
A	-	-	1.10	
A ₁	0.05	0.10	0.15	
A ₂	0.75	0.85	0.95	
b	0.17	-	0.27	8
b ₁	0.17	0.20	0.23	8
c	0.13	-	0.23	
c ₁	0.13	0.15	0.18	
D	3.00 BSC			3
E	4.90 BSC			
E ₁	2.90	3.00	3.10	3
e	0.50 BSC			
e ₁	2.00 BSC			
L	0.40	0.55	0.70	4
N	10			5
α	0°	4°	6°	
ECN: T-02080—Rev. C, 15-Jul-02 DWG: 5867				



QFN-12 LEAD (3 X 3)



NOTES:

1. All dimensions are in millimeters.
2. N is the total number of terminals.
3. Dimension b applies to metallized terminal and is measured between 0.25 and 0.30 mm from terminal tip.
4. Coplanarity applies to the exposed heat sink slug as well as the terminal.
5. The pin #1 identifier may be either a mold or marked feature, it must be located within the zone indicated.

Dim	MILLIMETERS			INCHES		
	Min	Nom	Max	Min	Nom	Max
A	0.80	0.90	1.00	0.032	0.035	0.039
b	0.18	0.23	0.30	0.007	0.009	0.012
D	3.00 BSC			0.118 BSC		
D2	1.00	1.15	1.25	0.039	0.045	0.049
E	3.00 BSC			0.118 BSC		
E2	1.00	1.15	1.25	0.039	0.045	0.049
e	0.50 BSC			0.02 BSC		
L	0.45	0.55	0.65	0.018	0.022	0.026
AA	0.435			0.017		
BB	0.435			0.017		
CC	0.18			0.007		
DD	0.18			0.007		
ECN: C-03092—Rev. A, 14-Apr-03 DWG: 5898						



Disclaimer

ALL PRODUCT, PRODUCT SPECIFICATIONS AND DATA ARE SUBJECT TO CHANGE WITHOUT NOTICE TO IMPROVE RELIABILITY, FUNCTION OR DESIGN OR OTHERWISE.

Vishay Intertechnology, Inc., its affiliates, agents, and employees, and all persons acting on its or their behalf (collectively, "Vishay"), disclaim any and all liability for any errors, inaccuracies or incompleteness contained in any datasheet or in any other disclosure relating to any product.

Vishay makes no warranty, representation or guarantee regarding the suitability of the products for any particular purpose or the continuing production of any product. To the maximum extent permitted by applicable law, Vishay disclaims (i) any and all liability arising out of the application or use of any product, (ii) any and all liability, including without limitation special, consequential or incidental damages, and (iii) any and all implied warranties, including warranties of fitness for particular purpose, non-infringement and merchantability.

Statements regarding the suitability of products for certain types of applications are based on Vishay's knowledge of typical requirements that are often placed on Vishay products in generic applications. Such statements are not binding statements about the suitability of products for a particular application. It is the customer's responsibility to validate that a particular product with the properties described in the product specification is suitable for use in a particular application. Parameters provided in datasheets and / or specifications may vary in different applications and performance may vary over time. All operating parameters, including typical parameters, must be validated for each customer application by the customer's technical experts. Product specifications do not expand or otherwise modify Vishay's terms and conditions of purchase, including but not limited to the warranty expressed therein.

Except as expressly indicated in writing, Vishay products are not designed for use in medical, life-saving, or life-sustaining applications or for any other application in which the failure of the Vishay product could result in personal injury or death. Customers using or selling Vishay products not expressly indicated for use in such applications do so at their own risk. Please contact authorized Vishay personnel to obtain written terms and conditions regarding products designed for such applications.

No license, express or implied, by estoppel or otherwise, to any intellectual property rights is granted by this document or by any conduct of Vishay. Product names and markings noted herein may be trademarks of their respective owners.