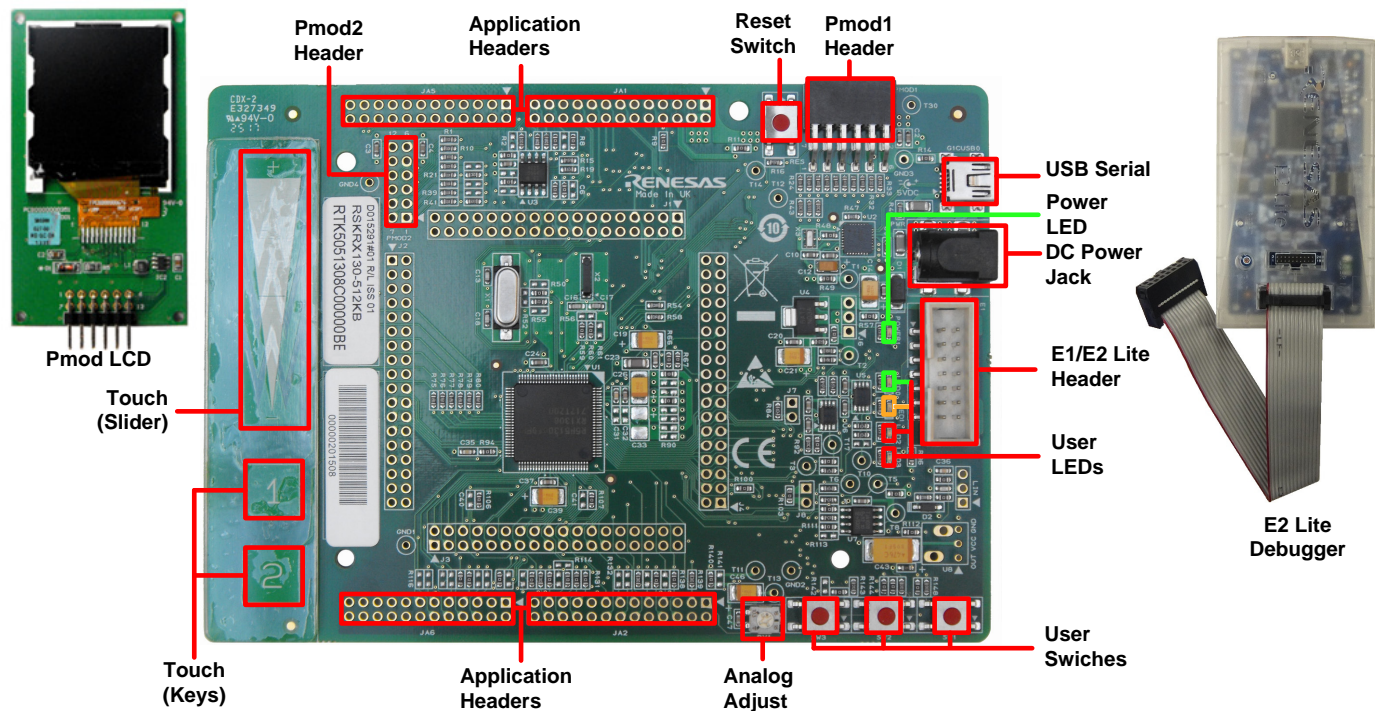


Quick Start Renesas Starter Kit for RX130-512KB



NOTE: This Quick Start Guide covers installation of the CS+ DVD.

1. Installation

Do not connect the E2 Lite debugger module until the software support has been installed.

Internet access is required during the installation process.

1. Insert the DVD into your computer's DVD-ROM drive. The DVD should automatically run the installation program. If the installer does not start, browse to the DVD root folder and double click on 'CsPlusLauncher.exe'.
2. Windows™ 10 / 8.1 / 8 / 7 users may see a "User Account Control" dialog box. If applicable, enter the administrator password and click 'Yes'.
3. The pre-installer will first check that the CS+ prerequisites are present, and install any that are missing. Click 'Install' if prompted to. *You will be prompted to obtain a product activation code by logging onto the My Renesas website. Please follow the on screen instructions.*
4. The CS+ installer will launch. Click 'Next' to continue.
5. The End User License Agreement appears. Read the license and select 'Accept' if you wish to continue. Click 'Next'.
6. The 'Select Components' window appears. Review the components by selecting each component in turn. Click 'Next' to continue.
7. The 'Installation Settings Confirmation' window appears. Review the information and click 'Next' to begin installation.
8. The 'Installation Execution' window will appear showing the installation progress.
Note: The Windows™ driver signing dialog box may be displayed. Please accept the driver to continue.
9. After the installation has completed, click 'Next'.
10. Uncheck 'Launch Update Manager', then click 'Finish' to exit the installer.
Note: It is recommended to run the CS+ Update Manager and install updates after completion of this guide.

RENESAS

2. Connection

11. Ensure the PMOD LCD is fitted to the connector marked 'PMOD1' on the RSK.
12. Connect the E2 Lite debugger module to the connector marked 'E1' on the RSK using the ribbon cable.
13. Connect the E2 Lite debugger module to a spare USB port of your PC. The green 'ACT' LED on the E2 Lite debugger will flash.
14. The E2 Lite debugger drivers will now be installed. Note that, this may take up to a minute and administrator privileges will be required.

Windows™ 7

"Device driver software installed successfully" pop-up will appear in the Windows™ Taskbar and installation will complete.

Windows™ 8.1 / 8

An icon will appear in the Windows™ Taskbar and installation will complete.

Windows™ 10

A Windows™ taskbar buttons of "Device Setup" will appear in the Windows™ Taskbar and installation will complete.

3. CS+ Project

CS+ integrates various tools such as compiler, assembler, debugger and editor into a common graphical user interface. To learn more on how to use CS+, refer to the CS+ Tutorial manual from the menu bar (Help > Tutorial).

Other CS+ manuals are available:


Windows™ 7: Start Menu > All Programs > Renesas Electronics CS+ > Readme Documents > RSK > RSKRX130-512KB

Windows™ 8.1 & 8: From Apps View , all documents are under "Renesas Electronics CS+"

Windows™ 10: Start Menu > All Apps > Renesas Electronics CS+ >

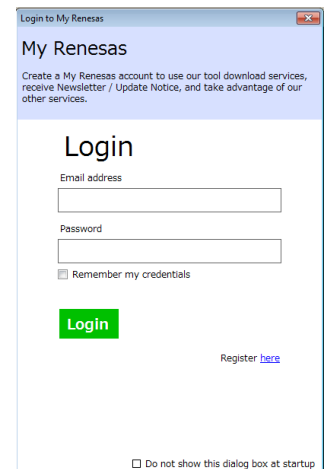
15. Launch CS+:

Windows™ 7: Start Menu > All Programs > Renesas Electronics CS+ > CS+ for CC (RL78, RX, RH850)

Windows™ 8.1 & 8: From Apps View , click 'CS+ for CC (RL78, RX, RH850)' icon

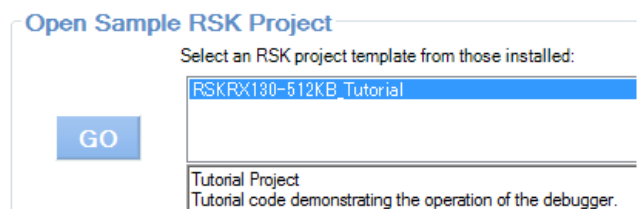
Windows™ 10: Start Menu > All Apps > Renesas Electronics CS+ > CS+ for CC (RL78, RX, RH850)

When logging in for the first time, the login screen for "My Renesas" is displayed as shown on the right. Please enter your email address and password and click the login button.



16. The 'One Point Advice' dialog box, which provides useful tips, will open. Click 'OK'.

17. The Start panel will appear. Select the 'RSKRX130-512KB_Tutorial' project under the 'Open Sample RSK Project' entry and click 'GO'.



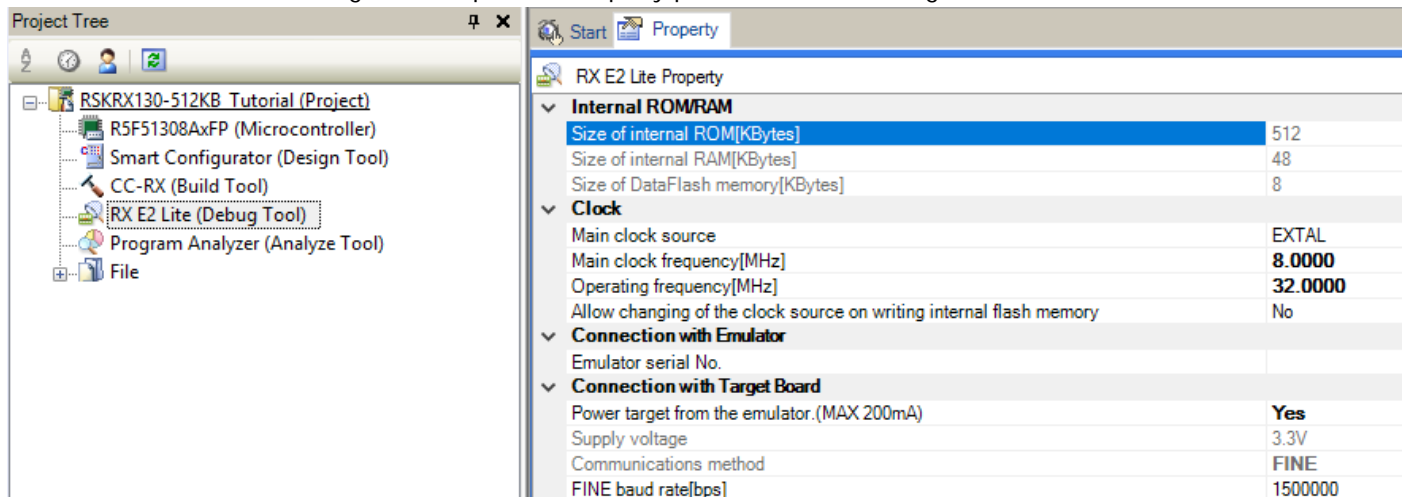
18. In the "Create Project" dialog box that follows, specify a name for the project. Leave the list of subprojects unselected.

19. Click "Create" to launch the main Tutorial project.

20. If asked to create the project folder, click 'OK'.

4. Programming and Debug

21. Double-click on the Debug Tool to open the Property pane, 'Connect Settings' tab.



The screenshot shows the IDE interface. On the left is the Project Tree with the following items: RSKRX130-512KB Tutorial (Project), R5F51308AxFP (Microcontroller), Smart Configurator (Design Tool), CC-RX (Build Tool), RX E2 Lite (Debug Tool) (highlighted with a dashed box), Program Analyzer (Analyze Tool), and File. On the right is the Property pane for 'RX E2 Lite Property' with the 'Connect Settings' tab selected. The pane is organized into sections: Internal ROM/RAM, Clock, Connection with Emulator, and Connection with Target Board. The 'Connection with Emulator' section is expanded, showing 'Emulator serial No.' as empty. The 'Connection with Target Board' section is also expanded, showing 'Power target from the emulator.(MAX 200mA)' set to 'Yes', 'Supply voltage' at '3.3V', 'Communications method' as 'FINE', and 'FINE baud rate[bps]' at '1500000'.

Property	Value
Internal ROM/RAM	
Size of internal ROM[KBytes]	512
Size of internal RAM[KBytes]	48
Size of DataFlash memory[KBytes]	8
Clock	
Main clock source	EXTAL
Main clock frequency[MHz]	8.0000
Operating frequency[MHz]	32.0000
Allow changing of the clock source on writing internal flash memory	No
Connection with Emulator	
Emulator serial No.	
Connection with Target Board	
Power target from the emulator.(MAX 200mA)	Yes
Supply voltage	3.3V
Communications method	FINE
FINE baud rate[bps]	1500000

22. Verify that the option to 'Power target from the emulator' is set to 'Yes'.

23. Build the project by clicking on the Build Project button.



24. Download the code to the microcontroller by clicking on the download button.



25. Click the 'Restart' button to reset the CPU and start program execution.



26. The LCD will display "RSKRX130-512KB", "Tutorial" and "Press Any Switch" on the first three lines of the panel.

27. Press any switch (SW1, SW2 or SW3). An A/D conversion will be performed and the result will be displayed on the LCD panel.

28. Rotate the Potentiometer Control and press any switch again. A new A/D conversion will be performed and the count of A/D conversions will be displayed in binary form using LEDs 0-3.

29. Click the 'Stop' button.



The code will stop and the source code will be opened at the current program counter.

30. To end the debug session, click the disconnect button.



5. Next Step

After you have completed this quick start procedure, please review the tutorial code and sample code that came with the kit. You can review other samples by selecting sub-projects during the Open Sample RSK Project step(step 17) and setting the required project as active in the Project Tree. The Tutorial Manuals will help you understand the device and the development process using Renesas Development Tools.

Please refer to "description.txt" in each sample project for sample code specification and operating procedure.

The Hardware Manual supplied with this RSK is current at the time of publication. Please check for any updates to the device manual from the Renesas internet site at: <https://www.renesas.com/rskrx130-512kb>

6. Touch Demonstration Project

The RSKRX130 includes a simple demonstration project to showcase the touch functionality of the RX130 device. As a customer touch project is dependant not only on the embedded code, but also on a PC tuning application that is specific to the selected compiler and IDE, please find more detail from:

Americas/Europe

<https://www.renesas.com/en-us/solutions/key-technology/human-interface/touch-sensor-system2.html>

Japan/Asia

<https://www.renesas.com/ja-jp/solutions/key-technology/human-interface/touch-sensor-system2.html>

7. Renesas RX Compiler

The version of the compiler provided with this RSK is fully functional for 60 days and then code size limited to 128Kbytes of Code and Data. This restriction can be removed by purchasing a licenced copy of the tools.

8. User Manuals

User manuals can found in the following locations:

Windows™ 7: Start Menu > All Programs > Renesas Electronics CS+ > Readme Documents > RSK > RSKRX130-512KB

Windows™ 8.1 & 8: From Apps View (↓), all documents are under "Renesas Electronics CS+"

Windows™ 10: Start Menu > All Apps > Renesas Electronics CS+

9. Support

Online technical support and information is available at: <https://www.renesas.com/rskrx130-512kb>

Technical Contact Details

Global & Japan: <https://www.renesas.com/support/contact.html>

Note on Update Manager: The Update Manager checks via the Internet for any updated resources available for each installed CS+ tool and downloads and installs them to simplify the update process. It is recommended to run the Update Manager and check for updates regularly.

© 2017 Renesas Electronics Europe Limited. All rights reserved

© 2017 Renesas Electronics Corporation. All rights reserved.

© 2017 Renesas System Design Co., Ltd. All rights reserved.

Website: <https://www.renesas.com/>