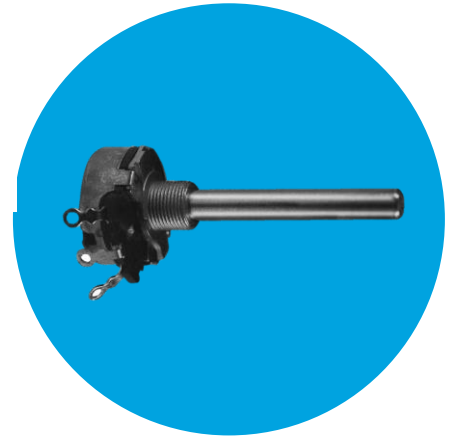


Carbon composition film single turn rotary potentiometers

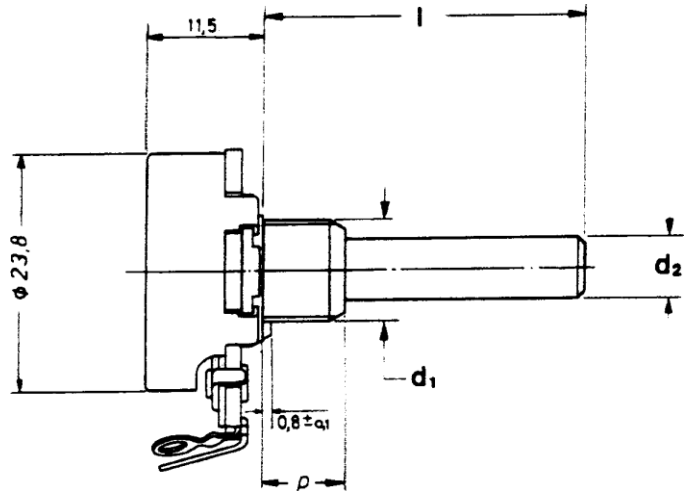
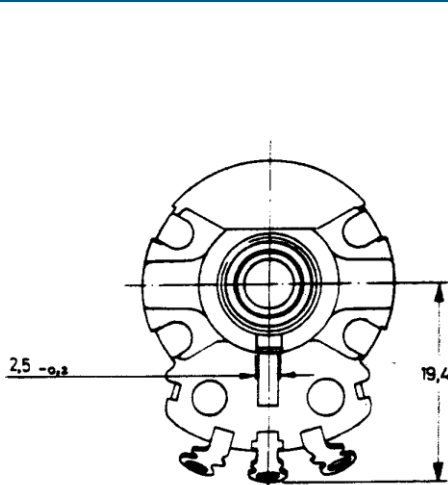


Series 45

Type 45

Ordering code no.: 00 215

Basic design: encased, laminate base,
nominal width 24 mm, soldering tags



Technical data

Rated resistance range	470 Ω - 1 MΩ	Electrical travel	270° ± 5°
Resistance tolerance	± 20 % ≤ 1 MΩ; ± 30 % > 1 MΩ	Mechanical travel	300° ± 5° ; 320° ± 5° with switch
Law (resistance taper)	lin (470 Ω - 1 MΩ) lg (1 kΩ - 1 MΩ)	Operating torque	0.7 - 3.6 Ncm
Rated dissipation	0.5 W / 40 °C (lin) 0.25 W / 40 °C (lg)	End stop torque	min. 113 Ncm
Limiting element voltage	500 V	Durability	10 000 cycles
Isolation voltage	1.5 kV	Taps	at 40 %, 50 % or 60 % of total travel
Insulation resistance	> 5 GΩ	Main switch	AR, 1pole or 2pole
Temperature range	-25 °C to +70 °C	Spindle	plastic (standard) or metal (see table)
Temperature coefficient	± 500 ppm / °C		

l (mm)	p (mm)	d ₂ (mm)	d ₁
standard 50	standard 8, 10 or 12 on request	6	M10 x 0,75