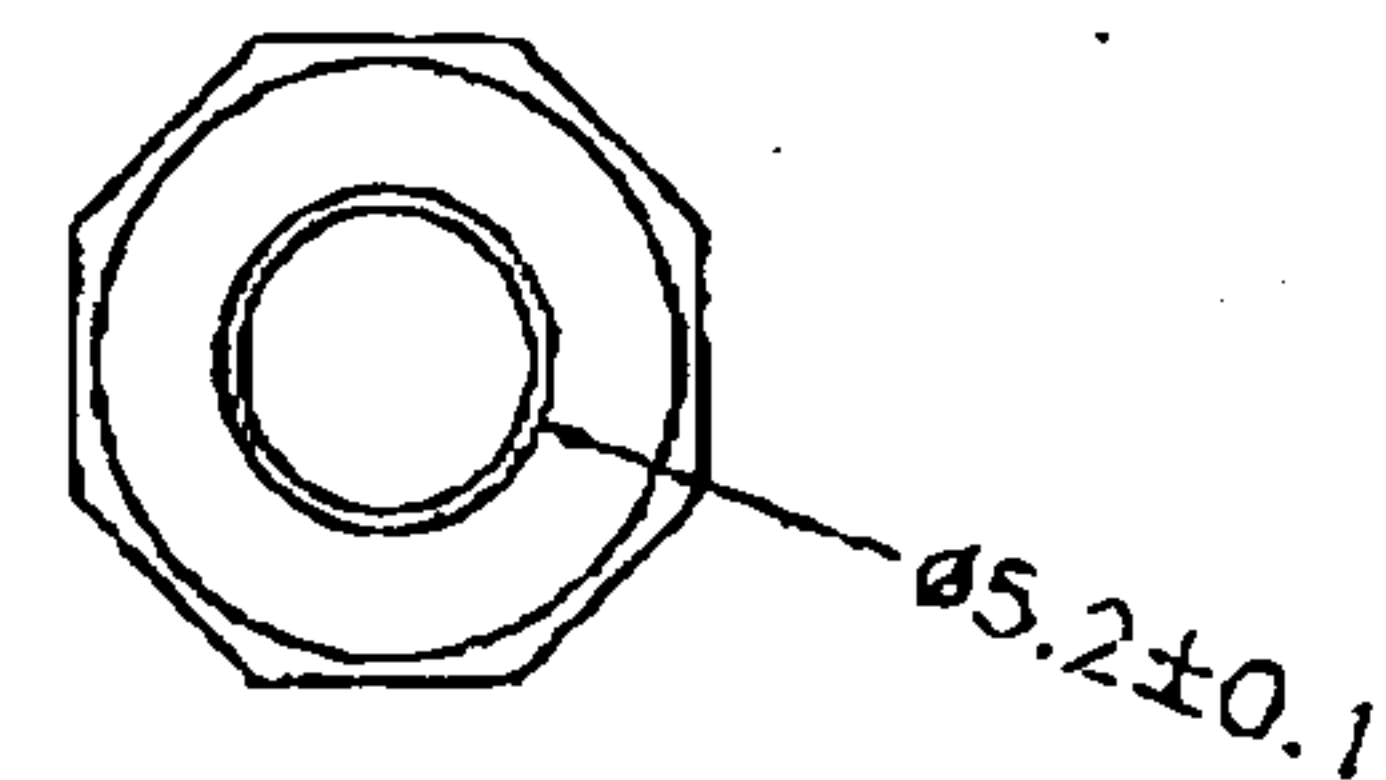
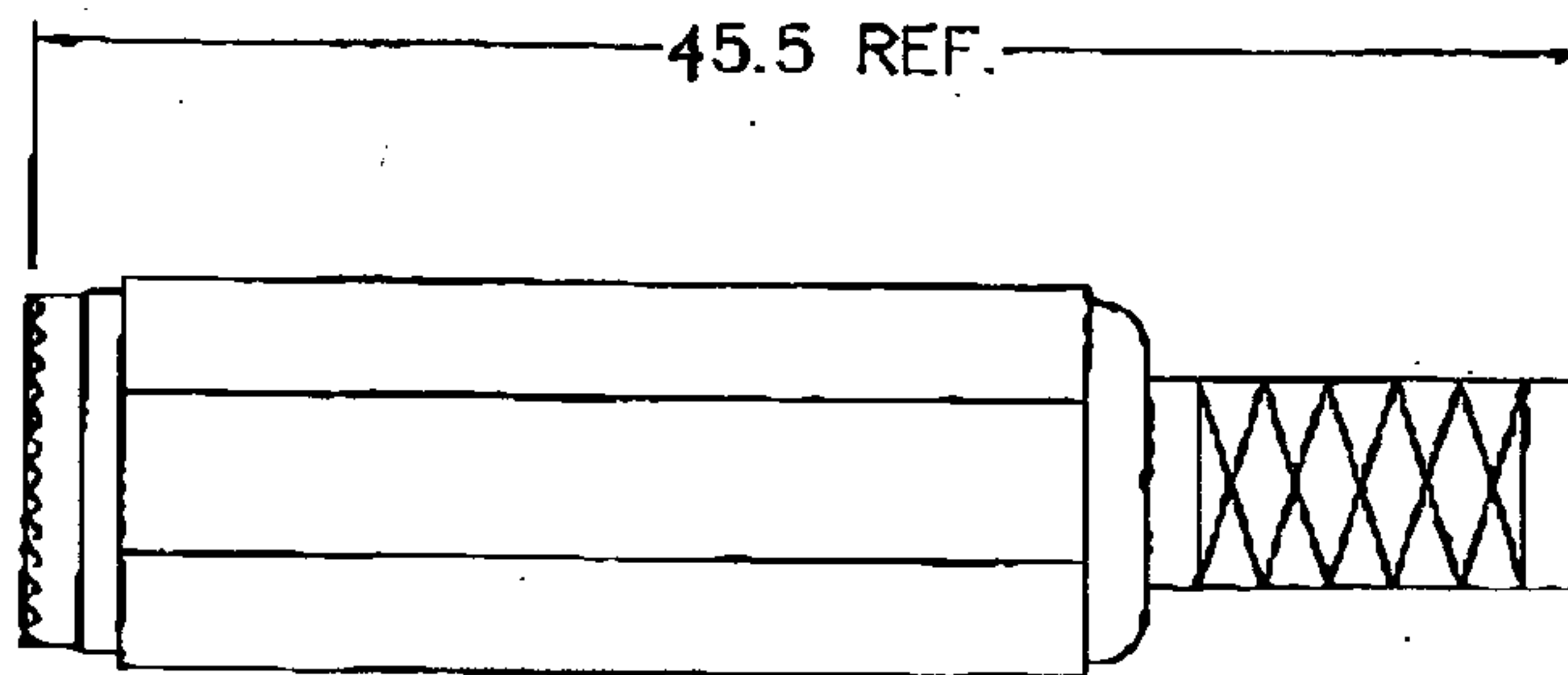
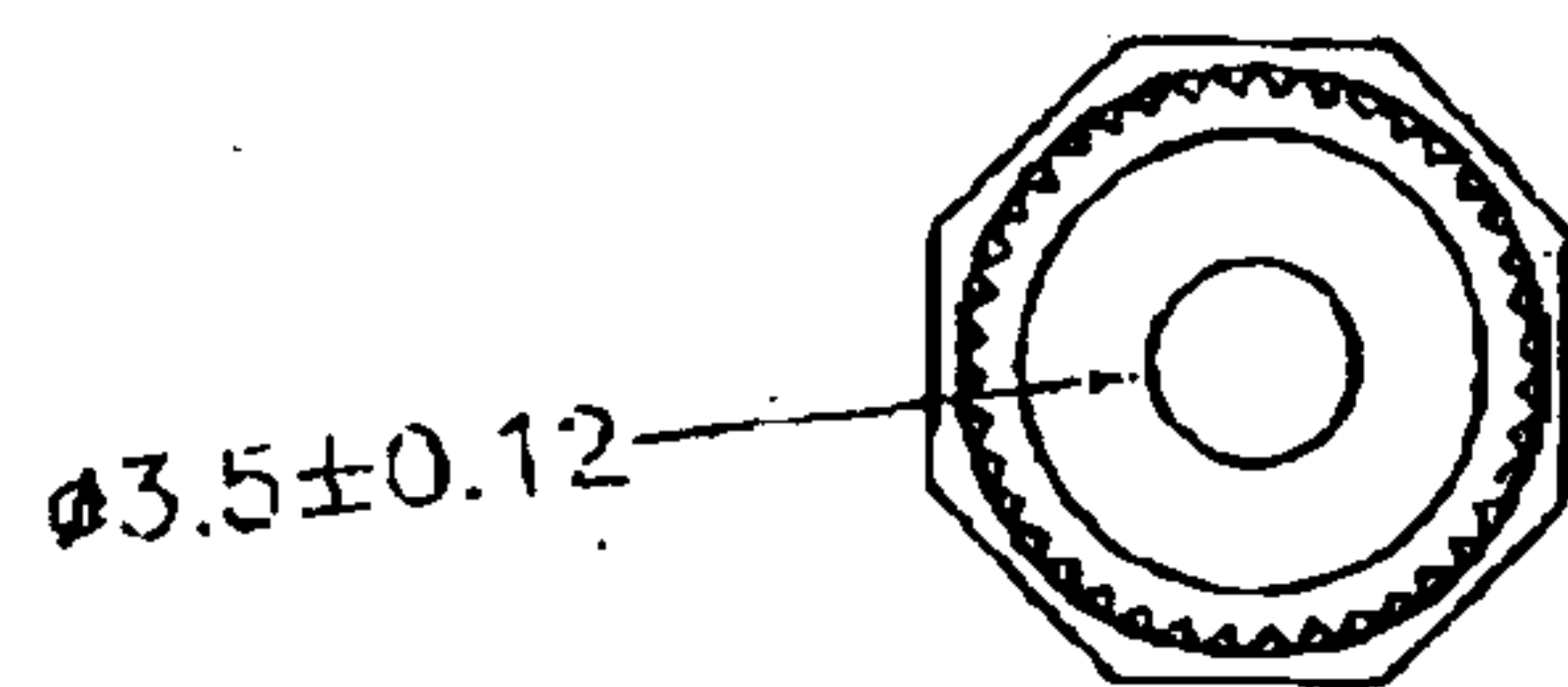
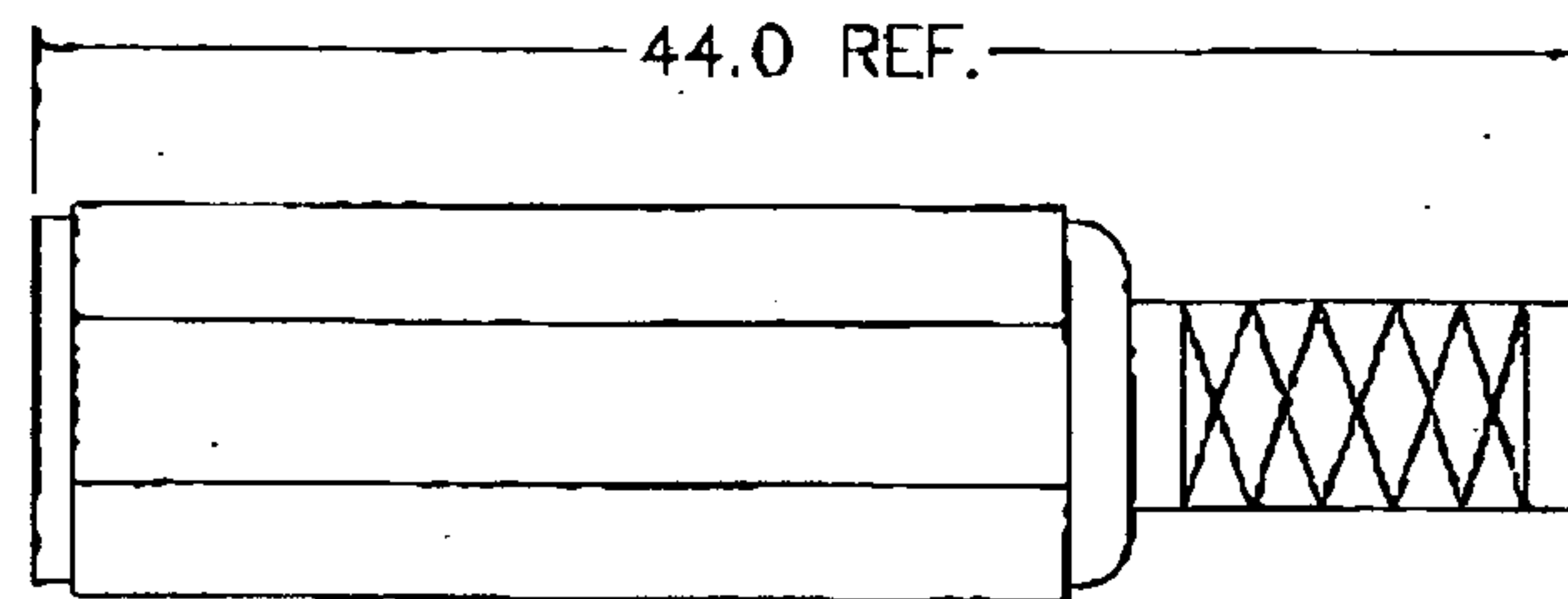
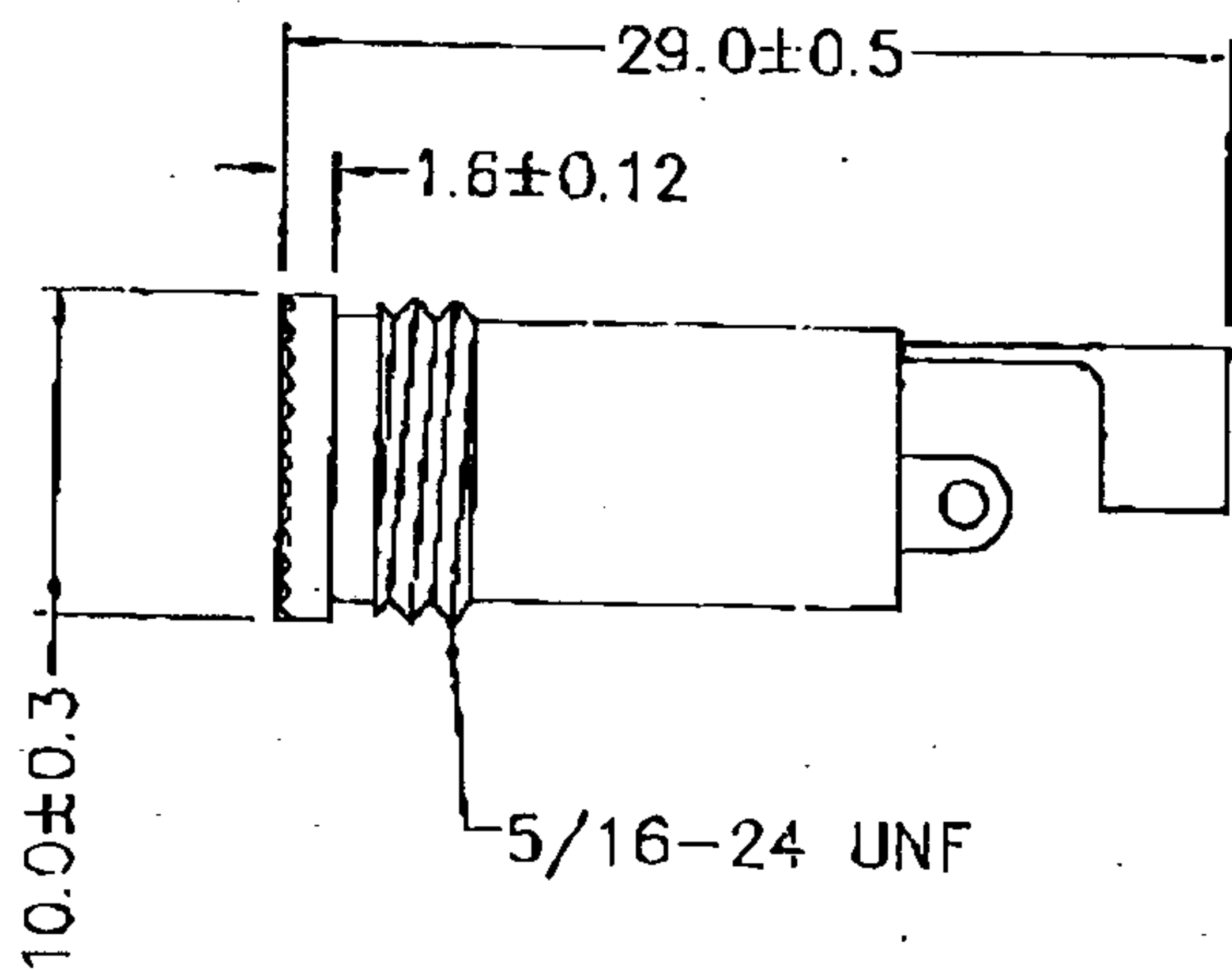


CUSTOMER

FILE NO.

THIS DRAWING AND SPECIFICATIONS HEREIN ARE THE CONFIDENTIAL PROPERTY OF SAMSUNG AND SHALL NOT BE REPRODUCED OR COPIED OR DISCLOSED BY ORAL OR IN PRINT WITHOUT WRITTEN PERMISSION.

REV.	DESCRIPTION	DRAWN/DATE	APPROVED/DATE
0	INITIAL RELEASE	YANG 03/20/2006	



MATERIAL

- 1. METAL: BRONZE, NICKEL-PLATED
- 2. HANDLE: PE, BLACK
- 3. INSULATOR: ABS

DIMENSIONS ARE IN mm (INCH)	TOLERANCES ARE FRACTIONS DECIMALS ANGLES .X ±0.2 [0.008] .XX ±0.12 [0.005]	MATERIAL FINISH COLOR	3.5mm IN-LINE JACK STEREO TYPE W/C.R. (RoHS)	P/N PROJECT NO. SCALE 2:1 SIZE A4 SHEET 1 OF 1	DRAWN YANG DATE 03/20/2006
--------------------------------	---	-----------------------------	--	--	-------------------------------

42-700-96