

ABS D 65 G



Sample image

Order symbol : ABS D 65 G

Product nr : 8784307

Description : Enclosure, ABS

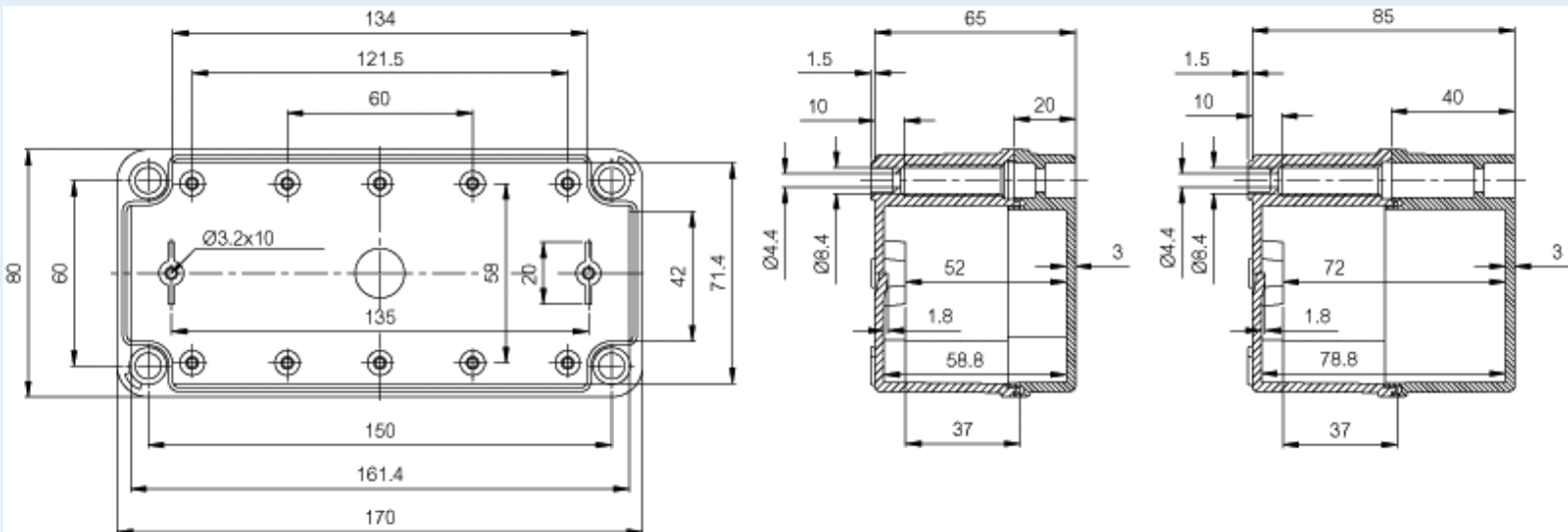
Remarks : Grey cover

EAN : 6418074002150

El. number :

- Finland : 3423459
- Denmark : 8212001886
- Sweden : 2536714

Including : Base with screws for mounting plate/DIN-rail. cover with PUR gasket and polyamide cover screws.



Dimensions :	Height	Width	Depth
mm :	170	80	65
inch :	6.69	3.15	2.56

Accessories :

- FP 22040 Wall fastening lug (2 pcs), for enclosures:
- DH-3 DIN-35 Mounting rail, for enclosures:
(140 x 35 x 1)
- D-MP Mounting plate, for enclosures:
(140 x 54 x 1)

Materials :

Material :	ABS
Base colour :	RAL 7035 -light grey
Cover colour :	RAL 7035 -light grey
Gasket material :	Polyurethane

Temperatures :

Temperature °C (short term) :	-40 ... 80
Temperature °C (continuous) :	
Temperature °F (short term) :	-40 ... 175
Temperature °F (continuous) :	-40 ... 140

Rating :

Ingress protection (EN 60529):	IP66; IP67;
Impact Resistance (EN 62262):	IK08;
Electrical insulation :	Totally insulated
Halogen free (DIN/VDE 0472, Part 815):	1
UV resistance :	-
Flammability Rating :	UL 94 HB
Glow Wire Test (IEC 695-2-1) °C :	650 °C
NEMA Class	

Certificates :

SGSFIMKO_PICC_pc