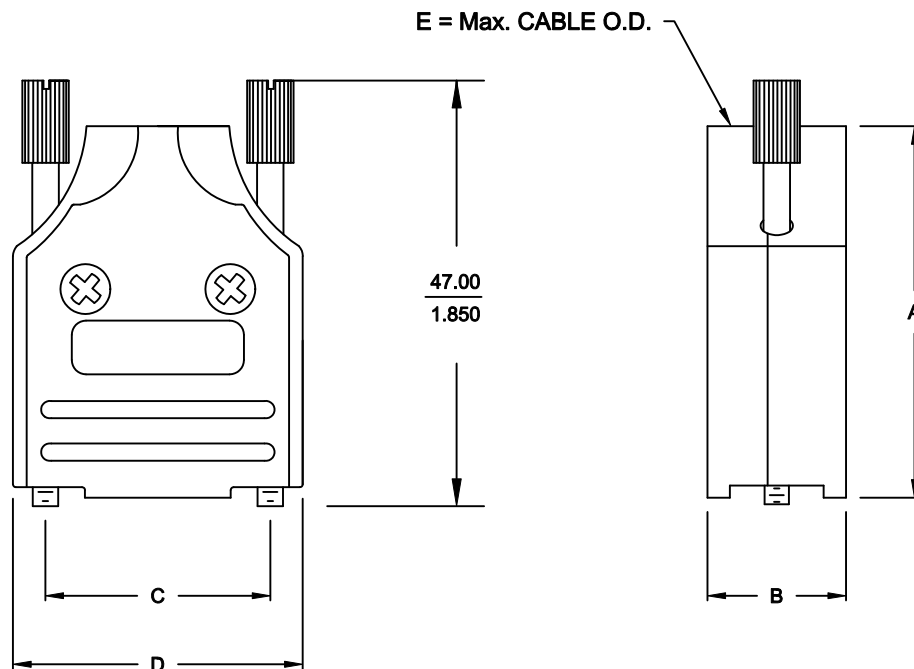


# BACKSHELL KIT INCLUDES:

- (2) BACKSHELL HALVES
- (2) STRAIN RELIEF CLAMPS
- (2) STRAIN RELIEF SCREWS
- (2) MOUNTING SCREWS
- (2) THUMBSCREWS
- (1) SET METALIZED PLASTIC INSERTS - VARIOUS SIZES,  
6.2mm (0.244"), 8.2mm (0.323"), 10.2mm (0.402")

| DIMENSIONS (mm/in) |                             |                             |                             |                             |       |
|--------------------|-----------------------------|-----------------------------|-----------------------------|-----------------------------|-------|
| SIZE:              | A $\pm 0.25$<br>$\pm 0.010$ | B $\pm 0.25$<br>$\pm 0.010$ | C $\pm 0.13$<br>$\pm 0.005$ | D $\pm 0.25$<br>$\pm 0.010$ | E     |
| 09                 | 41.30                       | 15.39                       | 24.99                       | 32.21                       | 13.00 |
|                    | 1.626                       | 0.606                       | 0.984                       | 1.268                       | 0.512 |
| 15                 | 43.31                       | 15.39                       | 33.32                       | 40.59                       | 13.00 |
|                    | 1.705                       | 0.606                       | 1.312                       | 1.598                       | 0.512 |
| 25                 | 49.50                       | 15.39                       | 47.04                       | 54.51                       | 13.00 |
|                    | 1.949                       | 0.606                       | 1.852                       | 2.146                       | 0.512 |
| 37                 | 54.31                       | 15.39                       | 63.50                       | 70.69                       | 13.00 |
|                    | 2.138                       | 0.606                       | 2.500                       | 2.783                       | 0.512 |



## ORDERING INFORMATION:

| SIZE:  | P/N - KITTED: | PRODUCT CODE: |
|--------|---------------|---------------|
| 9-WAY  | 6560-0136-01  | MHDM-09-K     |
| 15-WAY | 6560-0136-02  | MHDM-15-K     |
| 25-WAY | 6560-0136-03  | MHDM-25-K     |
| 37-WAY | 6560-0136-04  | MHDM-37-K     |

| SIZE:  | P/N - BULK:  | PRODUCT CODE: |
|--------|--------------|---------------|
| 9-WAY  | 6561-0136-01 | MHDM-09       |
| 15-WAY | 6561-0136-02 | MHDM-15       |
| 25-WAY | 6561-0136-03 | MHDM-25       |
| 37-WAY | 6561-0136-04 | MHDM-37       |

## SPECIFICATION:

- BACKSHELL: MATERIAL: DIE CAST ZINC  
NICKEL PLATED
- COMPRESSION INSERT: ABS - UL RECOGNIZED
- 4-40 THUMBSCREWS: STEEL - Zn PLATED
- HOUSING SCREWS: STEEL - Zn PLATED
- STRAIN RELIEF CLAMP: STEEL - NICKEL PLATED
- STRAIN RELIEF SCREWS: STEEL - Zn PLATED
- OPERATING TEMP: -40°C TO +120°C

THESE DRAWINGS AND SPECIFICATIONS ARE THE PROPERTY OF MH CONNECTORS LTD. AND SHALL NOT BE REPRODUCED, COPIED OR USED AS THE BASIS FOR THE MANUFACTURE OR SALE OF APPARATUS WITHOUT WRITTEN PERMISSION.

|            |          |
|------------|----------|
| DRAWN      | DATE     |
| P. JENKINS | 03-14-12 |

|          |          |
|----------|----------|
| APPROVED | DATE     |
| D. CROFT | 03-14-12 |

|       |       |    |      |
|-------|-------|----|------|
| SCALE | SHEET | OF | REV: |
| NTS   | 1     | 1  | A    |

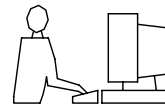
DRAWING No  
MHDM SERIES

# RoHS COMPLIANT



## MH CONNECTORS LTD.

THIS IS A C.A.D. GENERATED DRAWING  
DO NOT MAKE MANUAL REVISIONS TO MASTER.



\* UNLESS OTHERWISE SPECIFIED TOLERANCES  
ON DECIMAL IS: ANGLE ± 1°  
.X ± 0.15  
.XX ± 0.05

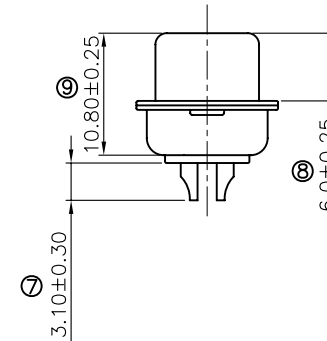
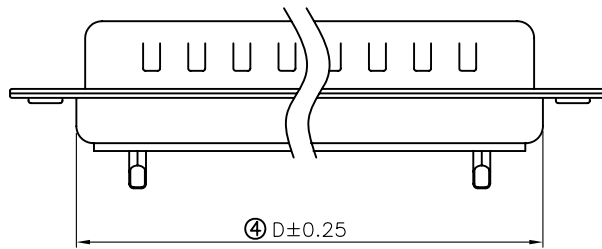
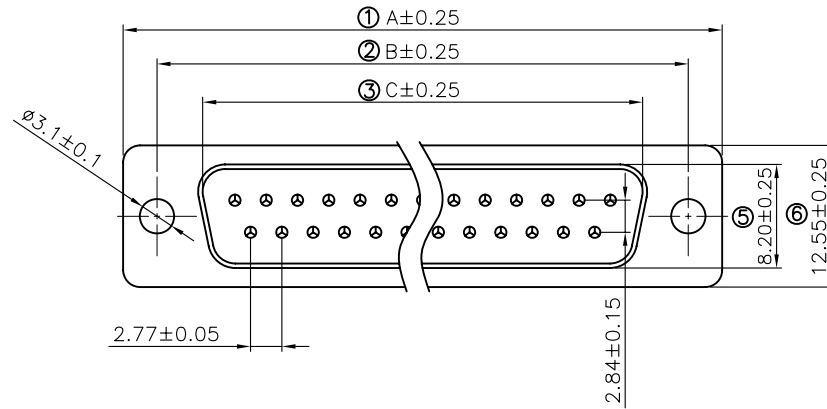
Remark:

1.SPECIFICATION:

Rated voltage:250V  
Rates current:5AMP  
Contact resistance:20MΩ MAX  
Insulation resistance:1000MΩ MIN.at 500V DC  
Withstand voltage:500V Per minute  
Temperature range:-55 -105°C

2.MATERIAL:

Plastic:PBT+30% G.F (UL94V-0) BLACK  
Terminal:brass ,tin-gold plated  
Spcc shell:Spcc front shell is ni plated back shell is tin plated



| PN       | PIN | A     | B     | C     | D     |
|----------|-----|-------|-------|-------|-------|
| MHDB9SP  | 09  | 30.81 | 24.99 | 16.92 | 19.28 |
| MHDB15SP | 15  | 39.25 | 33.32 | 25.25 | 27.75 |
| MHDB25SP | 25  | 53.03 | 47.04 | 38.96 | 41.30 |
| MHDB37SP | 37  | 69.50 | 63.50 | 55.42 | 57.40 |

THESE DRAWINGS AND SPECIFICATIONS ARE THE PROPERTY OF MH CONNECTORS LTD. AND SHALL NOT BE REPRODUCED, COPIED OR USED AS THE BASIS FOR THE MANUFACTURE OR SALE OF APPARATUS WITHOUT WRITTEN PERMISSION.

|                 |                  |
|-----------------|------------------|
| DRAWN<br>Johnny | DATE<br>07-16-12 |
| APPROVED        | DATE             |

|              |                    |           |
|--------------|--------------------|-----------|
| SCALE<br>1:1 | SHEET OF<br>1 OF 1 | REV:<br>1 |
|--------------|--------------------|-----------|

DRAWING No  
MHDB SP



THIS SERIES FULLY CONFORMS TO THE EUROPEAN UNION DIRECTIVES 2002/95/EC AND 2002/96/EC FOR RoHS COMPLIANCY.



MH CONNECTORS LTD.