



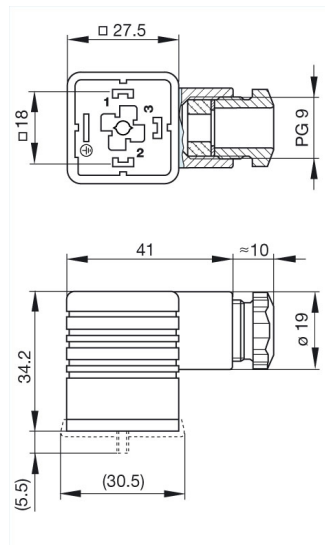
GDM 2009 schwarz/black

Industrial Connectors:Rectangular connectors GDM-series:Type A EN 175301-803 (DIN 43650) / ISO 4400:Cable socket, self-assembly

Product description

| | |
|----------------------|--|
| Description | cable socket with central screw M 3 x 35 |
| Type | GDM 2009 schwarz/black |
| Order No. | 931 965-100 |
| Other standard types | grey housing, Order no. 931 965-106 |
| Number of contacts | 2 + PE |
| Cable gland | PG 9 |
| Conductor size | max. 1.5 mm ² |
| Standard | DIN EN 175 301-803-A |
| Housing Color | black |
| Construction type | A |

Drawing



Technical data

| | |
|---------------------|----------------------------------|
| Pin dimensions | 6.3 mm x 0.8 mm, 4.8 mm x 0.8 mm |
| Rated voltage | UC 250 V |
| Rated current | 16 A |
| Contact resistance | ≤ 4 mOhm |
| Type of termination | screw |
| Suitable cables | 4.5 mm to 7 mm diameter |
| Mounting | central nut |

Material

| | |
|--------------------------|----|
| Contact surface material | Sn |
| Contact bearer material | PA |
| Housing material | PA |

Environmental conditions

| | |
|------------------------------|--------------------------|
| Protection class (IEC 60529) | IP 65 (gasket necessary) |
| Pollution severity | 3 |

| | |
|--|---|
| Temperature range | -40 °C to +125 °C |
| Inflammability class | |
| Housing | 94 HB |
| Contact bearer | 94 HB |
| Approvals | |
| VDE | VDE |
| SEV | SEV |
| CSA | CSA |
| Packaging unit | |
| Packaging unit | 200 pieces |
| Scope of delivery and accessories | |
| Accessories to order separately | (NBR) flat gasket GDM 3-7, Order no. 730 801-002; (EPDM) flat gasket GDM 3-21, Order no. 731 739-004; profiled gasket GDM 3-16, Order no. 731 531-002; knurled screw GDM 3011-8, Order no. 732 574-001; stainless steel screw GDM 3011 RF-1, Order no. 734 363-001 |