

LEVER BODY

Die cast zinc alloy, epoxy resin coating, orange, red, grey, black colour, matte finish.

STANDARD EXECUTIONS

- **ERM-A:** black-oxide steel clamping element with threaded hole and retaining screw. Steel return spring.
 - **ERM-SST:** AISI 303 stainless steel clamping element with threaded hole and retaining screw. AISI 301 stainless steel return spring.
 - **ERM-p:** black-oxide steel clamping element with threaded stud and retaining screw. Steel return spring.
 - **ERM-SST-p:** AISI 303 stainless steel clamping element with threaded stud and retaining screw. AISI 301 stainless steel return spring.
- Retaining screw with six-lobed socket to fit TORX®.

FEATURES AND APPLICATIONS

Particularly suitable when the lever turning angle is limited owing to lack of space.

SPECIAL EXECUTIONS ON REQUEST

- Lever body in different colours.
- Chrome-plated lever.
- Clamping element with plain hole.

INSTRUCTIONS OF USE

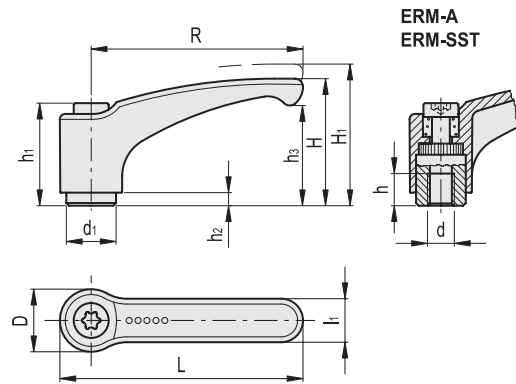
For clamping, lift the lever to disengage the clamping device teeth and bring it back to start position. By releasing the lever, the return spring automatically engages the teeth.

If the lever cannot make a 360° rotation, the clamping element can be easily screwed by means of the six-lobed socket front head screw (after having disengaged the lever).

* Registered trademark by TEXTRON INC.



ERGOSTYLE® ELESA Original design



* Complete with colour index of the lever body, example: 240002-C2 ERM.44 A-M4-C2

- C2** RAL2004
- C6** RAL3000
- C8** RAL9006
- C9** RAL9005

ERM-A

Code	Description	R	d	L	D	H	H1	h	h1	h2	h3	d1	l1	Teeth no.	⚖
240002-*	ERM.44 A-M4-*	44	M4	52	14.5	30	33	8	24.5	3.5	20.5	10	11	18	16
240003-*	ERM.44 A-M5-*	44	M5	52	14.5	30	33	8	24.5	3.5	20.5	10	11	18	16
240004-*	ERM.44 A-M6-*	44	M6	52	14.5	30	33	8	24.5	3.5	20.5	10	11	18	15
240014-*	ERM.63 A-M6-*	63	M6	73.5	18	38	41	10	31	3.5	27	13.5	13.5	24	36
240015-*	ERM.63 A-M8-*	63	M8	73.5	18	38	41	10	31	3.5	27	13.5	13.5	24	34
240025-*	ERM.78 A-M8-*	78	M8	90.5	21.5	46	50	14	36	3.5	34.5	16	16	26	61
240026-*	ERM.78 A-M10-*	78	M10	90.5	21.5	46	50	14	36	3.5	34.5	16	16	26	55
240036-*	ERM.95 A-M10-*	95	M10	109	25	56	61	17	43	5	42	19.5	18	28	93
240037-*	ERM.95 A-M12-*	95	M12	109	25	56	61	17	43	5	42	19.5	18	28	86

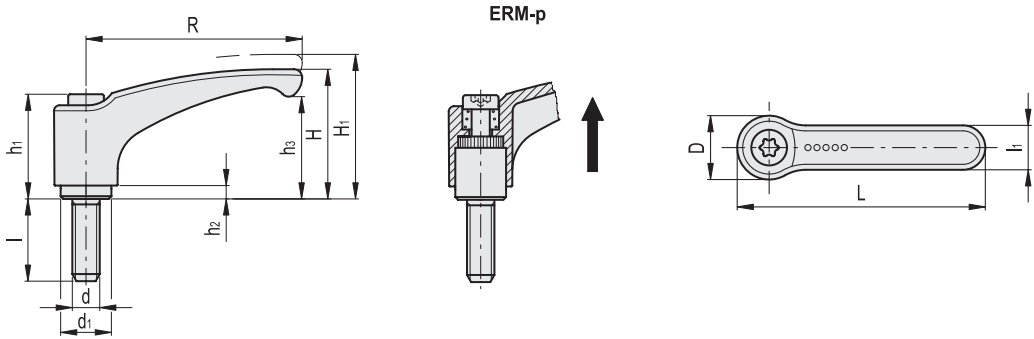
ERM-SST

INOX STAINLESS STEEL

Code	Description	R	d	L	D	H	H1	h	h1	h2	h3	d1	l1	Teeth no.	⚖
241002-*	ERM.44 SST-A-M4-*	44	M4	52	14.5	30	33	8	24.5	3.5	20.5	10	11	18	16
241003-*	ERM.44 SST-A-M5-*	44	M5	52	14.5	30	33	8	24.5	3.5	20.5	10	11	18	15
241014-*	ERM.63 SST-A-M6-*	63	M6	73.5	18	38	41	10	31	3.5	27	13.5	13.5	24	36
241015-*	ERM.63 SST-A-M8-*	63	M8	73.5	18	38	41	10	31	3.5	27	13.5	13.5	24	34
241025-*	ERM.78 SST-A-M8-*	78	M8	90.5	21.5	46	50	14	36	3.5	34.5	16	16	26	61
241026-*	ERM.78 SST-A-M10-*	78	M10	90.5	21.5	46	50	14	36	3.5	34.5	16	16	26	55
241036-*	ERM.95 SST-A-M10-*	95	M10	109	25	56	61	17	43	5	42	19.5	18	28	93
241037-*	ERM.95 SST-A-M12-*	95	M12	109	25	56	61	17	43	5	42	19.5	18	28	86



- 1
- 2
- 3
- 4
- 5
- 6
- 7
- 8
- 9
- 10
- 11
- 12
- 13
- 14
- 15
- 16
- 17
- 18



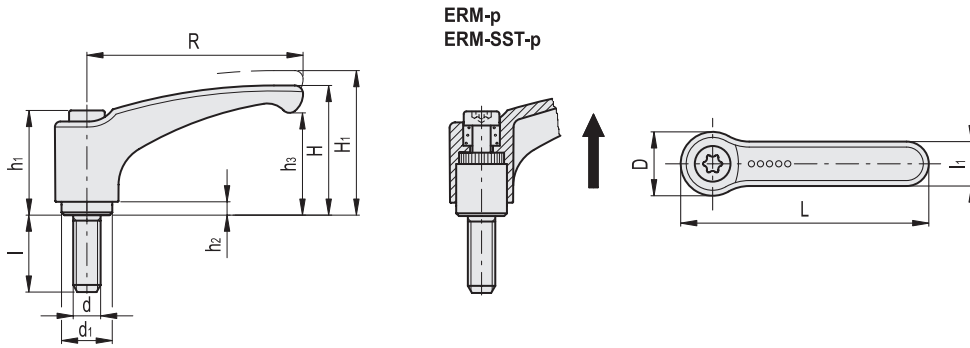
* Complete with colour index of the lever body, example: 240103-C2 ERM.44 p-M4x12-C2

- C2
RAL2004
- C6
RAL3000
- C8
RAL9006
- C9
RAL9005

ERM-p

Code	Description	R	d	L	D	H	H1	h1	h2	h3	d1	l	l1	Teeth no.	△
240103.*	ERM.44 p-M4x12-*	44	M4	52	14.5	30	33	24.5	3.5	20.5	10	12	11	18	15
240105.*	ERM.44 p-M4x16-*	44	M4	52	14.5	30	33	24.5	3.5	20.5	10	16	11	18	16
240107.*	ERM.44 p-M4x20-*	44	M4	52	14.5	30	33	24.5	3.5	20.5	10	20	11	18	17
240109.*	ERM.44 p-M4x25-*	44	M4	52	14.5	30	33	24.5	3.5	20.5	10	25	11	18	18
240111.*	ERM.44 p-M4x32-*	44	M4	52	14.5	30	33	24.5	3.5	20.5	10	32	11	18	19
240133.*	ERM.44 p-M5x12-*	44	M5	52	14.5	30	33	24.5	3.5	20.5	10	12	11	18	17
240135.*	ERM.44 p-M5x16-*	44	M5	52	14.5	30	33	24.5	3.5	20.5	10	16	11	18	18
240137.*	ERM.44 p-M5x20-*	44	M5	52	14.5	30	33	24.5	3.5	20.5	10	20	11	18	19
240139.*	ERM.44 p-M5x25-*	44	M5	52	14.5	30	33	24.5	3.5	20.5	10	25	11	18	20
240141.*	ERM.44 p-M5x32-*	44	M5	52	14.5	30	33	24.5	3.5	20.5	10	32	11	18	21
240143.*	ERM.44 p-M5x40-*	44	M5	52	14.5	30	33	24.5	3.5	20.5	10	40	11	18	22
240145.*	ERM.44 p-M5x50-*	44	M5	52	14.5	30	33	24.5	3.5	20.5	10	50	11	18	23
240153.*	ERM.44 p-M6x12-*	44	M6	52	14.5	30	33	24.5	3.5	20.5	10	12	11	18	19
240155.*	ERM.44 p-M6x16-*	44	M6	52	14.5	30	33	24.5	3.5	20.5	10	16	11	18	20
240157.*	ERM.44 p-M6x20-*	44	M6	52	14.5	30	33	24.5	3.5	20.5	10	20	11	18	21
240159.*	ERM.44 p-M6x25-*	44	M6	52	14.5	30	33	24.5	3.5	20.5	10	25	11	18	22
240161.*	ERM.44 p-M6x32-*	44	M6	52	14.5	30	33	24.5	3.5	20.5	10	32	11	18	23
240163.*	ERM.44 p-M6x40-*	44	M6	52	14.5	30	33	24.5	3.5	20.5	10	40	11	18	24
240165.*	ERM.44 p-M6x50-*	44	M6	52	14.5	30	33	24.5	3.5	20.5	10	50	11	18	25
240233.*	ERM.63 p-M6x12-*	63	M6	73.5	18	38	41	31	3.5	27	13.5	12	13.5	24	47
240235.*	ERM.63 p-M6x16-*	63	M6	73.5	18	38	41	31	3.5	27	13.5	16	13.5	24	49
240237.*	ERM.63 p-M6x20-*	63	M6	73.5	18	38	41	31	3.5	27	13.5	20	13.5	24	55
240239.*	ERM.63 p-M6x25-*	63	M6	73.5	18	38	41	31	3.5	27	13.5	25	13.5	24	57
240241.*	ERM.63 p-M6x32-*	63	M6	73.5	18	38	41	31	3.5	27	13.5	32	13.5	24	61
240243.*	ERM.63 p-M6x40-*	63	M6	73.5	18	38	41	31	3.5	27	13.5	40	13.5	24	68
240245.*	ERM.63 p-M6x50-*	63	M6	73.5	18	38	41	31	3.5	27	13.5	50	13.5	24	77
240247.*	ERM.63 p-M6x63-*	63	M6	73.5	18	38	41	31	3.5	27	13.5	63	13.5	24	79
240251.*	ERM.63 p-M8x12-*	63	M8	73.5	18	38	41	31	3.5	27	13.5	12	13.5	24	40
240253.*	ERM.63 p-M8x16-*	63	M8	73.5	18	38	41	31	3.5	27	13.5	16	13.5	24	41
240255.*	ERM.63 p-M8x20-*	63	M8	73.5	18	38	41	31	3.5	27	13.5	20	13.5	24	42
240257.*	ERM.63 p-M8x25-*	63	M8	73.5	18	38	41	31	3.5	27	13.5	25	13.5	24	43
240259.*	ERM.63 p-M8x32-*	63	M8	73.5	18	38	41	31	3.5	27	13.5	32	13.5	24	44
240261.*	ERM.63 p-M8x40-*	63	M8	73.5	18	38	41	31	3.5	27	13.5	40	13.5	24	46
240263.*	ERM.63 p-M8x50-*	63	M8	73.5	18	38	41	31	3.5	27	13.5	50	13.5	24	48
240265.*	ERM.63 p-M8x63-*	63	M8	73.5	18	38	41	31	3.5	27	13.5	63	13.5	24	51
240273.*	ERM.63 p-M10x20-*	63	M10	73.5	18	38	41	31	3.5	27	13.5	20	13.5	24	42
240275.*	ERM.63 p-M10x25-*	63	M10	73.5	18	38	41	31	3.5	27	13.5	25	13.5	24	43
240277.*	ERM.63 p-M10x32-*	63	M10	73.5	18	38	41	31	3.5	27	13.5	32	13.5	24	45
240279.*	ERM.63 p-M10x40-*	63	M10	73.5	18	38	41	31	3.5	27	13.5	40	13.5	24	47
240281.*	ERM.63 p-M10x50-*	63	M10	73.5	18	38	41	31	3.5	27	13.5	50	13.5	24	52
240283.*	ERM.63 p-M10x63-*	63	M10	73.5	18	38	41	31	3.5	27	13.5	63	13.5	24	53
240285.*	ERM.63 p-M10x80-*	63	M10	73.5	18	38	41	31	3.5	27	13.5	80	13.5	24	57

Clamping levers



* Complete with colour index of the lever body, example: 240103-C2 ERM.44 p-M4x12-C2

C2	C6	C8	C9
RAL2004	RAL3000	RAL9006	RAL9005

ERM-p

Code	Description	R	d	L	D	H	H1	h1	h2	h3	d1	l	l1	Teeth no.	⚖
240333*	ERM.78 p-M8x16*	78	M8	90.5	21.5	46	50	36	3.5	34.5	16	16	16	26	70
240335*	ERM.78 p-M8x20*	78	M8	90.5	21.5	46	50	36	3.5	34.5	16	20	16	26	73
240337*	ERM.78 p-M8x25*	78	M8	90.5	21.5	46	50	36	3.5	34.5	16	25	16	26	76
240339*	ERM.78 p-M8x32*	78	M8	90.5	21.5	46	50	36	3.5	34.5	16	32	16	26	81
240341*	ERM.78 p-M8x40*	78	M8	90.5	21.5	46	50	36	3.5	34.5	16	40	16	26	86
240343*	ERM.78 p-M8x50*	78	M8	90.5	21.5	46	50	36	3.5	34.5	16	50	16	26	88
240345*	ERM.78 p-M8x63*	78	M8	90.5	21.5	46	50	36	3.5	34.5	16	63	16	26	94
240347*	ERM.78 p-M8x80*	78	M8	90.5	21.5	46	50	36	3.5	34.5	16	80	16	26	97
240351*	ERM.78 p-M10x16*	78	M10	90.5	21.5	46	50	36	3.5	34.5	16	16	16	26	82
240353*	ERM.78 p-M10x20*	78	M10	90.5	21.5	46	50	36	3.5	34.5	16	20	16	26	85
240355*	ERM.78 p-M10x25*	78	M10	90.5	21.5	46	50	36	3.5	34.5	16	25	16	26	91
240357*	ERM.78 p-M10x32*	78	M10	90.5	21.5	46	50	36	3.5	34.5	16	32	16	26	98
240359*	ERM.78 p-M10x40*	78	M10	90.5	21.5	46	50	36	3.5	34.5	16	40	16	26	108
240361*	ERM.78 p-M10x50*	78	M10	90.5	21.5	46	50	36	3.5	34.5	16	50	16	26	120
240363*	ERM.78 p-M10x63*	78	M10	90.5	21.5	46	50	36	3.5	34.5	16	63	16	26	124
240365*	ERM.78 p-M10x80*	78	M10	90.5	21.5	46	50	36	3.5	34.5	16	80	16	26	127
240373*	ERM.78 p-M12x25*	78	M12	90.5	21.5	46	50	36	3.5	34.5	16	25	16	26	109
240375*	ERM.78 p-M12x32*	78	M12	90.5	21.5	46	50	36	3.5	34.5	16	32	16	26	118
240377*	ERM.78 p-M12x40*	78	M12	90.5	21.5	46	50	36	3.5	34.5	16	40	16	26	130
240379*	ERM.78 p-M12x50*	78	M12	90.5	21.5	46	50	36	3.5	34.5	16	50	16	26	144
240381*	ERM.78 p-M12x63*	78	M12	90.5	21.5	46	50	36	3.5	34.5	16	63	16	26	149
240383*	ERM.78 p-M12x80*	78	M12	90.5	21.5	46	50	36	3.5	34.5	16	80	16	26	152
240423*	ERM.95 p-M10x16*	95	M10	109	25	56	61	43	5	42	19	16	18	28	111
240425*	ERM.95 p-M10x20*	95	M10	109	25	56	61	43	5	42	19	20	18	28	113
240427*	ERM.95 p-M10x25*	95	M10	109	25	56	61	43	5	42	19	25	18	28	115
240429*	ERM.95 p-M10x32*	95	M10	109	25	56	61	43	5	42	19	32	18	28	118
240431*	ERM.95 p-M10x40*	95	M10	109	25	56	61	43	5	42	19	40	18	28	121
240433*	ERM.95 p-M10x50*	95	M10	109	25	56	61	43	5	42	19	50	18	28	128
240435*	ERM.95 p-M10x63*	95	M10	109	25	56	61	43	5	42	19	63	18	28	133
240437*	ERM.95 p-M10x80*	95	M10	109	25	56	61	43	5	42	19	80	18	28	141
240447*	ERM.95 p-M12x16*	95	M12	109	25	56	61	43	5	42	19	16	18	28	113
240449*	ERM.95 p-M12x20*	95	M12	109	25	56	61	43	5	42	19	20	18	28	117
240451*	ERM.95 p-M12x25*	95	M12	109	25	56	61	43	5	42	19	25	18	28	122
240453*	ERM.95 p-M12x32*	95	M12	109	25	56	61	43	5	42	19	32	18	28	125
240455*	ERM.95 p-M12x40*	95	M12	109	25	56	61	43	5	42	19	40	18	28	132
240457*	ERM.95 p-M12x50*	95	M12	109	25	56	61	43	5	42	19	50	18	28	141
240459*	ERM.95 p-M12x63*	95	M12	109	25	56	61	43	5	42	19	63	18	28	151
240461*	ERM.95 p-M12x80*	95	M12	109	25	56	61	43	5	42	19	80	18	28	160
240473*	ERM.95 p-M16x25*	95	M16	109	25	56	61	43	5	42	19	25	18	28	139
240475*	ERM.95 p-M16x32*	95	M16	109	25	56	61	43	5	42	19	32	18	28	146
240477*	ERM.95 p-M16x40*	95	M16	109	25	56	61	43	5	42	19	40	18	28	154
240479*	ERM.95 p-M16x50*	95	M16	109	25	56	61	43	5	42	19	50	18	28	171
240481*	ERM.95 p-M16x63*	95	M16	109	25	56	61	43	5	42	19	63	18	28	184
240483*	ERM.95 p-M16x80*	95	M16	109	25	56	61	43	5	42	19	80	18	28	199



Clamping levers



* Complete with colour index of the lever body, example: 241133-C2 ERM.44 SST-p-M5x12-C2

C2 RAL2004 **C6** RAL3000 **C8** RAL9006 **C9** RAL9005

INOX STAINLESS STEEL

ERM-SST-p

Code	Description	R	d	L	D	H	H1	h1	h2	h3	d1	l	l1	Teeth no.	
241133-*	ERM.44 SST-p-M5x12-*	44	M5	52	14.5	30	33	24.5	3.5	20.5	10	12	11	18	17
241135-*	ERM.44 SST-p-M5x16-*	44	M5	52	14.5	30	33	24.5	3.5	20.5	10	16	11	18	18
241137-*	ERM.44 SST-p-M5x20-*	44	M5	52	14.5	30	33	24.5	3.5	20.5	10	20	11	18	19
241139-*	ERM.44 SST-p-M5x25-*	44	M5	52	14.5	30	33	24.5	3.5	20.5	10	25	11	18	20
241141-*	ERM.44 SST-p-M5x32-*	44	M5	52	14.5	30	33	24.5	3.5	20.5	10	32	11	18	21
241143-*	ERM.44 SST-p-M5x40-*	44	M5	52	14.5	30	33	24.5	3.5	20.5	10	40	11	18	22
241145-*	ERM.44 SST-p-M5x50-*	44	M5	52	14.5	30	33	24.5	3.5	20.5	10	50	11	18	23
241153-*	ERM.44 SST-p-M6x12-*	44	M6	52	14.5	30	33	24.5	3.5	20.5	10	12	11	18	19
241155-*	ERM.44 SST-p-M6x16-*	44	M6	52	14.5	30	33	24.5	3.5	20.5	10	16	11	18	20
241157-*	ERM.44 SST-p-M6x20-*	44	M6	52	14.5	30	33	24.5	3.5	20.5	10	20	11	18	21
241159-*	ERM.44 SST-p-M6x25-*	44	M6	52	14.5	30	33	24.5	3.5	20.5	10	25	11	18	22
241161-*	ERM.44 SST-p-M6x32-*	44	M6	52	14.5	30	33	24.5	3.5	20.5	10	32	11	18	23
241163-*	ERM.44 SST-p-M6x40-*	44	M6	52	14.5	30	33	24.5	3.5	20.5	10	40	11	18	24
241165-*	ERM.44 SST-p-M6x50-*	44	M6	52	14.5	30	33	24.5	3.5	20.5	10	50	11	18	25
241235-*	ERM.63 SST-p-M6x16-*	63	M6	73.5	18	38	41	31	3.5	27	13.5	16	13.5	24	49
241237-*	ERM.63 SST-p-M6x20-*	63	M6	73.5	18	38	41	31	3.5	27	13.5	20	13.5	24	55
241239-*	ERM.63 SST-p-M6x25-*	63	M6	73.5	18	38	41	31	3.5	27	13.5	25	13.5	24	57
241241-*	ERM.63 SST-p-M6x32-*	63	M6	73.5	18	38	41	31	3.5	27	13.5	32	13.5	24	61
241243-*	ERM.63 SST-p-M6x40-*	63	M6	73.5	18	38	41	31	3.5	27	13.5	40	13.5	24	68
241245-*	ERM.63 SST-p-M6x50-*	63	M6	73.5	18	38	41	31	3.5	27	13.5	50	13.5	24	77
241247-*	ERM.63 SST-p-M6x63-*	63	M6	73.5	18	38	41	31	3.5	27	13.5	63	13.5	24	79
241253-*	ERM.63 SST-p-M8x16-*	63	M8	73.5	18	38	41	31	3.5	27	13.5	16	13.5	24	59
241255-*	ERM.63 SST-p-M8x20-*	63	M8	73.5	18	38	41	31	3.5	27	13.5	20	13.5	24	66
241257-*	ERM.63 SST-p-M8x25-*	63	M8	73.5	18	38	41	31	3.5	27	13.5	25	13.5	24	69
241259-*	ERM.63 SST-p-M8x32-*	63	M8	73.5	18	38	41	31	3.5	27	13.5	32	13.5	24	73
241261-*	ERM.63 SST-p-M8x40-*	63	M8	73.5	18	38	41	31	3.5	27	13.5	40	13.5	24	82
241263-*	ERM.63 SST-p-M8x50-*	63	M8	73.5	18	38	41	31	3.5	27	13.5	50	13.5	24	92
241265-*	ERM.63 SST-p-M8x63-*	63	M8	73.5	18	38	41	31	3.5	27	13.5	63	13.5	24	95
241335-*	ERM.78 SST-p-M8x20-*	78	M8	90.5	21.5	46	50	36	3.5	34.5	16	20	16	26	69
241337-*	ERM.78 SST-p-M8x25-*	78	M8	90.5	21.5	46	50	36	3.5	34.5	16	25	16	26	75
241339-*	ERM.78 SST-p-M8x32-*	78	M8	90.5	21.5	46	50	36	3.5	34.5	16	32	16	26	80
241341-*	ERM.78 SST-p-M8x40-*	78	M8	90.5	21.5	46	50	36	3.5	34.5	16	40	16	26	88
241343-*	ERM.78 SST-p-M8x50-*	78	M8	90.5	21.5	46	50	36	3.5	34.5	16	50	16	26	98
241345-*	ERM.78 SST-p-M8x63-*	78	M8	90.5	21.5	46	50	36	3.5	34.5	16	63	16	26	101
241347-*	ERM.78 SST-p-M8x80-*	78	M8	90.5	21.5	46	50	36	3.5	34.5	16	80	16	26	104
241353-*	ERM.78 SST-p-M10x20-*	78	M10	90.5	21.5	46	50	36	3.5	34.5	16	20	16	26	85
241355-*	ERM.78 SST-p-M10x25-*	78	M10	90.5	21.5	46	50	36	3.5	34.5	16	25	16	26	91
241357-*	ERM.78 SST-p-M10x32-*	78	M10	90.5	21.5	46	50	36	3.5	34.5	16	32	16	26	98
241359-*	ERM.78 SST-p-M10x40-*	78	M10	90.5	21.5	46	50	36	3.5	34.5	16	40	16	26	108
241361-*	ERM.78 SST-p-M10x50-*	78	M10	90.5	21.5	46	50	36	3.5	34.5	16	50	16	26	120
241363-*	ERM.78 SST-p-M10x63-*	78	M10	90.5	21.5	46	50	36	3.5	34.5	16	63	16	26	124
241365-*	ERM.78 SST-p-M10x80-*	78	M10	90.5	21.5	46	50	36	3.5	34.5	16	80	16	26	127
241425-*	ERM.95 SST-p-M10x20-*	95	M10	109	25	56	61	43	5	42	19	20	18	28	113
241427-*	ERM.95 SST-p-M10x25-*	95	M10	109	25	56	61	43	5	42	19	25	18	28	115
241429-*	ERM.95 SST-p-M10x32-*	95	M10	109	25	56	61	43	5	42	19	32	18	28	118
241431-*	ERM.95 SST-p-M10x40-*	95	M10	109	25	56	61	43	5	42	19	40	18	28	121
241433-*	ERM.95 SST-p-M10x50-*	95	M10	109	25	56	61	43	5	42	19	50	18	28	128
241435-*	ERM.95 SST-p-M10x63-*	95	M10	109	25	56	61	43	5	42	19	63	18	28	133
241437-*	ERM.95 SST-p-M10x80-*	95	M10	109	25	56	61	43	5	42	19	80	18	28	141
241449-*	ERM.95 SST-p-M12x20-*	95	M12	109	25	56	61	43	5	42	19	20	18	28	117
241451-*	ERM.95 SST-p-M12x25-*	95	M12	109	25	56	61	43	5	42	19	25	18	28	122
241453-*	ERM.95 SST-p-M12x32-*	95	M12	109	25	56	61	43	5	42	19	32	18	28	125
241455-*	ERM.95 SST-p-M12x40-*	95	M12	109	25	56	61	43	5	42	19	40	18	28	132
241457-*	ERM.95 SST-p-M12x50-*	95	M12	109	25	56	61	43	5	42	19	50	18	28	141
241459-*	ERM.95 SST-p-M12x63-*	95	M12	109	25	56	61	43	5	42	19	63	18	28	151
241461-*	ERM.95 SST-p-M12x80-*	95	M12	109	25	56	61	43	5	42	19	80	18	28	160