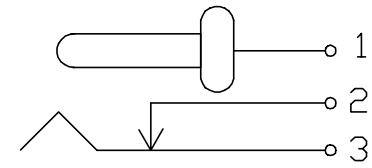
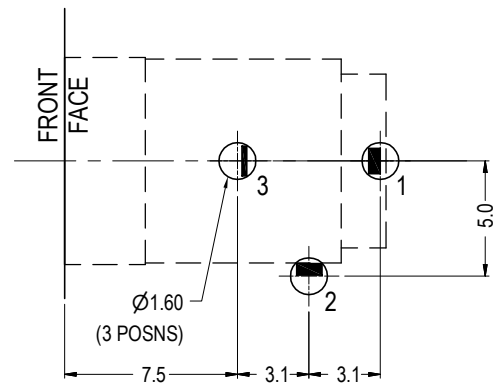
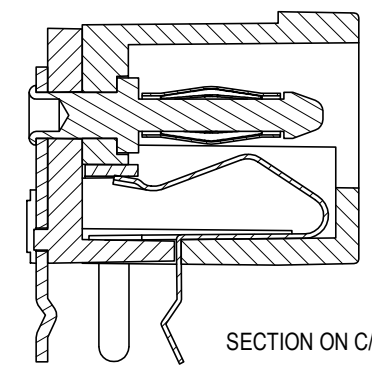
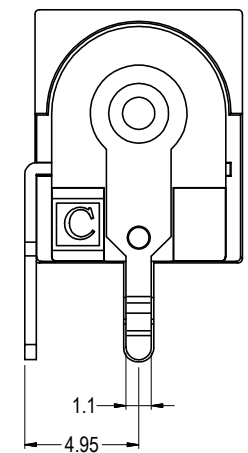
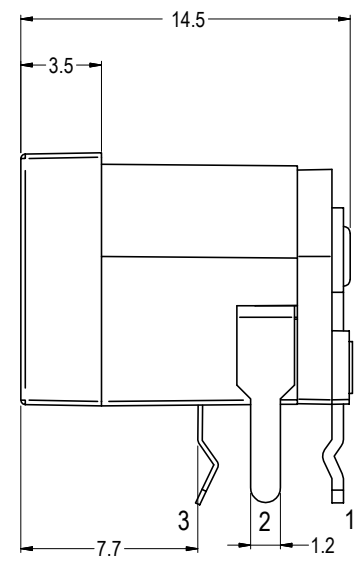
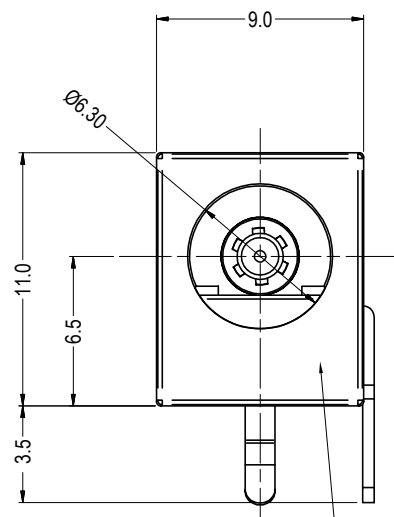


ISS.	AMEND	DATE
1	ISSUED	28/07/2011
2	NOTE 3 ADDED	06/10/2011
3	LAYOUT O/LINE ADDED	14/03/2012
4	NOTE 4 WAS FCR681465P	30/06/2014

PC LAYOUT
(COMPONENT SIDE
-SOCKET OMITTED
FOR CLARITY)



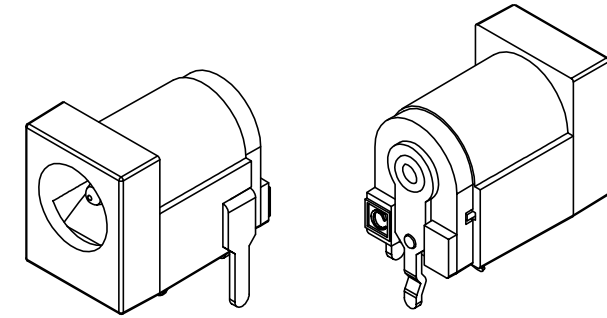
SCHMATIC



ALTERNATIVE
LOGO POSITION (FCR)

NOTES:-

- SUITABLE FOR USE WITH Ø2.1mm OR Ø2.5mm DC PLUG.
- RATED: 5A / 12V DC.
LIFE: 5,000 INSERTIONS MINIMUM.
INSULATION RESISTANCE BETWEEN ANY OPEN CONTACT
>100MW @ 500V DC.
- HOUSING MATERIAL: PBT 30% GF TO UL94 V-0 (3.2mm)
(CHANG CHUN PLASTIC PBT4830)
- FC681465P REPLACES FCR681465P



RoHS
COMPLIANT

TOLERANCE
NO DEC. PLACE ±
1 DEC. PLACE ±
2 DEC. PLACE ±
HOLE Ø ±
ANGLES ±
UNLESS
OTHERWISE STATED

Cliff Electronic Components Ltd.

DIMENSIONS IN MILLIMETERS UNLESS OTHERWISE STATED. WORK TO DIMENSIONS. REMOVE ALL BURRS. IF IN DOUBT ASK.

3rd ANGLE PROJECTION:

DO NOT SCALE

76 Holmehorpe Avenue, Holmehorpe Industrial Estate,
Redhill, Surrey, RH1 2PF, England, UK
Tel: 01737-771375 Fax: 01737-766012 Website: www.cliffuk.co.uk

MATERIAL: PBT / BRASS / PhBrz / BeCu
FINISH: AS MOULDED / SILVER PLATED TAGS

TITLE: DC10LP SOCKET (PCB MOUNT)

THE CONTENTS OF THIS DOCUMENT MUST NOT BE COPIED OR DISCLOSED TO A 3rd PARTY WITHOUT WRITTEN PERMISSION OF CLIFF UK. © 2011

DRAWN: NJB

APPROVED: DPJ

DRWG. No. **FC681465P**

FORM: A4DRWGH

Cliff Electronic Components Ltd.

76 Holmethorpe Avenue, Holmethorpe Industrial Estate,

Redhill, Surrey, RH1 2PF, England, UK

Tel: 01737-771375 Fax: 01737-766012 Website: www.cliffuk.co.uk

SPECIFICATIONS FC681465 DC10L SOLDER TAG FC681465P DC10LP PCB

A) SCOPE

This specification covers DC POWER JACK

B) CHARACTERISTICS

Standard atmospheric specified, measurements shall be made at temperature , humidity and air pressure within the following limit :

Ambient temperature	:	5 °C	to	35 °C
Relative humidity	:	45 %	to	85 %
Air pressure	:	85 Kpa	to	106 Kpa

Operating temperature range	:	-20 °C	to	60 °C
Storage temperature range	:	-25 °C	to	70 °C

C) ELECTRICAL CHARACTERISTICS

ITEM	TEST CONDITIONS	SPECIFICATION
(C1)Rated Voltage Rated Current		DC 12V 5A
(C2)Insulation Resistance	A voltage of 500V DC shall be applied to the terminals. After which measurement shall be made. DC 500V	100M Ω or more ≥ 100M Ω

Cliff Electronic Components Ltd.

76 Holmethorpe Avenue, Holmethorpe Industrial Estate,
Redhill, Surrey, RH1 2PF, England, UK

Tel: 01737-771375 Fax: 01737-766012 Website: www.cliffuk.co.uk

ITEM	TEST CONDITIONS	SPECIFICATION
(C3)Contact Resistance	<p>Measurement shall be made at 1 K Hz with 100 mA or less (With the test plug as show in item G)</p> <p><1>Initial before any testing</p> <p>a · Pin to contact or (T-TS) (N.C.).</p> <p>b · Plug (t,s,)shield to socket or (T,S,) (N.O.).</p> <p><2>After life test with mating plug</p> <p>a · Pin to contact or (T-TS) (N.C.).</p> <p>b · Plug (t,s,)shield to socket or (T,S,) (N.O.).</p>	<p>Initial :</p> <p>a · 30mΩ or Less ≤ 30mΩ</p> <p>b · 50mΩ or Less ≤ 50mΩ</p> <p>After life :</p> <p>a · 60mΩ or Less ≤ 60mΩ</p> <p>b · 100mΩ or Less ≤ 100mΩ</p>
(C4)Dielectric Strength	<p>Withstand 0.5 mA (Trip current) 500V AC(50 or 60 Hz) between any open terminal for 1 minute.</p> <p>(Open terminal: Between each terminal which should not make contact , before plug insert to socket T-S, after plug insert to socket T-TS)</p>	Without distinct Damage

Cliff Electronic Components Ltd.

76 Holmethorpe Avenue, Holmethorpe Industrial Estate,
Redhill, Surrey, RH1 2PF, England, UK
Tel: 01737-771375 Fax: 01737-766012 Website: www.cliffuk.co.uk

--	--	--

D) . MECHANICAL CHARACTERISTICS

ITEM	TEST CONDITIONS	SPECIFICATION
(D1) Insertion force and Withdrawal force	Initial	Insertion force
	(With the test plug as show in item G)	0.3kgf ~ 2.0kgf
		Withdrawal force
	0.3kgf ~ 2.0kgf	Insertion force
After life test		
(D2) Terminal strength	Terminals must withstand a 500g minimum pull for 10 seconds before movement or break from housing occurs , but deformation of terminal is authorized .	(With the test plug as show in item G)
		0.3kgf ~ 2.0kgf
		Withdrawal force
0.3kgf ~ 2.0kgf		

E) . ENDURANCE CHARACTERISTICS

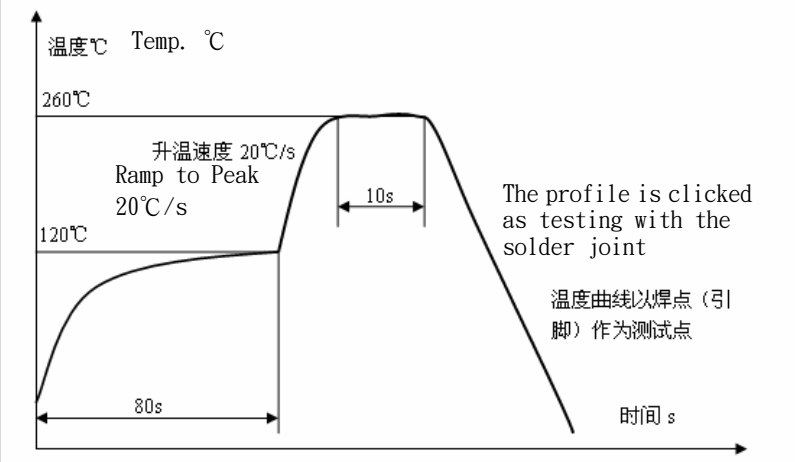
ITEM	TEST CONDITIONS
(E1) Life test	The life test shall consist of 5,000 cycles of insertion and withdrawal with test plug(Show in item G), at a rate of 20 to 30 cycles per minute under no load .
(E2) Soldering test	The terminal of JACK tested shall be dipped into soldering flux or equivalent for 5 ~ 10 seconds and then immersed into molten solder Sn at $260 \pm 5^{\circ}\text{C}$ for

Cliff Electronic Components Ltd.

76 Holmethorpe Avenue, Holmethorpe Industrial Estate,
Redhill, Surrey, RH1 2PF, England, UK
Tel: 01737-771375 Fax: 01737-766012 Website: www.cliffuk.co.uk

	3 ± 0.5 seconds , the coverage should more than 95% .
(E3)Soldering heat	The terminal for a printed circuit board . Temperature of solder : 260 ± 5°C Dip time : 5 ± 1 seconds .
(E4) Hand Soldering Temperature	Temperature of solder : 350 ± 10°C Dip time : 3 ± 0.5 seconds .

F) . DIP

ITEM	TEST CONDITIONS
<p>The temperature peak without lead.</p>	 <p>Pre-heating temperature is 25 ~ 120°C ,for a duration about 80 seconds.</p> <p>The peak temperature is 260°C , the duration for 10 seconds.</p>

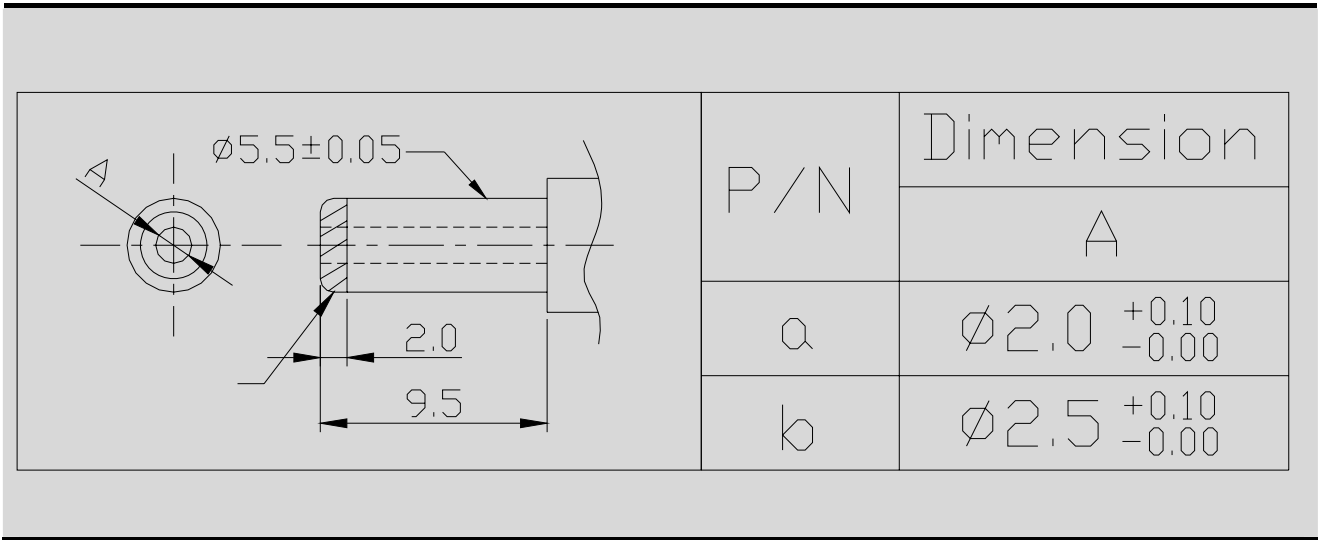
Cliff Electronic Components Ltd.

76 Holmethorpe Avenue, Holmethorpe Industrial Estate,

Redhill, Surrey, RH1 2PF, England, UK

Tel: 01737-771375 Fax: 01737-766012 Website: www.cliffuk.co.uk

G) . MATED PLUG



制定日期	A	Jacky	C	Dragon	M	Roy
2009. 12. 01	P		H		A	
	V		K		E	
	D		D			