

### Features:

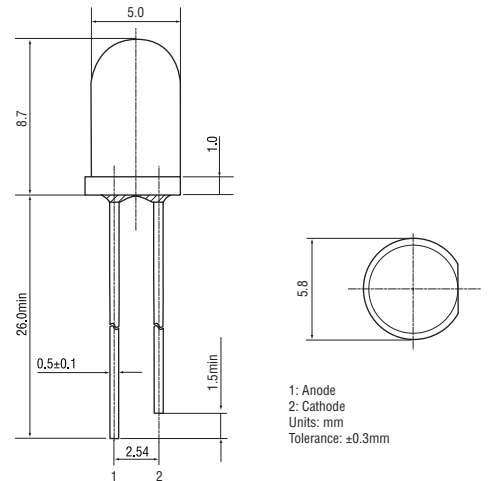
- High luminous LEDs
- 5mm Round standard directivity
- Superior weather-resistance
- Colour changing type
- White diffused type

### Applications

- Toys
- Games
- Clock backlighting
- Other lighting



### Outline dimensions:



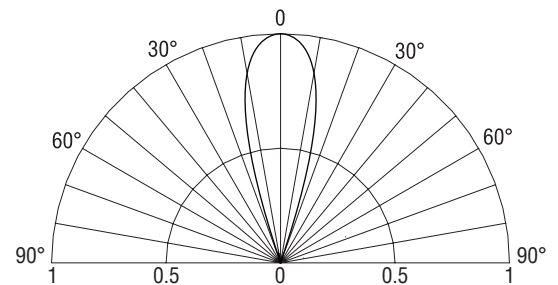
### Absolute maximum rating (Ta=25°C)

Item	Symbol	Value	Unit
Power supply	Voltage	5	V
Operating temperature	Topr	-30 to +85	°C
Storage temperature	Tstg	-40 to +100	°C
Lead soldering temperature	Tsol	260°C/5sec	-

### Electrical - Optical characteristics (Ta=25°C)

Item	Symbol	Condition	Min.	Typ.	Max.	Unit
DC Forward voltage	V <sub>dd</sub>	I <sub>F</sub> = 20mA	3.8	4.5	5.0	V
Oscillator frequency*	F <sub>led</sub>	I <sub>F</sub> = 20mA	-	60	-	S
Duty cycle	Duty	I <sub>F</sub> = 20mA	-	-	-	-
Dominant wavelength**	λ <sub>D</sub> (Red)	I <sub>F</sub> = 20mA	620	625	630	nm
	λ <sub>D</sub> (Blue)	I <sub>F</sub> = 20mA	465	470	475	nm
	λ <sub>D</sub> (Green)	I <sub>F</sub> = 20mA	520	525	530	nm
Luminous intensity***	I <sub>v</sub> (Red)	I <sub>F</sub> = 20mA	3000	4000	-	mcd
	I <sub>v</sub> (Blue)	I <sub>F</sub> = 20mA	1560	2180	-	mcd
	I <sub>v</sub> (Green)	I <sub>F</sub> = 20mA	5800	7000	-	mcd
50% Power angle	2θ <sub>1/2</sub>	I <sub>F</sub> = 20mA	-	30	-	deg

### Directivity:



\* Tolerance of frequency is ±20%

\*\* Tolerance of dominant wavelength is ±1nm

\*\*\* Tolerance of luminous intensity is ±15%