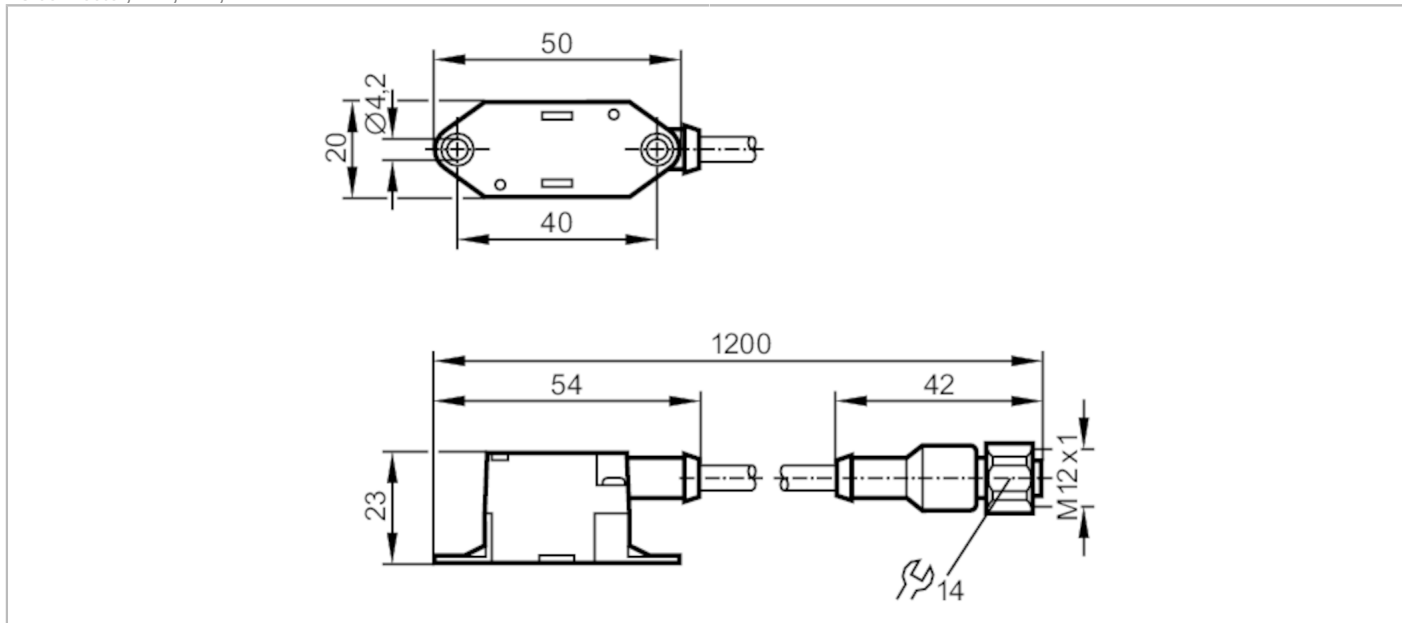


# E79998



## AS-Interface flat cable insulation displacement connector

FC connector, M12, V2A, 1m



Electrical data	
Operating voltage	[V] 26.5...31.6 DC
Operating conditions	
Ambient temperature	[°C] -20...70
Protection	IP 67
Mechanical data	
Weight	[g] 82.7
Remarks	
Remarks	FC insulation displacement connector with round cable and socket (total length 1.2 m)
Pack quantity	1 pcs.