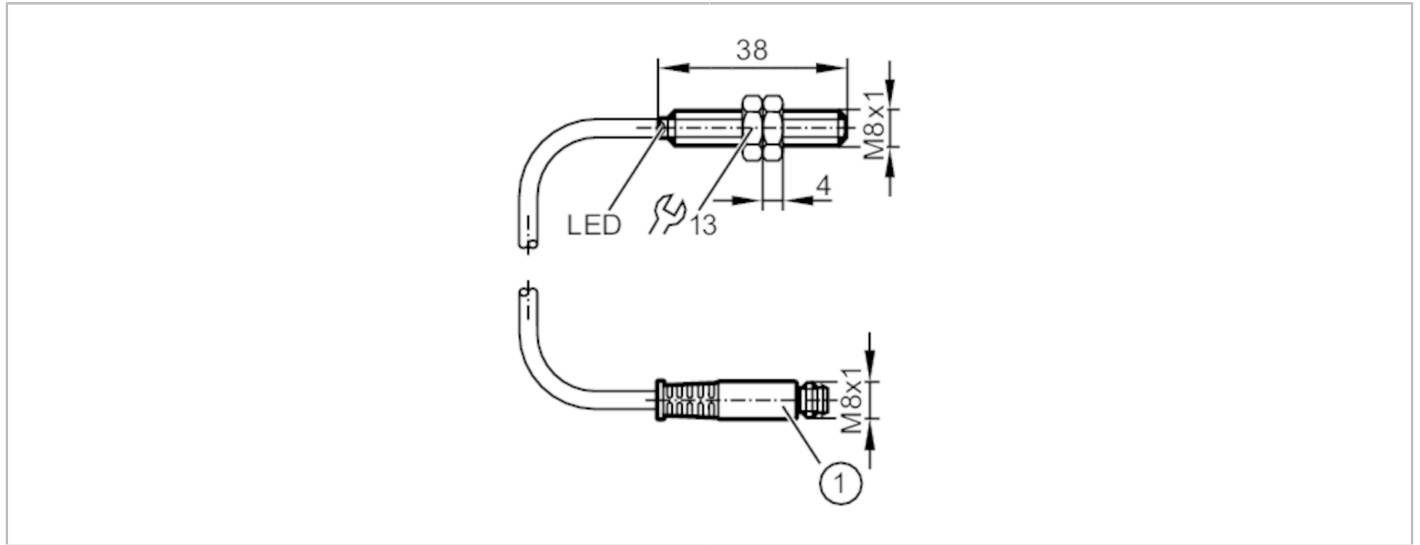


# IE5336



## Inductive sensor

IEB3002BBPKG/0,185M/PH/AS610



### Product characteristics

Electrical design		PNP
Output function		normally open
Sensing range	[mm]	2
Housing		threaded type
Dimensions	[mm]	M8 x 1

### Electrical data

Operating voltage	[V]	10...36 DC
Current consumption	[mA]	15; (24 V)
Protection class		III
Reverse polarity protection		yes

### Outputs

Electrical design		PNP
Output function		normally open
Max. voltage drop switching output DC	[V]	2.5
Permanent current rating of switching output DC	[mA]	200
Short-time current rating of switching output	[mA]	200
Switching frequency DC	[Hz]	1000
Short-circuit protection		yes
Overload protection		yes

### Detection zone

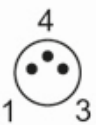
Sensing range	[mm]	2
Real sensing range $S_r$	[mm]	$2 \pm 10 \%$
Operating distance	[mm]	0...1.62

# IE5336



## Inductive sensor

IEB3002BBPKG/0,185M/PH/AS610

Accuracy / deviations		
Correction factor	steel: 1 / stainless steel: 0.7 / brass: 0.5 / aluminium: 0.4 / copper: 0.3	
Hysteresis [% of Sr]	1...15	
Switch point drift [% of Sr]	-10...10	
Operating conditions		
Ambient temperature [°C]	-25...70	
Protection	IP 65; (with ifm socket duly screwed on: IP67)	
Tests / approvals		
EMC	EN 61000-4-2 ESD	4 kV CD / 8 kV AD
	EN 61000-4-3 HF radiated	3 V/m
	EN 61000-4-4 Burst	2 kV
	EN 61000-4-6 HF conducted	3 V
	EN 55011	class B
MTTF [years]	2804	
UL approval	Ta	-25...70 °C
	Enclosure type	Type 1
	voltage supply	Class 2
	File number UL	E174191
Mechanical data		
Weight [g]	23.5	
Housing	threaded type	
Mounting	flush mountable	
Dimensions [mm]	M8 x 1	
Thread designation	M8 x 1	
Materials	brass white bronze coated; LCP	
Tightening torque [Nm]	A = 5 mm: 1 Nm; B: 2 Nm	
Displays / operating elements		
Display	switching status	1 x LED, red
Accessories		
Accessories (supplied)	lock nuts: 2	
Remarks		
Pack quantity	1 pcs.	
Electrical connection - plug		
Cable: 0.185 m, PUR; 3 x 0.14 mm <sup>2</sup>		
Connector: 1 x M8; Locking: snap-fit		
		



# IE5336



## Inductive sensor

IEB3002BBPKG/0,185M/PH/AS610

### Connection



### Diagrams and graphs

#### Installation

