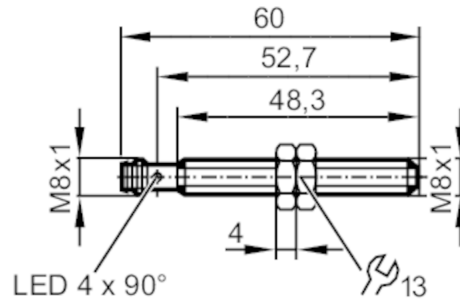


# IE5390



## Inductive sensor

IEK31,5-BPKG/V4A/K1/AS



### Product characteristics

Electrical design	PNP
Output function	normally open
Sensing range [mm]	1.5
Housing	threaded type
Dimensions [mm]	M8 x 1 / L = 60

### Application

Special feature	Gold-plated contacts; Correction factor K = 1; Magnetic-field immune
Magnetic-field immune	yes
Max. magnetic field immunity [mT]	300

### Electrical data

Operating voltage [V]	10...30 DC
Current consumption [mA]	< 20
Protection class	III
Reverse polarity protection	yes

### Outputs

Electrical design	PNP
Output function	normally open
Max. voltage drop switching output DC [V]	2.5
Permanent current rating of switching output DC [mA]	100
Switching frequency DC [Hz]	1000
Short-circuit protection	yes
Overload protection	yes

### Detection zone

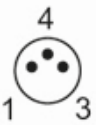
Sensing range [mm]	1.5
Real sensing range Sr [mm]	1.5 ± 10 %
Operating distance [mm]	0...1.2

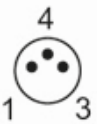
# IE5390



## Inductive sensor

IEK31,5-BPKG/V4A/K1/AS

Accuracy / deviations		
Correction factor	steel: 1 / stainless steel: 1 / brass: 1 / aluminium: 1 / copper: 1	
Hysteresis [% of Sr]	1...20	
Switch point drift [% of Sr]	-10...10	
Correction factor K = 1	yes	
Operating conditions		
Ambient temperature [°C]	-25...70	
Protection	IP 65; IP 67; (with ifm socket duly screwed on)	
Tests / approvals		
EMC	EN 61000-4-2 ESD	4 kV CD / 8 kV AD
	EN 61000-4-3 HF radiated	10 V/m
	EN 61000-4-4 Burst	2 kV
	EN 61000-4-6 HF conducted	10 V
	EN 55011	class B
MTTF [years]	544	
Mechanical data		
Weight [g]	19.3	
Housing	threaded type	
Mounting	flush mountable	
Dimensions [mm]	M8 x 1 / L = 60	
Thread designation	M8 x 1	
Materials	housing: stainless steel (1.4404 / 316L); sensing face: LCP; lock nuts: brass	
Displays / operating elements		
Display	switching status	4 x 90° LED, yellow
Accessories		
Accessories (supplied)	lock nuts: 2	
Remarks		
Pack quantity	1 pcs.	
Electrical connection - plug		
Connector: 1 x M8; Locking: snap-fit ; Contacts: gold-plated		
		



# IE5390



## Inductive sensor

IEK31,5-BPKG/V4A/K1/AS

### Connection

