

## MOTOR SUPPRESSOR

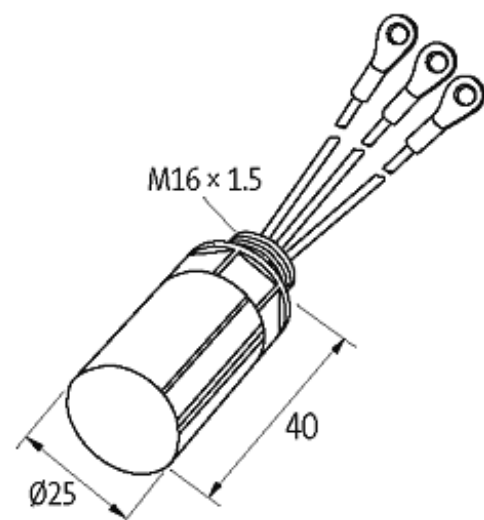
Varistor, 3x690VAC/7,5kW

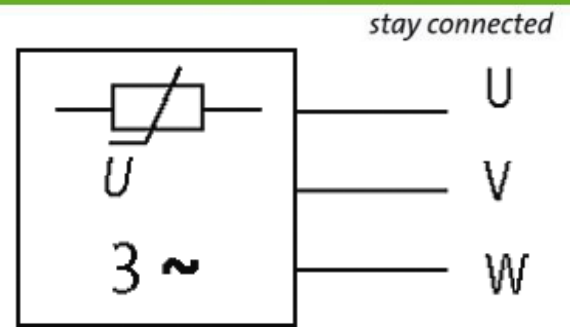
3 × 690 V AC  
VDR

Suppressors for other voltages, frequencies, and motor ratings available on request. Do not use RC motor suppressors with frequency inverters. Wire diameter 1.5 mm<sup>2</sup>

### [Link to Product](#)

#### Illustration





VDR

Product may differ from Image

### Technical Data

Material	Flame retardant plastic acc. to (UL 94)
Potting compound	2-component epoxy
Ring terminals	isolated M6
Frequency	10...400 Hz

### General data

Connection	approx. 100 mm, single cores 0.5 mm <sup>2</sup>
Temperature range	-20...+60 °C
Dimensions H × W × D	25×25×40 mm

### Commercial data

country of origin	CZ
customs tariff number	85363010
minimum order quantity	1