

**Features**

- N+1 redundancy provides highest reliability
- Diagnostics and fault indication
- Modular and hot swappable
- Automatic load sharing
- Adjustable voltage
- Fanless
- ATEX and cULus approvals for Div 2/Zone 2

**Function**

The PS3500-PM-1.24.15 power supply module works with the PS2500/PS3500 series backplanes. The power supply is well suited for emergency shut down systems, fieldbus / HART networks, as well as any general-purpose process applications.

Each 24 V, 15 A module plugs directly into a 3- or 6-position backplane allowing a maximum capacity of 45 A or 90 A of uninterrupted power. The output voltage is adjustable from 22.5 V to 28 V DC via potentiometers on the backplane.

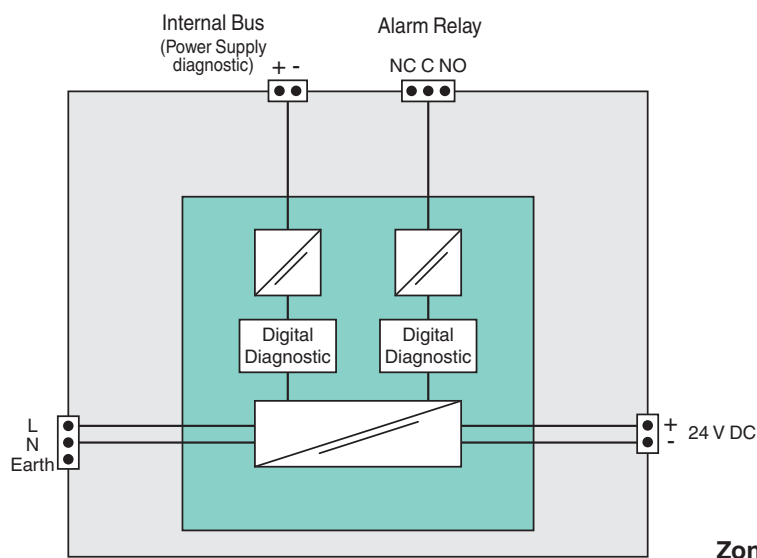
Universal input power is standard and allows a battery backup, eliminating the need for a UPS connection. The power supply modules are highly efficient (up to 91%) and use natural convection cooling.

Each module operates with automatic load sharing, so modules are hot swappable with no effect on the output supply.

**Assembly**



**Connection**



Zone 2/Div. 2

Release date 2013-10-10 15:53 Date of issue 2013-10-10 913919\_eng.xml

Refer to "General Notes Relating to Pepperl+Fuchs Product Information".

Pepperl+Fuchs Group  
www.pepperl-fuchs.com

USA: +1 330 486 0002  
pa-info@us.pepperl-fuchs.com

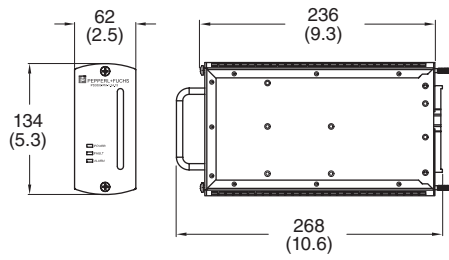
Germany: +49 621 776 2222  
pa-info@de.pepperl-fuchs.com

Singapore: +65 6779 9091  
pa-info@sg.pepperl-fuchs.com

<b>Interface</b>	
Type	diagnostic bus: RS 485
<b>Input</b>	
Input current	max 6.5 A
Inrush current	< 50 A peak for 50 µs
Voltage	90 ... 250 V AC; ± 10 %, 90 ... 300 V DC
Power factor	> 0.97, 50 ... 100 % load
<b>Output</b>	
Current	15 A
Voltage	24 V DC ± 1 % (22.5 ... 28 V DC adjustable)
Ripple	35 mV <sub>rms</sub> (< 100 mV <sub>pp</sub> )
Fault signal	relay 50 V DC, 1 A
Response time	min. hold-up time: ≥ 25 ms at nominal input voltage and output load
Input regulation	< 100 mV ( 90 ... 250 V AC ; 90 ... 300 V DC )
Load regulation	< 100 mV (0 ... 15 A output load)
Turn-on/turn-off voltage transient	200 ms to final value (no over/under shoot)
Temperature coefficient	max. ± 0.01 % per °C
Short-circuit current	≤ 20 A
Efficiency	up to 91 %
<b>Electrical isolation</b>	
Input/Output	4.25 kV DC
Input/ground	2.12 kV DC
Output/ground	2.12 kV DC
<b>Directive conformity</b>	
Electromagnetic compatibility	
Directive 2004/108/EC	EN 61326-1:2006 EN 61000 sections 3-2, 3-3, 4-2, 4-4, 4-5, 4-6, and 4-11
<b>Conformity</b>	
Electrical isolation	IEC 61131-2
Electromagnetic compatibility	NE 21:2006
Protection degree	EN 60529
Shock resistance	EN 60068-2-27
Vibration resistance	EN 60068-2-6
<b>Ambient conditions</b>	
Ambient temperature	-25 ... 45 °C (-13 ... 113 °F) , derated: 0,4 A/°C, (from 45 ... 70 °C (113 ... 158 °F))
Storage temperature	-40 ... 85 °C (-40 ... 185 °F)
Relative humidity	< 95 % , noncondensing
Shock resistance	15 g , 11 ms
Vibration resistance	1 g , 58 ... 150 Hz
<b>Mechanical specifications</b>	
Housing material	Powder Coated, 1010 Cold Rolled Steel
Protection degree	IP20
Mass	approx. 1.8 kg ( 4.125 lbs )
Dimensions	134 x 62 x 268 mm (5.3 x 2.5 x 10.6 in)
<b>Data for application in connection with Ex-areas</b>	
EC-Type Examination Certificate	ITS 09 ATEX 46140 X
Group, category, type of protection	⊕ I/3 G Ex nC IIC T4
Directive conformity	
Directive 94/9/EC	EN 60079-0, EN 60079-15
<b>International approvals</b>	
UL approval	cULus Listed E230669 E350173
Approved for	Class I/Div 2, ABCD
<b>General information</b>	
Supplementary information	Statement of Conformity, Declaration of Conformity, Attestation of Conformity and instructions have to be observed where applicable. For information see <a href="http://www.pepperl-fuchs.com">www.pepperl-fuchs.com</a> .

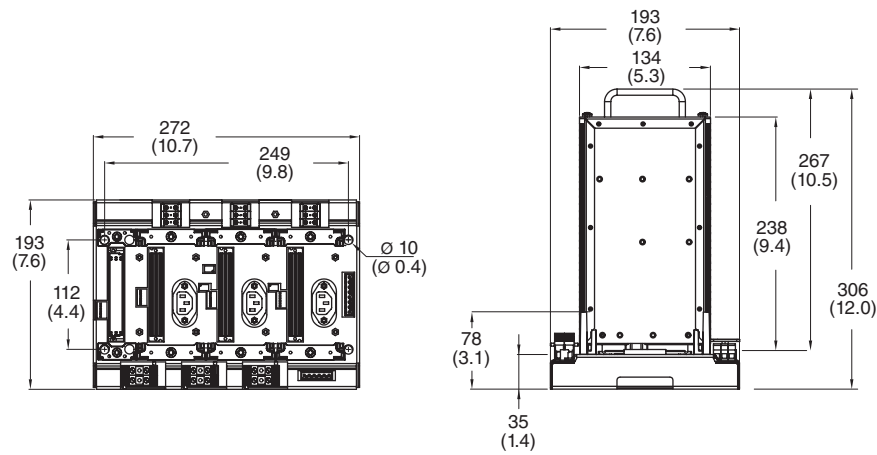
Release date 2013-10-10 15:53 Date of issue 2013-10-10 913919\_eng.xml

Dimensions mm (in)

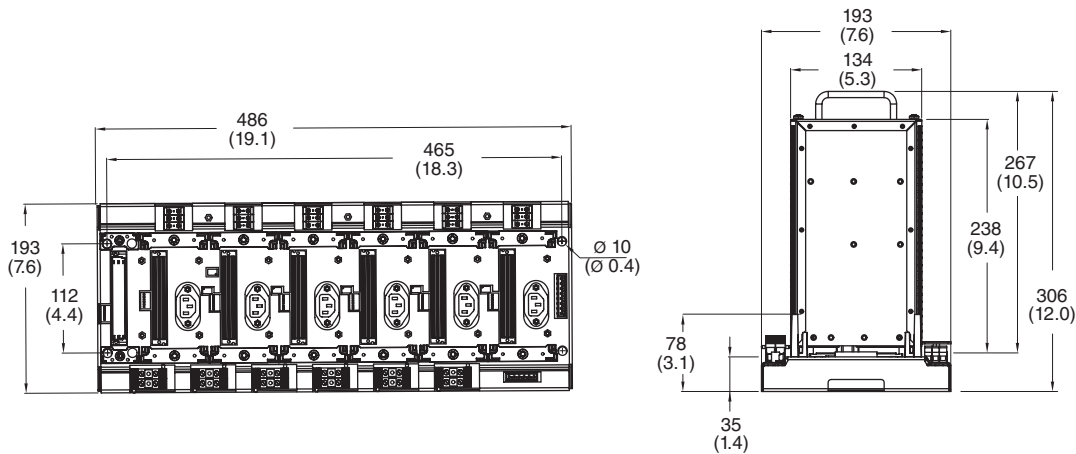


System dimensions mm (in)

PS3500-TB-3



PS3500-TB-6



Release date 2013-10-10 15:53 Date of issue 2013-10-10 913919\_eng.xml

Refer to "General Notes Relating to Pepperl+Fuchs Product Information".

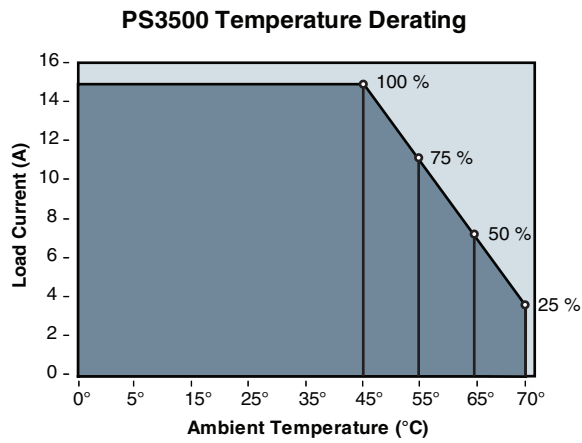
Pepperl+Fuchs Group  
www.pepperl-fuchs.com

USA: +1 330 486 0002  
pa-info@us.pepperl-fuchs.com

Germany: +49 621 776 2222  
pa-info@de.pepperl-fuchs.com

Singapore: +65 6779 9091  
pa-info@sg.pepperl-fuchs.com

Curves



Release date 2013-10-10 15:53 Date of issue 2013-10-10 913919\_eng.xml

Refer to "General Notes Relating to Pepperl+Fuchs Product Information".

Pepperl+Fuchs Group  
www.pepperl-fuchs.com

USA: +1 330 486 0002  
pa-info@us.pepperl-fuchs.com

Germany: +49 621 776 2222  
pa-info@de.pepperl-fuchs.com

Singapore: +65 6779 9091  
pa-info@sg.pepperl-fuchs.com