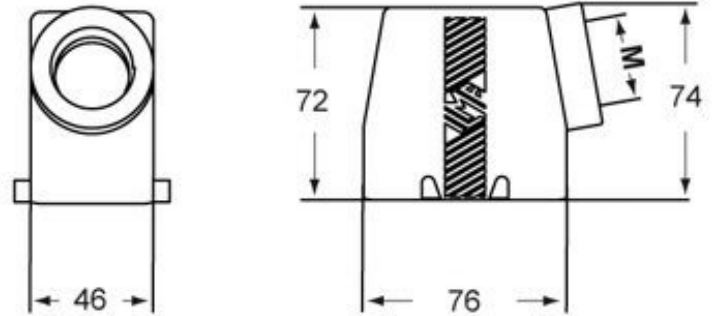


Product Sheet

Part Number: TMAO 10.25



Dimensions in mm



| | |
|--------------------------------|---|
| Family | TC - TM insulating enclosures |
| Version | insulating version |
| Series | hoods for two levers |
| Product type | with 4 pegs |
| Type | side entry |
| IP degree of protection | IP65 (EN 60529) degree of protection (UL Type 12) |
| Cable entry | M 25 |
| Fixing centre distance | size "57.27" |
| Material | insulating |
| Notes | The enclosures ensure IP protection rating when mated and locked. To be complete with cable glands. |

The information and the dimensions are not binding and may be changed without prior notice.