

Type: **T0-2-1/I1/SVB**  
 Article No.: **207147**  
 Sales text **ON-OFF SWITCH**



**Ordering information**

			BME-CAT Fotos
Produktgruppen-Bezeichnung			T0-...
			Load current switches
			Main switches, maintenance switches
Design			Surface mounting
Basic type for ... insert mounting form			T0-2-1/...
Mounting form			I1/SVB
No. of poles		M	3
Description			As Emergency-Stop device

**General**

Standards			IEC/EN 60947, VDE 0660, IEC/EN 60204, CSA, UL Switch-disconnectors to IEC/EN 60947-3 Load-break switches to IEC/EN 60947-3
Lifespan, mechanical	Operations	$\times 10^6$	1
Maximum operating frequency	Operations/h		3000
Climatic proofing			Damp heat, constant, to IEC 60068-2-78; Damp heat,

			cyclical, to IEC 60068–2–30
Ambient temperature			
Open		°C	–25...50
Enclosed		°C	–25...40
Mounting position			As required
Mechanical shock resistance to IEC 60068–2–27	Half-sinusoidal shock 20 ms	g	> 15
<b>Contacts</b>			
Rated operational voltage	$U_e$	V AC	690
Rated impulse withstand voltage	$U_{imp}$	V AC	6000
Overtoltage category/pollution degree			III/3
Rated uninterrupted current			
open	$I_u$	A	20
Enclosed	$I_u$	A	20
Load rating with intermittent operation, class 12			
AB 25 % DF		$\times I_e$	2
AB 40 % DF		$\times I_e$	1,6
AB 60 % DF		$\times I_e$	1,3
Short-circuit rating			
Fuse		A gG/gL	20
Rated short-time withstand current (1 s current)	$I_{cw}$	$A_{rms}$	320
Safe isolation to VDE 0106 Part 101 and Part 101/A1			
between the contacts		V AC	440
Switching angles		°	90 60 45 30
Contact units			11
Double-break contacts			max. 22
Current heat loss per contact at $I_e$		W	0,6
<b>Terminal capacities</b>			
Solid or stranded		mm <sup>2</sup>	1 × (1 – 2.5) 2 × (1 – 2.5)
Flexible with ferrule to DIN 46228		mm <sup>2</sup>	1 × (0.75 – 1.5) 2 × (0.75 – 1.5)
Terminal screw			M3.5

Tightening torque		Nm	1
<b>Switching capacity</b>			
AC			
Rated making capacity $\cos \phi = 0.35$		A	130
Rated breaking capacity, motor load switch $\cos \phi = 0.35$			
230 V		A	100
400 V		A	110
500 V		A	80
690 V		A	60
Rated operational current 440 V load-break switch AC-21A	$I_e$	A	20
AC-3 motor load switch motor rating			
230 V	$P$	kW	3
230 V Star-delta	$P$	kW	4
400 V	$P$	kW	4
400 V Star-delta	$P$	kW	5,5
500 V	$P$	kW	5,5
500 V Star-delta	$P$	kW	7,5
690 V	$P$	kW	4
690 V Star-delta	$P$	kW	5,5
AC-23A Motor load switches (main switches maintenance switches)			
230 V	$P$	kW	3,5
400 V	$P$	kW	6,5
500 V	$P$	kW	13
Rated operational current control switch AC-15			
230 V	$I_e$	A	6
400 V	$I_e$	A	4
500 V	$I_e$	A	2
DC			
DC-1, Load-break switches L/R = 1 ms			
Rated operational current	$I_e$	A	10
Voltage per contact pair in series		V	60
DC-21A			

Rated operational current 240 V	$I_e$	A	1
240 V Contacts		Quantity	1
DC–23A, motor load switch L/R = 15 ms			
24 V			
Rated operational current	$I_e$	A	10
Contacts		Quantity	1
48 V			
Rated operational current	$I_e$	A	10
Contacts		Quantity	2
60 V			
Rated operational current	$I_e$	A	10
Contacts		Quantity	3
120 V			
Rated operational current	$I_e$	A	5
Contacts		Quantity	3
240 V			
Rated operational current	$I_e$	A	5
Contacts		Quantity	5
DC–13, Control switches L/R = 50 ms			
Rated operational current	$I_e$	A	10
Voltage per contact pair in series		V	32
Control circuit reliability at 24 V DC, 10 mA	Fault probability	H <sub>F</sub>	< 10 <sup>-5</sup> , < 1 fault in 100000 operations

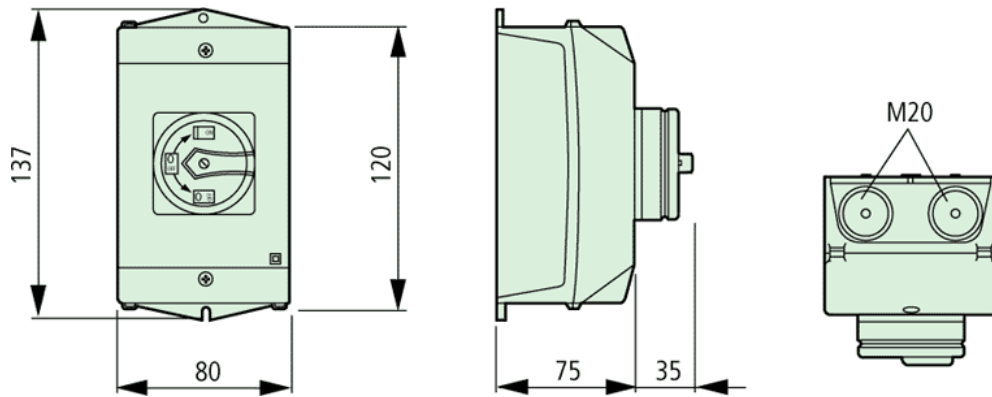
## Notes

### Notes

For mechanical shock resistance: T3.../I... >12g  
Applies to T0(3).../SVB: isolating characteristics to IEC/EN 60947 *U* for rated operational voltage up to 500 V AC  
Applies to rated uninterrupted current  $I_u$  of the contact: with T5–4–8344/I5 max. 95 A  
For terminal capacity solid, stranded and flexible:  
T0(3), (6), (8)...: Maximum of 2 cross-section sizes difference admissible between 2 conductors  
T5(B)–...: Maximum of 1

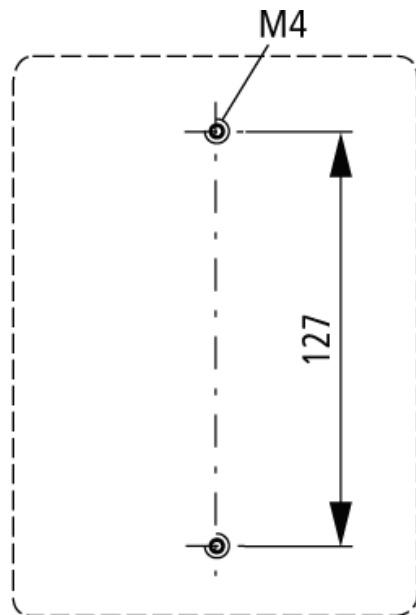
cross-section size  
difference admissible  
between 2 conductors  
For type T8-3-8342/... the  
following applies: switching  
angle = 90° and flat  
connection = 1 busbar 25 ×  
5 or 2 busbars 20 × 3

### Dimensions



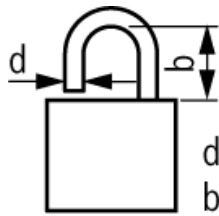
Depth of one contact unit: 9.5 mm

### Dimensions



Diameter of drilled hole Bottom

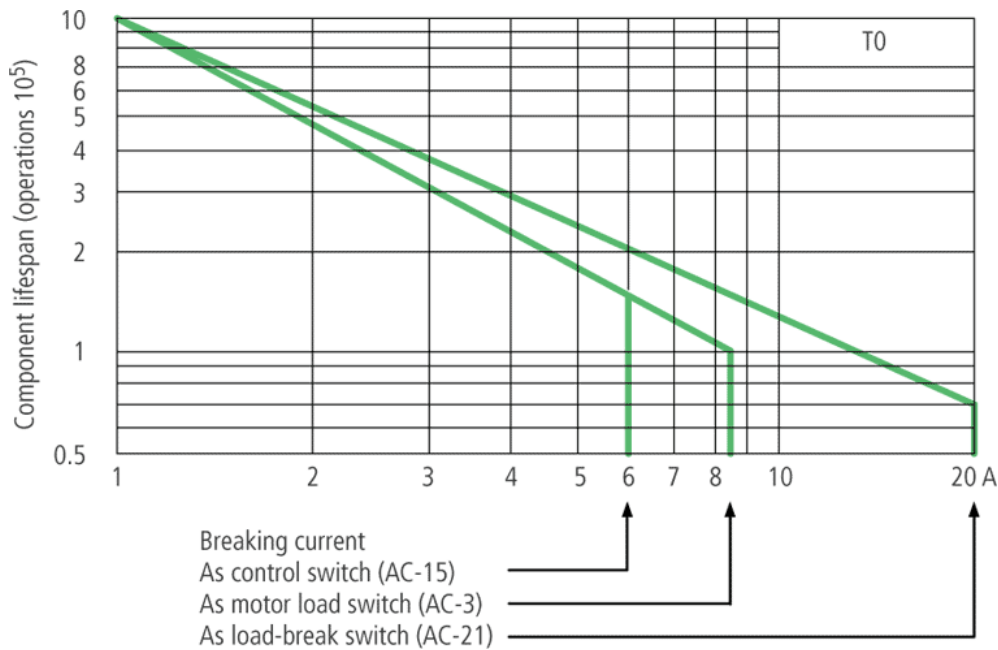
### Dimensions



$d = 4 - 8 \text{ mm}$   
 $b + d \leq 47 \text{ mm}$

### 3 Padlocks

#### Characteristic curve



For utilisation category AC-4 (extreme load: 100 % inching, reversing or plugging)  
 The blocked rotor current of the motor should not exceed the rated current of the switch for AC-21A  
 to ensure a reasonable device lifespan.

Moeller GmbH, Hein-Moeller-Str. 7-11, D-53115 Bonn  
 E-Mail: [catalog@moeller.net](mailto:catalog@moeller.net), Internet: [www.moeller.net](http://www.moeller.net), <http://catalog.moeller.net>  
 HPL-C2007G V2.1 © 2007 by Moeller GmbH