

Han Q1/0-M/M with housing (HBMA, black)



Image is for illustration purposes only. Please refer to product description.

Part number	09 12 001 2661
Specification	Han Q1/0-M/M with housing (HBMA, black)
HARTING eCatalogue	https://b2b.harting.com/09120012661

Identification

Category	Connector sets
Series	Han [®] Q
Identification	1/0 protected
Type of hood/housing	Bulkhead mounted housing

Version

Termination method	Axial screw termination
Gender	Male
Size	3 A
Number of contacts	1
Locking type	Single locking lever

Details	<p>The described connectors are connectors without breaking capacity (COC) according to IEC 61984 and must not be coupled or decoupled under electrical load during use as intended!</p> <p>Only cables with protection class 2 shall be used!</p> <p>The axial screw termination is suitable for fine stranded wires according to EN 60228 class 5. Using alternative cables have to be tested separately.</p> <p>For the assembly within bulkhead mounted housings the described installation conditions of the data and type sheets must be respected.</p> <p>For the connection of the conductor into the axial screw contact use hex key with A/F 4.</p>
---------	---

Technical characteristics

Rated current	100 A
Rated voltage	400 V
Rated impulse voltage	6 kV
Pollution degree	3



Pushing Performance
 Since 1945

Technical characteristics

Insulation resistance	>10 ¹⁰ Ω
Contact resistance	≤0.3 mΩ
Limiting temperature	-40 ... +125 °C
Mating cycles	≥500

Material properties

Material (insert)	Polycarbonate (PC)
Colour (insert)	RAL 7032 (pebble grey)
Material (contacts)	Copper alloy
Surface (contacts)	Silver plated
Material (hood/housing)	Zinc die-cast
Surface (hood/housing)	Powder-coated
Colour (hood/housing)	RAL 9005 (jet black)
Material (seal)	NBR
Material (locking)	Steel
Surface (locking)	Zinc plated
Material flammability class acc. to UL 94	V-0
RoHS	compliant with exemption
RoHS exemptions	6(a) / 6(a)-I: Lead as an alloying element in steel for machining purposes and in galvanised steel containing up to 0,35 % lead by weight / Lead as an alloying element in steel for machining purposes containing up to 0,35 % lead by weight and in batch hot dip galvanised steel components containing up to 0,2 % lead by weight 6(c): Copper alloy containing up to 4 % lead by weight
ELV status	compliant with exemption
China RoHS	50
REACH Annex XVII substances	Not contained
REACH ANNEX XIV substances	Not contained
REACH SVHC substances	Yes
REACH SVHC substances	Potassium 1,1,2,2,3,3,4,4,4-nonafluorobutane-1-sulphonate Lead
ECHA SCIP number	1e38d35d-d1be-4585-8e03-95faccd739bf
California Proposition 65 substances	Yes
California Proposition 65 substances	Lead Nickel Naphthalene
Fire protection on railway vehicles	EN 45545-2 (2020-08)

Material properties

Requirement set with Hazard Levels	R22 (HL 1-3)
	R23 (HL 1-3)

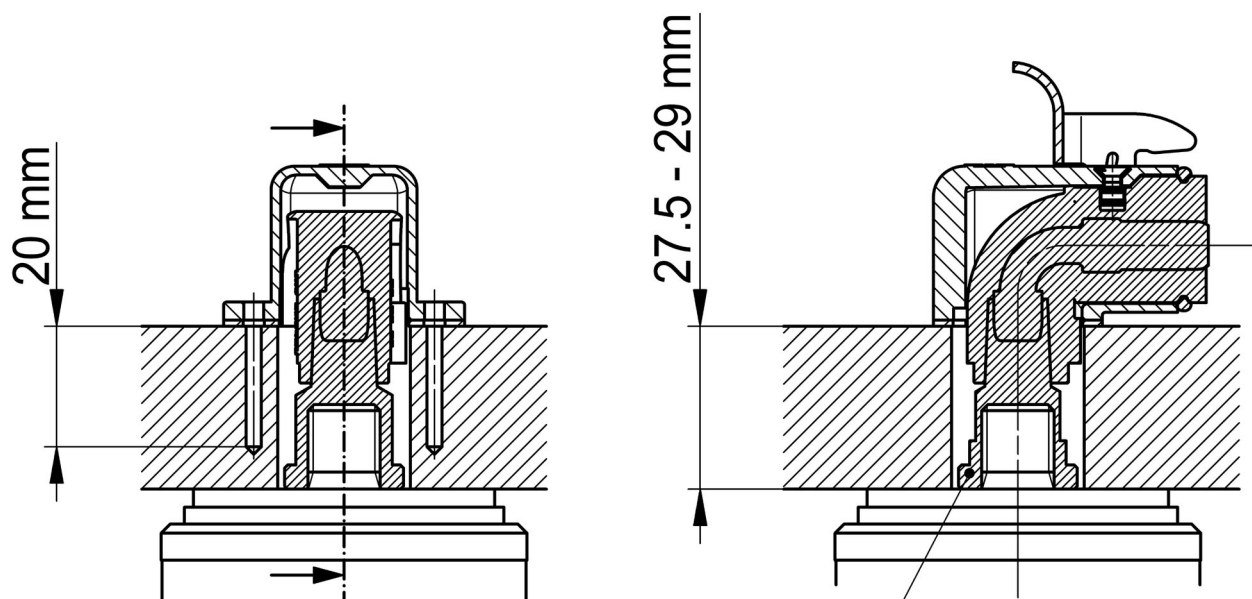
Specifications and approvals

Specifications	IEC 60664-1
	IEC 61984

Commercial data

Packaging size	1
Net weight	95.9 g
Country of origin	Germany
European customs tariff number	85366990
GTIN	5713140189706
eCl@ss	27440114 Rectangular connector (for field assembly)

Maximum drilling depth and insulation spacing



Female contact M12