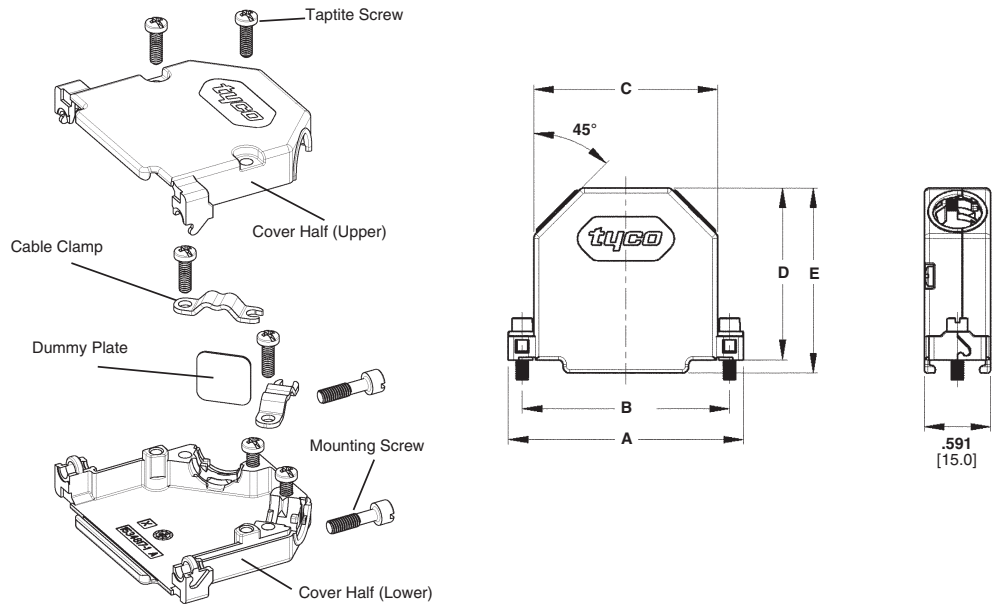
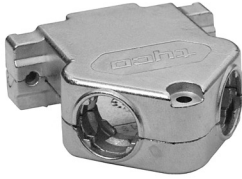


Die Cast Backshells, Single or Dual Cable Entry

Backshell Kit with Cable Clamp



Material and Finish:

Cable clamp—Steel, zinc plated

Taprite screw M2.5x8—Steel, zinc plated

Mounting screw UNC 4-40—Steel, zinc plated

Dummy plate—Steel

Cover half (upper)—GD-Zn

Cover half (lower)—GD-Zn

Technical Documents:

Product Specification

108-18880-1

Application Specification

114-18584-1

No. of Contacts	Dimensions					Part Number
	A	B	C	D	E	
*9	1.224 31.1	.984 25.0	1.063 27.0	1.388 35.0	1.496 38.0	1534805-1
15	1.555 39.5	1.311 33.3	1.299 33.0	1.535 39.0	1.654 42.0	1534807-1
25	2.098 53.3	1.850 47.0	1.642 41.7	1.535 39.0	1.654 42.0	1534809-1
37	2.748 69.8	2.500 63.5	2.291 58.2	1.535 39.0	1.654 42.0	1534811-1

Recommended cable diameter: 4.8mm - 11.0mm (* 4.8mm-9.0mm)