

206434-1 ✓ ACTIVE

AMP | AMP CPC

TE Internal #: 206434-1

Circular Power Connectors, Housing, 250 VDC, Wire-to-Wire, 8 Position, Wire & Cable, Plug, Reverse Gender, Pin, Signal, Black, All Plastic, AMP CPC

[View on TE.com >](#)



Connectors > Power Connectors > Circular Power > Circular Power Connectors > CPC Connectors, Series 2



Connector Product Type: **Housing**

Operating Voltage: **250 VDC**

Connector System: **Wire-to-Wire**

Number of Positions: **8**

Sealable: **No**

[All CPC Connectors, Series 2 \(23\)](#)

Features

Product Type Features

Connector Product Type	Housing
Connector System	Wire-to-Wire
Sealable	No
Connector & Contact Terminates To	Wire & Cable
Connector & Housing Type	Plug
Circular Connector Shell Type	All Plastic

Configuration Features

Reverse Numbering	Without
Number of Positions	8
Number of Power Positions	0
Number of Signal Positions	8

Electrical Characteristics



Operating Voltage	250 VAC
-------------------	---------

Contact Features

Reverse Gender	Yes
----------------	-----

Contact Type	Pin
--------------	-----

Contact Current Rating (Max)	7.5 A
------------------------------	-------

Contact Protection	With
--------------------	------

Mechanical Attachment

Mating Alignment Type	Keyed
-----------------------	-------

Mating Alignment	With
------------------	------

Panel Mount Feature Type	Flange
--------------------------	--------

Mating Retention Type	Threaded Coupling
-----------------------	-------------------

Screw & Hole Thread Size	5/8-24 UNEF-2A
--------------------------	----------------

Connector Mounting Type	Cable Mount (Free-Hanging)
-------------------------	----------------------------

Mating Retention	With
------------------	------

Panel Mount Feature	Without
---------------------	---------

Housing Features

Body Orientation	Straight
------------------	----------

Housing Color	Black
---------------	-------

Housing Material	Thermoplastic
------------------	---------------

Circular Connector Shell Size	11
-------------------------------	----

Dimensions

Accepts Insulation Diameter Range	1.73 mm [.068 in]
-----------------------------------	-------------------

Usage Conditions

Operating Temperature Range	-55 – 105 °C [-67 – 221 °F]
-----------------------------	-----------------------------

Fluid Resistance	None
------------------	------

Operation/Application

Circuit Application	Signal
---------------------	--------

Shielded	No
----------	----

Industry Standards

UL Flammability Rating	UL 94V-0
------------------------	----------

Packaging Features

Packaging Quantity	100
--------------------	-----



Packaging Method

Bag

Product Compliance

[For compliance documentation, visit the product page on TE.com>](#)

EU RoHS Directive 2011/65/EU	Compliant
EU ELV Directive 2000/53/EC	Compliant
China RoHS 2 Directive MIIT Order No 32, 2016	No Restricted Materials Above Threshold
EU REACH Regulation (EC) No. 1907/2006	Current ECHA Candidate List: JAN 2023 (233) Candidate List Declared Against: JAN 2023 (233) Does not contain REACH SVHC
Halogen Content	BFR/CFR/PVC Free, but Br/Cl >900 ppm in other sources.
Solder Process Capability	Not applicable for solder process capability

Product Compliance Disclaimer

This information is provided based on reasonable inquiry of our suppliers and represents our current actual knowledge based on the information they provided. This information is subject to change. The part numbers that TE has identified as EU RoHS compliant have a maximum concentration of 0.1% by weight in homogenous materials for lead, hexavalent chromium, mercury, PBB, PBDE, DBP, BBP, DEHP, DIBP, and 0.01% for cadmium, or qualify for an exemption to these limits as defined in the Annexes of Directive 2011/65/EU (RoHS2). Finished electrical and electronic equipment products will be CE marked as required by Directive 2011/65/EU. Components may not be CE marked. Additionally, the part numbers that TE has identified as EU ELV compliant have a maximum concentration of 0.1% by weight in homogenous materials for lead, hexavalent chromium, and mercury, and 0.01% for cadmium, or qualify for an exemption to these limits as defined in the Annexes of Directive 2000/53/EC (ELV). Regarding the REACH Regulation, the information TE provides on SVHC in articles for this part number is based on the latest European Chemicals Agency (ECHA) 'Guidance on requirements for substances in articles' posted at this URL: <https://echa.europa.eu/guidance-documents/guidance-on-reach>

Compatible Parts



TE Part # CAT-AM71-C83998M
CPC Connectors, Series 2




TE Part # CAT-AM71-C83998
CPC Heat Shrink Strain Reliefs



TE Part # CAT-AM71-C83998B
CPC Cable Clamps



TE Part # CAT-035-DCCSC20
D-Sub Conn Contacts: Socket, Phosphor Bronze, Signal, Size 20

TE Part # CAT-035-DCCPB20
D-Sub Connector Contacts: Pin, Brass, Signal, Size 20



TE Part # CAT-AM71-C83998DD
Connectors, CPC Series 2, with Posted Contacts



TE Part # 91503-1
CCII AMPLIMITE 20 DF PIN SKT 28-20 ASSY



TE Part # 208800-1
SEALING CAP ASSY, SZ 11, CPC



TE Part # 207489-1
FLEXIBLE CABLE BOOT, SIZE 11



TE Part # 207490-1
CABLE GRIPPER, SIZE 11



TE Part # 206903-2
SEALING CAP ASSY, SZ 11, CPC



TE Part # 205089-1
HD 20 PIN CONTACT



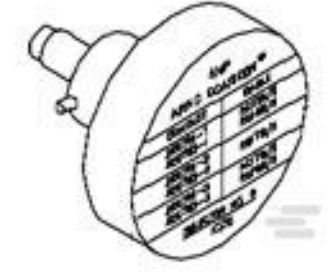
TE Part # 205090-1
HD 20 SOCKET CONTACT



TE Part # 213811-1
COUPLING RING, SZ 11, CPC



TE Part # 207299-1
PLUG MTG. FLANGE NO 11 CPC



TE Part # 601966-5
K13-1 POSITIONER



TE Part # 601966-1
CRIMPING TOOL M22520/2-01



TE Part # 205089-2
PIN CONTACT, SZ 20, AMPLIMITE




TE Part # 206509-1
SIZE 20 KEYING PLUG




TE Part # 205090-2
SKT CONT ASSY, SZ 20, AMPLIMITE


Also in the Series | AMP CPC




Circular Connector Adapters(7)



Circular Connector Boots & Strain Relief(6)



Circular Connector Caps & Covers(16)



Circular Connector Hardware(3)



Circular Connector Keying Plugs(2)



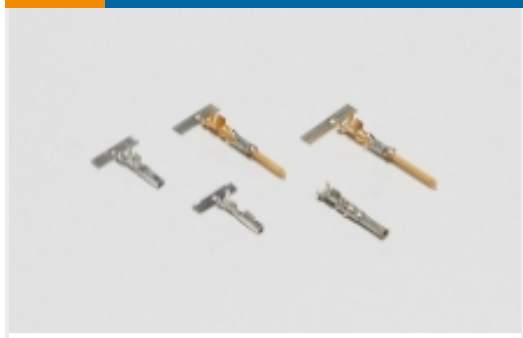
Circular Connector Seals(36)



Circular Power Connectors(459)



Insertion & Extraction Tools(1)



Power Contacts(6)



Sealing Sleeves(2)



Unscreened Circular Connector Backshells & Clamps(56)

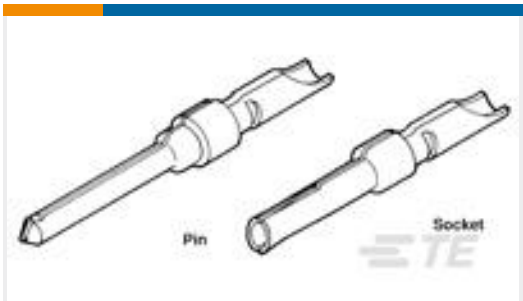
Customers Also Bought



TE Part #206429-1
CPC PLUG ASSY, 11-4, REV SEX



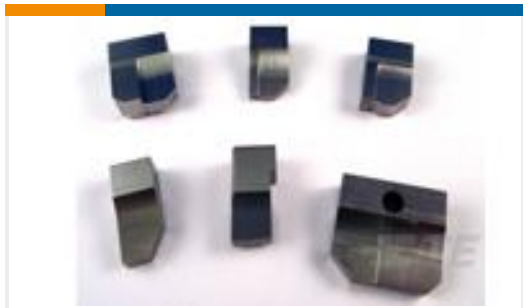
TE Part #205841-1
CPC RECPT ASSEMBLY SIZE 11-8



TE Part #66570-3
20DF PIN CONT. LP



TE Part #205841-2
CPC RECPT ASSEMBLY SIZE 11-8



TE Part #5-240654-8
ANVIL



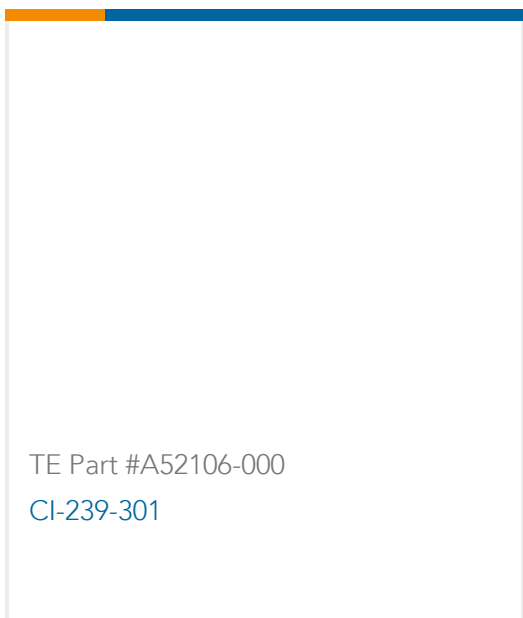
TE Part #6911-0000-065
ROTOR ASSY



TE Part #6911-2032-070
ELEMENT ASSY, STD EXIT



TE Part #7040-0006-002
INSULATOR, SPLIT, .125 ID X .0



TE Part #A52106-000
CI-239-301

Documents



Product Drawings

CPC PLUG ASSEMBLY SIZE 11-8

English

CAD Files

3D PDF

English

Customer View Model

[ENG_CVM_206434-1_F.2d_dxf.zip](#)

English

Customer View Model

[ENG_CVM_206434-1_F.3d_igs.zip](#)

English

Customer View Model

[ENG_CVM_206434-1_F.3d_stp.zip](#)

English

3D PDF

3D

Customer View Model

[ENG_CVM_CVM_206434-1_L.2d_dxf.zip](#)

English

Customer View Model

[ENG_CVM_CVM_206434-1_L.3d_igs.zip](#)

English

Customer View Model

[ENG_CVM_CVM_206434-1_L.3d_stp.zip](#)

English

By downloading the CAD file I accept and agree to the [Terms and Conditions](#) of use.

Datasheets & Catalog Pages

AMP Circular Connectors for Commercial Signal & Power Applications

English

Product Environmental Compliance

[MD_206434-1_05042018125_dmtec](#)

English

[MD_206434-1_05042018125_dmtec](#)

English

Instruction Sheets

[Instruction Sheet \(U.S.\)](#)

English

Agency Approvals

[CSA Certificate](#)

English



[CSA Certificate](#)

English