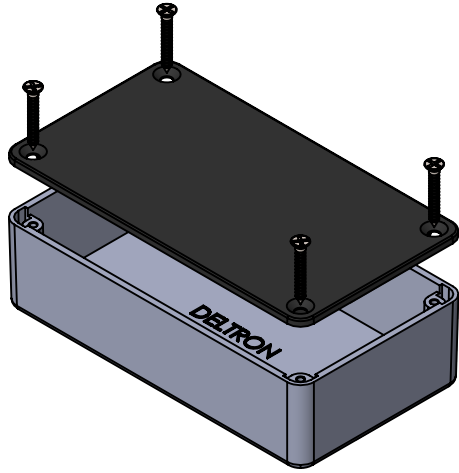
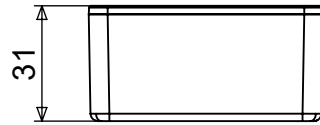


REV	DATE	ECN NUMBER	ECR COMMENT
005	21 Jul 2020	C04677	
004	07 Jul 2020	C04677	UPDATE BORDER, ADD RAL NUMBERS AND RAL COLOUR DESCRIPTION

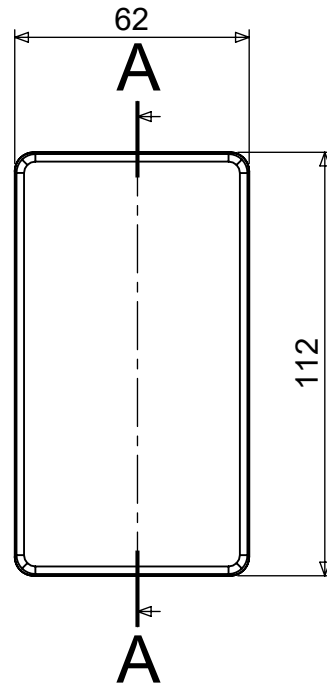
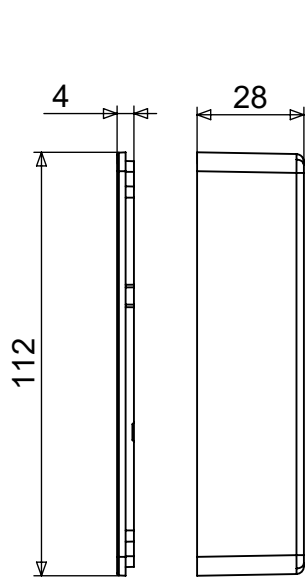


ABS ENCLOSURE

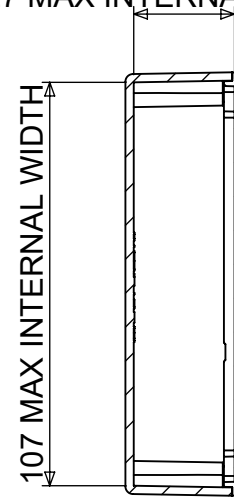
- INJECTION MOULDED ENCLOSURE
- DIMENSIONS 112 X 62 X 31
- IP54 RATED
- LIGHTLY TEXTURED MATT FINISH
- ROHS AND REACH COMPLIANT
- THE LID IS SECURED BY SELF-TAPPING SCREWS
- EASILY MACHINED
- WEIGHT 0.55G
- COUNTRY OF ORIGIN UK



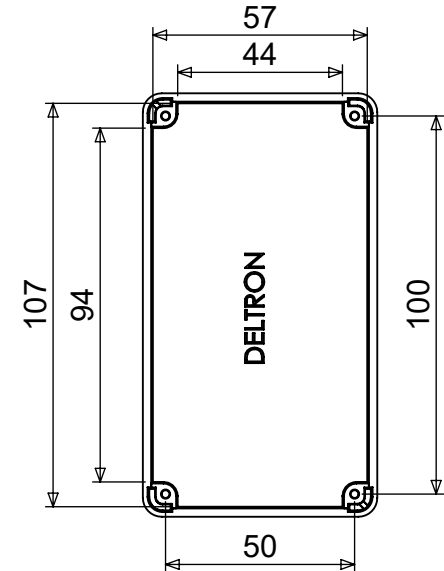
PART NUMBER	COLOUR	RAL No	RAL COLOUR
479-0020 -0	CLEAR	N/A	CLEAR
479-0020 -1	BLACK	RAL9005	JET BLACK
479-0020 -2	BLUE	RAL5002	ULTRAMARINE BLUE
479-0020 -3	BROWN	RAL8011	NUT BROWN
479-0020 -4	GREEN	RAL6024	TRAFFIC GREEN
479-0020 -5	RED	RAL3020	TRAFFIC RED
479-0020 -6	WHITE	RAL9003	SIGNAL WHITE
479-0020 -7	YELLOW	RAL1021	COLZA YELLOW
479-0020 -8	PURPLE	RAL4005	BLUE LILAC
479-0020 -9	GREY	RAL7046	TELEGREY2
479-0020 -10	ORANGE	RAL2003	PASTEL ORANGE
479-0020 -11	CREAM	RAL1015	LIGHT IVORY



27 MAX INTERNAL HEIGHT



SECTION A-A
SCALE 1 : 2



OPTIONAL EXTRAS

Self adhesive feet 12mm round x 4mm deep, part No. FIX173
Also available in anti-static material

PROPRIETARY AND CONFIDENTIAL:
THE INFORMATION CONTAINED IN THIS DRAWING IS THE SOLE PROPERTY OF ALPHA 3 MANUFACTURING. ANY REPRODUCTION IN PART OR AS A WHOLE WITHOUT THE WRITTEN PERMISSION OF ALPHA 3 MANUFACTURING IS PROHIBITED.
DEM Manufacturing is a division of Alpha 3 Manufacturing LTD
DEM Manufacturing, Deltron Emcon House, Hargreaves Way, Sawcliffe Ind. Park, Scunthorpe, North Lincolnshire, DN15 8RF, UK

UNLESS OTHERWISE SPECIFIED DIMENSIONS ARE IN MILLIMETRES
LINEAR & RADIAL TOLERANCE:
NO DECIMAL PLACES ±0.5mm
1 DECIMAL PLACE ±0.25mm
2 DECIMAL PLACES ±0.125mm
ANGULAR TOLERANCE: ±1°

IF IN DOUBT ASK! DO NOT SCALE DRAWING!
FINISH LIGHTLY TEXTURED / MATT
MATERIAL ABS
THE FINISHED PRODUCT SHOULD BE CLEAN AND FREE FROM ALL LIQUIDS AND DEBRIS. SURFACES SHOULD BE OF UNIFORM APPEARANCE FREE FROM SHARP EDGES, BURRS AND CORROSION

AUTHOR AY
EDITOR DT
APPROVER PA
THIRD ANGLE PROJECTION
SHEET 1 OF 1
SCALE 1:1.5 A4

TITLE ABS 479-0020 ENCL'
FILE 479-0020 SPECIFICATION
PART BOX & LID ASSEMBLY
ISSUE/REV. 005
EDIT DATE 20/07/2020
RELEASED
RELEASE DATE 21/07/2020