



Sample image

## Datasheet

**Article number:** 70007259

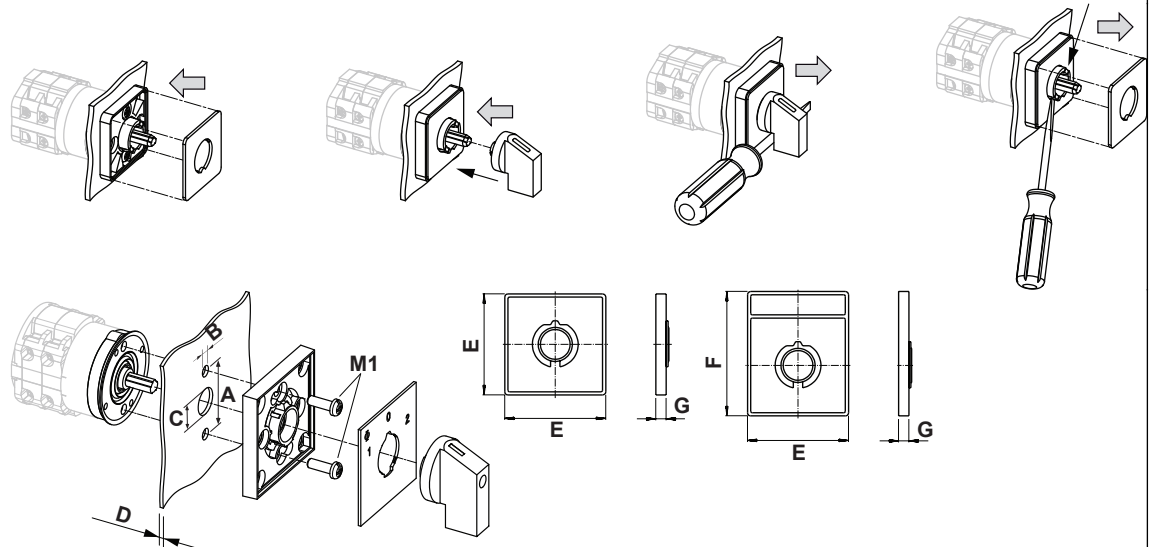
**Designation:** CA4.A175.E

**Description:** Switch

IEC 60947-3 EN 60947-3, VDE 0660 Teil 107						
<b>Märkdriftspänning Ui</b>						
Spänning (V) AC / DC						
440 AC / DC						
<b>Märkdriftström vid konstant drift</b>						
Ström (A)	Omgivningstemperatur (°C)	Temperatur topp (°C) ytterligare krav				
10	55	60 Omgivningstemperatur +55°C under 24 timmar med toppar upp till +60°C				
<b>Märkdriftström Ie</b>						
Urvals kriterie						
			Spänning (V)	Ström (A)		
AC-15			220 - 240		2,50	
AC-15			380 - 440		1,50	
<b>Märkdrifteffekt</b>						
Urvals kriterie	Spänning (V)	No. of phases		No. of poles	Effekt (kW)	
AC-3	220 - 240	3		3	1,50	
AC-3	380 - 440	3		3	2,20	
AC-3	220 - 240	1		2	0,55	
AC-3	380 - 440	1		2	0,75	
AC-23A	220 - 240	3		3	1,80	
AC-23A	380 - 440	3		3	3	
AC-23A	220 - 240	1		2	0,75	
AC-23A	380 - 440	1		2	1,10	
<b>Max försäkring, IEC</b>						
Säkringskarakteristik				Antal säkringar	Ström (A)	
gG				1	10	
<b>UL60947-4-1, UL508</b>						
<b>Nominal Voltage</b>						
Spänning (V) AC / DC						
300 AC						
<b>Märkdriftspänning Ui</b>						
Spänning (V) AC / DC						
300 AC						
<b>Rated thermal current</b>						
Ström (A)		Omgivningstemperatur (°C)		Additional Text		
10		0 - 40		-		
<b>Horsepower rating</b>						
Across-the-Line Motor Starting						
	Spänning (V)	No. of phases	No. of poles	Power (HP)	Ambient temperature [°C]	
DOL	110 - 120	1	2	0,33	40	
DOL	220 - 240	1	2	0,75	40	
DOL	277 - 277	1	2	0,75	40	
DOL	110 - 120	3	3	0,75	40	
DOL	220 - 240	3	3	1	40	
<b>Pilot duty rating code</b>						
Duty Code						
A300						
<b>Temp. rating of wire</b>						
Temperature rating (°C)				Ström (A) Text		
60 - 75				- Use copper wire only		
<b>General Use</b>						
AC / DC	Spänning (V)	Ström (A)	No. of phases	No. of poles	No. of contacts in series	
AC	120	10	1	1	1	
AC	277	10	1	2	1	
AC	277	10	3	3	1	
<b>CSA</b>						
<b>Nominal Voltage</b>						
Spänning (V) AC / DC						
300 AC						
<b>Märkdriftspänning Ui</b>						
Spänning (V) AC / DC						
300 AC						

<b>Rated thermal current</b>						
		Ström (A)		Omgivningstemperatur (°C)		Additional Text
		10		0 - 40		--
<b>Horsepower rating</b>						
<i>Across-the-Line Motor Starting</i>						
	Spänning (V)	No. of phases	No. of poles	Power (HP)	Ambient temperature [°C]	
DOL	110 - 120	1	2	0,33	40	
DOL	220 - 240	1	2	0,75	40	
DOL	277 - 277	1	2	0,75	40	
DOL	110 - 120	3	3	0,75	40	
DOL	220 - 240	3	3	1	40	
<b>Pilot duty rating code</b>						
Duty Code						
A300						
<b>Temp. rating of wire</b>						
		Temperature rating (°C)		Ström (A)		Text
		75				-- only
<b>General Use</b>						
AC / DC	Spänning (V)	Ström (A)	No. of phases	No. of poles	No. of contacts in series	
AC	120	10	1	1	1	
AC	277	10	1	2	1	
<b>GENERAL TECHNICAL INFORMATION</b>						
<b>Tightening torque of screws</b>						
		tightening torque (Nm)		tightening torque (lb-in)		
		0,40		3,50		
<b>Stripping length</b>						
		Length (mm) --				
		6		STRIPPINGLENGTH		
<b>Size of conductor</b>						
composition of conductor	Min. / Max. value	No. of conductor per terminal		Cross section (mm <sup>2</sup> ) or (AWG/kcmil)	Material of the wire	
solid wire	Min.	1		0,5mm <sup>2</sup>	Copper	
solid wire	Min.	2		0,5mm <sup>2</sup>	Copper	
flexible wire	Min.	1		0,75mm <sup>2</sup>	Copper	
flexible wire	Min.	2		0,75mm <sup>2</sup>	Copper	
flexible wire	Max.	2		AWG 16	Copper	
flexible wire	Max.	2		1,5mm <sup>2</sup>	Copper	
Single-core or stranded wire	Max.	2		AWG 14	Copper	
Single-core or stranded wire	Max.	2		1,5mm <sup>2</sup>	Copper	
flexible wire with ferrule according to DIN 46228	Max.	2		1mm <sup>2</sup>	Copper	
flexible wire with ferrule according to DIN 46228	Min.	1		0,5mm <sup>2</sup>	Copper	
flexible wire with ferrule according to DIN 46228	Min.	2		0,5mm <sup>2</sup>	Copper	
<b>Approbations</b>						
Specification						Marking
EAC						
CE marking						
UK Directives						
CSA C.22.2 No.14						
<b>Rekomenderad skruvmejsel</b>						
Typ av skruvmejsel		Value				
Stjärnskruvmejsel		PH1				
Slot screwdriver according to DIN 5264		0,6x3,5				
<b>General Information</b>						
Text						
- Smörjning och behandling av kontakterna är förbjuden.						
- Inkoppling och service av strömställaren får endast utföras av behörig personal. Strömställaren är underhållsfri.						
- Använd endast kopparkabel. Kabeln får inte förtennas.						
- Alla anslutningsskruvar måste dras med rekommenderat moment, även de som inte används då det kan finnas interna överkopplingar.						
- Vid installation av strömställaren skall kontrolleras att kryp- och luftavstånd motsvarar gällande föreskrifter.						
<b>Waste Electrical &amp; Electronic Equipment (WEEE)</b>						
Picture name		Description				
		Do not throw in the trash as care must be taken to ensure environmentally sound disposal and recycling. Please either use an environmentally friendly waste disposal company; return to the supplier for disposal; or return direct to the manufacturer, Kraus & Naimer. You can find local Kraus & Naimer offices at <a href="http://www.krausnaimer.com">www.krausnaimer.com</a>				
<b>Proposition 65</b>						
Picture name		Description				
		WARNING: This product can expose you to chemicals including nickel and lead, which is known to the State of California to cause cancer. For more information go to <a href="http://www.P65Warnings.ca.gov">www.P65Warnings.ca.gov</a> .				
Classification Contact: Rigid contact bridge						
Classification Contact Mat: Silver						
Classification Terminal: Screw terminal						

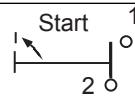
Mounting-E



Skyddsklass frontpanel, IP		IP40
Stages		1,00 - 9,00
A	H	20,00 mm
B	Ø	3,20 mm
C	Ø	8,00 - 11,00 mm
D	H	<= 4,00 mm
E	H	30,00 mm
F	H	39,00 mm
G	H	5,50 mm
M1	⌀	0,40 Nm


## Wiring diagram

CA4.A175.E



## Switch program

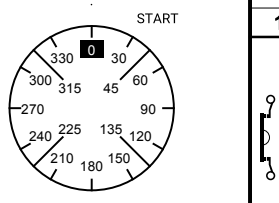
CA4.A175.E



CA4

A175

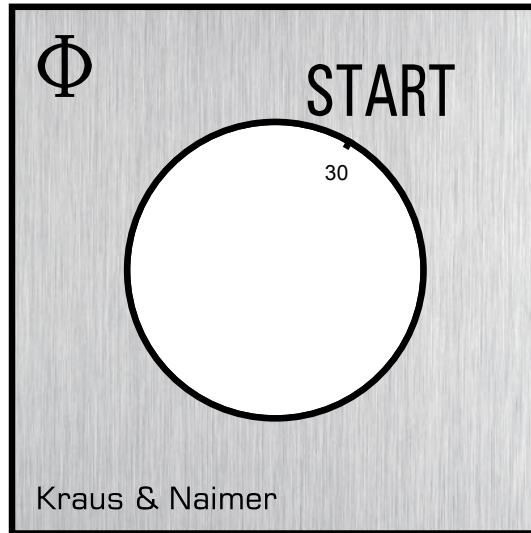
Page 1 of 1

Face Plate																																																														
	1	3	5	7	9	11	13	15	17	19	21	23																																																		
	Switching Angle <input style="width: 40px;" type="text" value="30"/> Total switching Angle <input style="width: 40px;" type="text" value="30"/>	2	4	6	8	10	12	14	16	18	20	22	24																																																	
<table border="1" style="width: 100%; border-collapse: collapse;"> <tr><td style="width: 10px; text-align: center;">0</td><td style="width: 10px;"></td></tr> <tr><td style="text-align: center;">15</td><td></td></tr> <tr><td style="text-align: center;">30</td><td style="background-color: black;"></td></tr> <tr><td style="text-align: center;">45</td><td></td></tr> <tr><td style="text-align: center;">60</td><td></td></tr> <tr><td style="text-align: center;">75</td><td></td></tr> <tr><td style="text-align: center;">90</td><td></td></tr> <tr><td style="text-align: center;">105</td><td></td></tr> <tr><td style="text-align: center;">120</td><td></td></tr> <tr><td style="text-align: center;">135</td><td></td></tr> <tr><td style="text-align: center;">150</td><td></td></tr> <tr><td style="text-align: center;">165</td><td></td></tr> <tr><td style="text-align: center;">180</td><td></td></tr> <tr><td style="text-align: center;">195</td><td></td></tr> <tr><td style="text-align: center;">210</td><td></td></tr> <tr><td style="text-align: center;">225</td><td></td></tr> <tr><td style="text-align: center;">240</td><td></td></tr> <tr><td style="text-align: center;">255</td><td></td></tr> <tr><td style="text-align: center;">270</td><td></td></tr> <tr><td style="text-align: center;">285</td><td></td></tr> <tr><td style="text-align: center;">300</td><td></td></tr> <tr><td style="text-align: center;">315</td><td></td></tr> <tr><td style="text-align: center;">330</td><td></td></tr> <tr><td style="text-align: center;">345</td><td></td></tr> </table>	0		15		30		45		60		75		90		105		120		135		150		165		180		195		210		225		240		255		270		285		300		315		330		345															
0																																																														
15																																																														
30																																																														
45																																																														
60																																																														
75																																																														
90																																																														
105																																																														
120																																																														
135																																																														
150																																																														
165																																																														
180																																																														
195																																																														
210																																																														
225																																																														
240																																																														
255																																																														
270																																																														
285																																																														
300																																																														
315																																																														
330																																																														
345																																																														

Version: 119

**Face plate**

S00.F023/A1B.PE



## HANDLES

**Designation:** S00.G251  
**Handle colour:** "1" black

