

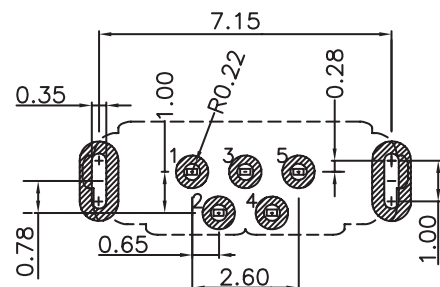
1

2

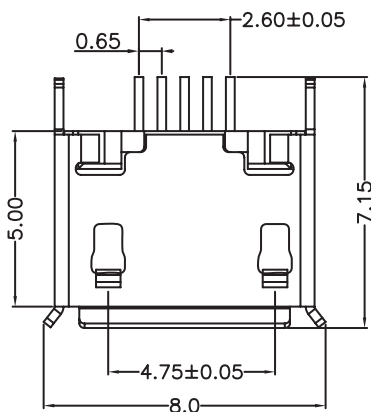
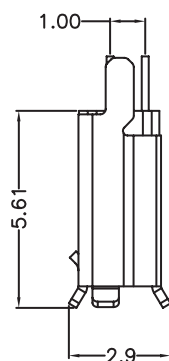
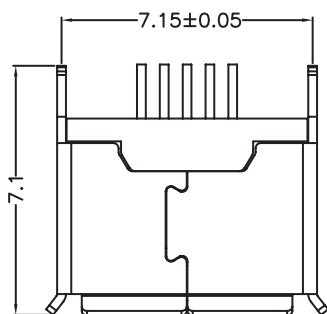
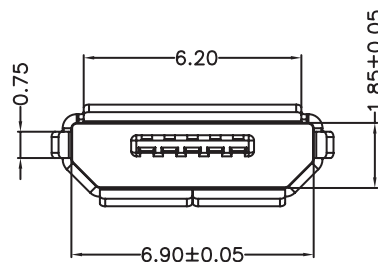
3

4

5



RECOMMENDED PCB LAYOUT
RECOMMENDED PCB THICKNESS : 1.0 mm



TECHNICAL CHARACTERISTICS

MATERIAL
INSULATOR: LCP
FLAMMABILITY RATING: UL94-V0
COLOR: BLACK
CONTACT MATERIAL: COPPER ALLOY
CONTACT TYPE: STAMPED
CONTACT PLATING: GOLD
SHIELDING: STAINLESS STEEL MATT TIN PLATED
QUALITY CLASS: 10000 MATING CYLCES

ENVIRONMENTAL
OPERATING TEMPERATURE: -40°C UP TO +85°C
COMPLIANCE: LEAD FREE AND ROHS

ELECTRICAL
CURRENT RATING: 1.8 A PIN1 & PIN 5
1.0 A OTHER PINS
WORKING VOLTAGE: 30 VAC
INSULATION RESISTANCE: >1000 MΩ
WITHSTANDING VOLTAGE: 100 VAC/MIN
CONTACT RESISTANCE: 30 mΩ MAX



STANDARD
 CERTIFIED: E323964

SOLDERING
JEDEC LEAD FREE WAVE SOLDERING

PACKAGING
TAPE & REEL

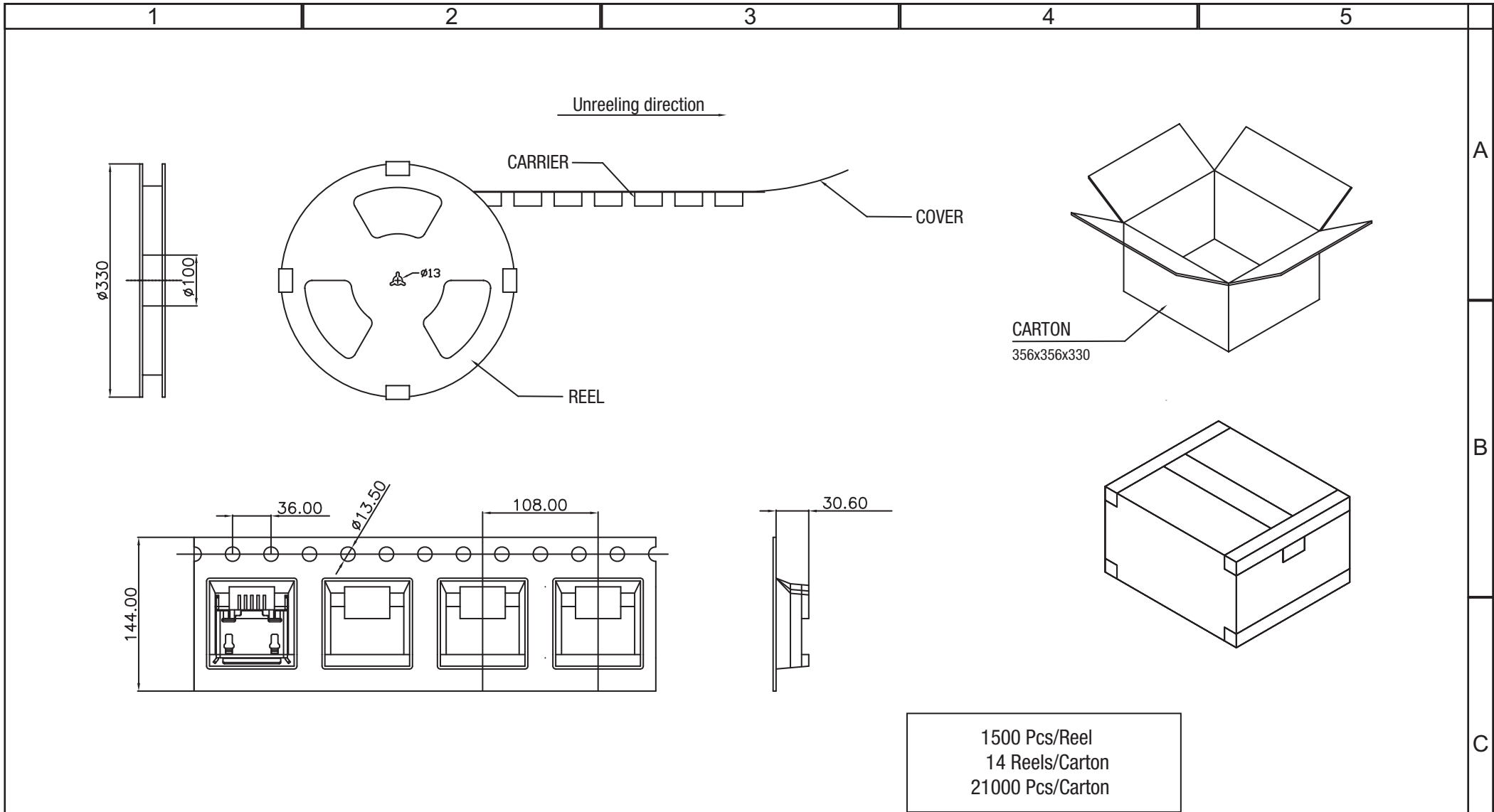
NOTE: TAPE & REEL NOT FOR PICK & PLACE MACHINE

RoHS Compliant

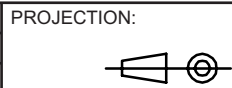
G				PROJECTION: 	GENERAL TOLERANCE .X = ± 0.3 .XX = ± 0.20	 WÜRTH ELEKTRONIK	
F							
E							
D	24-NOV-15	UL CERTIFICATION	AK				
C	09-AVR-15	PCB THICKNESS	QP	APPROVAL: NPr	UNIT: MM	DESCRIPTION: MICRO USB 2.0 TYPE B - VERTICAL - THT	
B	27-OCT-14	REVIEW	QL		SCALE:		
A	29-JUL-14	PDF	AS		SHEET: 1/3		WERI PART NO: 614 105 150 721
REV	DATE	FILE	BY		DRAW: AS		

SIZE

A4



RoHS Compliant			
G			
F			
E			
D			
C			
B			
A	23-JUL-14	PDF	AS
REV	DATE	FILE	BY



APPROVAL: NPr

GENERAL TOLERANCE
.X = +/- 0.2
.XX = +/- 0.15

UNIT: MM
SCALE:
SHEET: 2/3
DRAW: AS

1500 Pcs/Reel
14 Reels/Carton
21000 Pcs/Carton



DESCRIPTION: MICRO USB 2.0 TYPE B - VERTICAL - THT

WERI PART NO: 614 105 150 721

SIZE
A4

1

2

3

4

5

Cautions and Warnings:

This electronic component is designed and developed with the intention for use in general electronics equipments.

Before incorporating the components into any equipments in the field such as aerospace, aviation, nuclear control, submarine, transportation, (automotive control, train control, ship control), transportation signal, disaster prevention, medical, public information network etc. where higher safety and reliability are especially required or if there is possibility of direct damage or injury to human body, Würth Elektronik must be asked for a written approval.

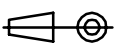

In addition, even electronic component in general electronic equipments, when used in electrical circuits that require high safety, reliability functions or performance, the sufficient reliability evaluation-check for the safety must be performed before by the user before usage.

A

B

C

RoHS Compliant

G				PROJECTION: 	GENERAL TOLERANCE .X = +/- 0.2 .XX = +/- 0.15		
F							
E							
D							
C				APPROVAL: JC	UNIT: MM	DESCRIPTION: DISCLAIMER	SIZE A4
B					SCALE:		
A	10-SEP-14	PDF	QL		SHEET: 3/3	WERI PART NO: DISCLAIMER	
REV	DATE	FILE	BY		DRAW: QL		

D