

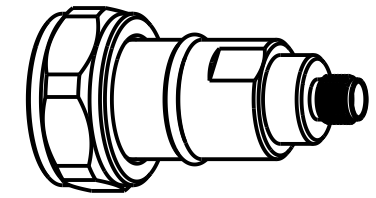
NOTES:

1. MATERIALS AND FINISH:
 BODY - BRASS, WHITE BRONZE PLATING
 CONTACT - BERYLLIUM COPPER, SILVER PLATING
 INSULATOR - PTFE, NATURAL
2. ELECTRICAL:
 A. IMPEDANCE: 50 OHM
 B. FREQUENCY RANGE: DC-6 GHz
 C. VSWR; 1.08 MAX @ DC - 4 GHz
 D. DIELECTRIC WITHSTANDING VOLTAGE: 1500 VRMS. MIN.
3. MECHANICAL:
 A. DURABILITY: 500 CYCLES MIN.
 B. TEMPERATURE RANGE: -65°C TO +165°C

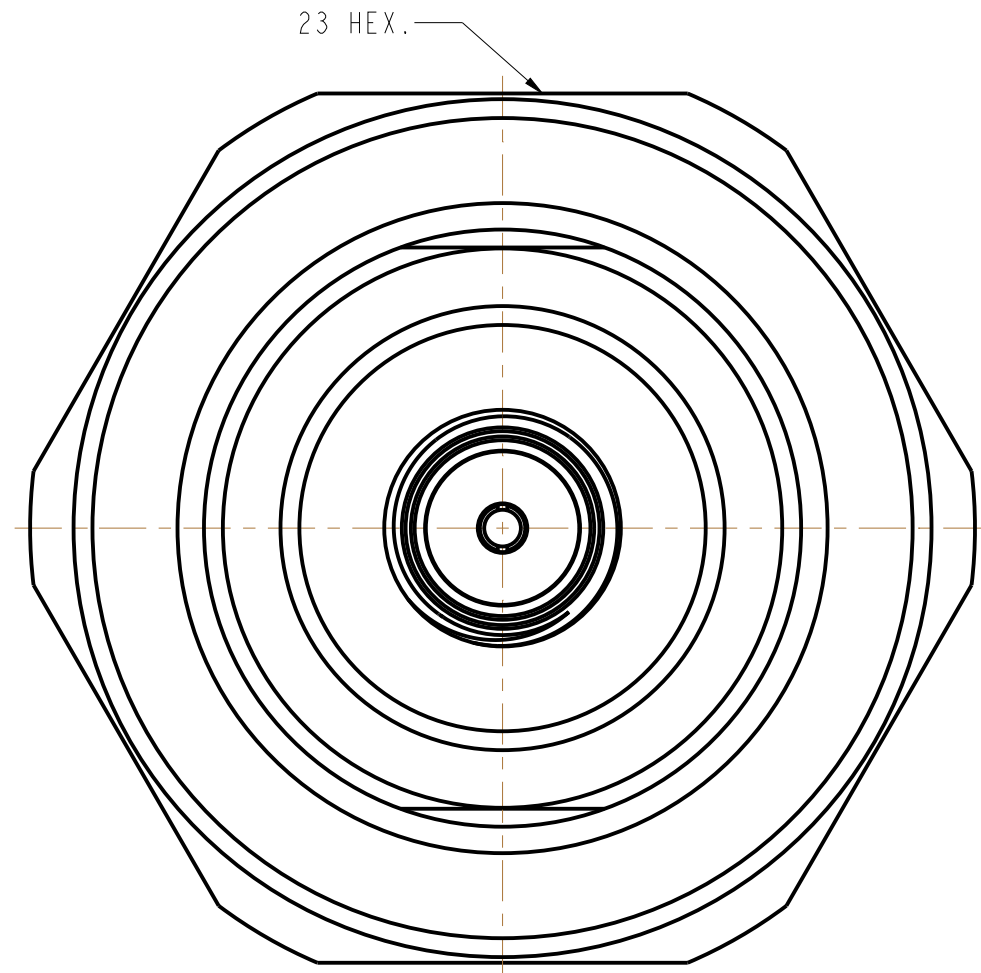
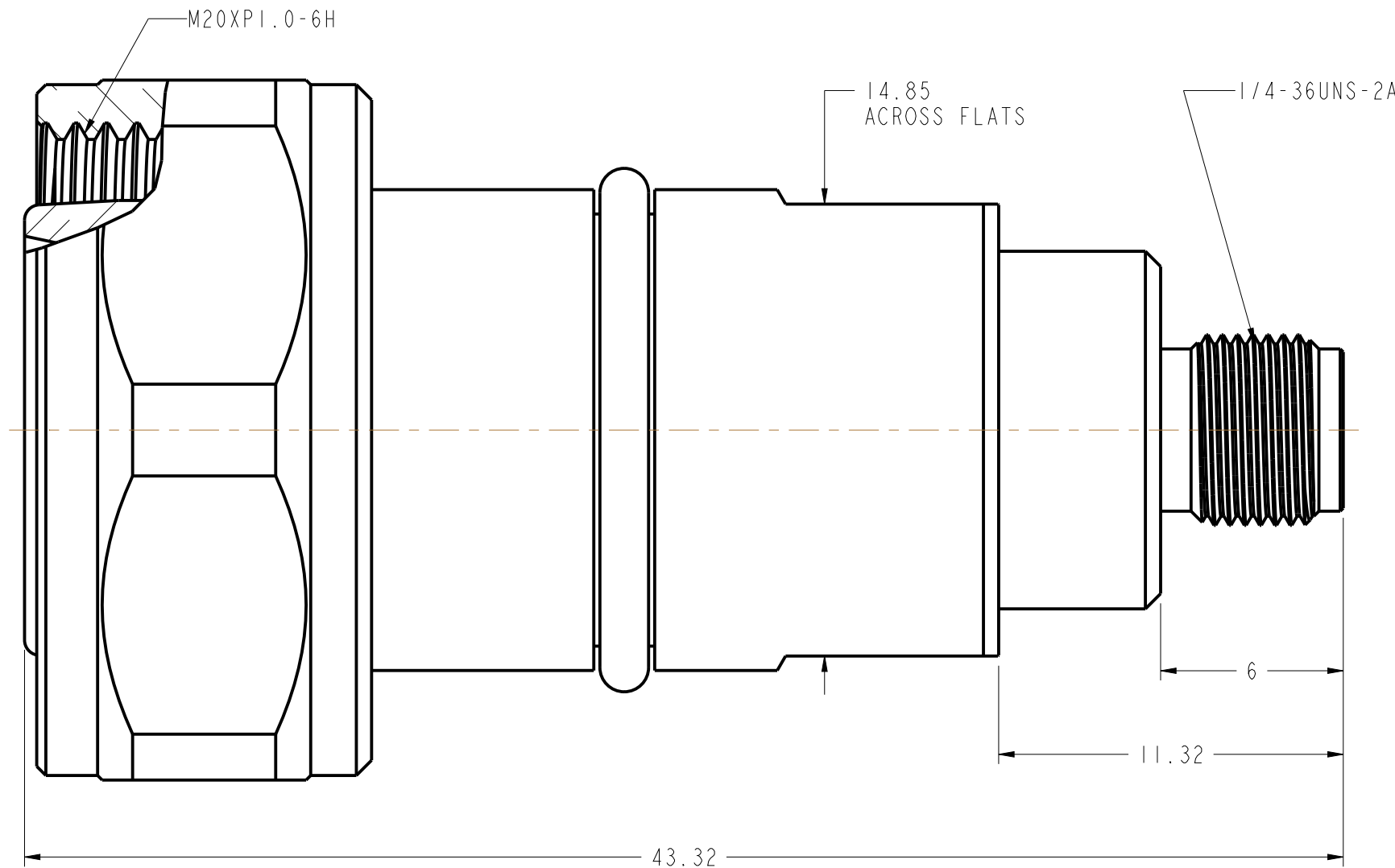
THIRD ANGLE PROJ.

REVISIONS

REV	DESCRIPTION	DATE	ECO	APPR
A	RELEASE TO MFG.	3/22/16	00201	KCE



SCALE 1.000



CUSTOMER OUTLINE DRAWING
 ALL OTHER SHEETS ARE FOR INTERNAL USE ONLY

UNLESS OTHERWISE SPECIFIED, DIMENSIONS ARE IN METRIC AND TOLERANCES ARE:
 <0.5mm ±0.05mm 0.5 - 6mm ±0.1mm 6 - 30mm ±0.2mm 30 - 120mm ±0.3mm ANGLES ±1°

NOTICE - These drawings, specifications, or other data (1) are, and remain the property of Amphenol corp. (2) must be returned upon request; and (3) are confidential and not to be disclosed to any person other than those to whom they are given by Amphenol Corp. the furnishing of these drawings, specifications, or other data by Amphenol Corp., or to any other person to anyone for any purpose is not to be regarded by implication or otherwise in any manner licensing, granting rights to permitting such holder or any other sperson to manufacture, use or sell any product, process or design, patented or otherwise, that may in any way be related to or disclosed by said drawings, specifications, or other data.

MATERIAL SEE NOTES	DRAWN ALLEN	DATE 07-Apr-15
REFERENCE EAR#6396 AND EAR#6383 CONFIGURATION LEVEL:	ENGINEER RICKSON	DATE 07-Apr-15
FINISH	APPROVED	DATE
	CAD FILE	

TITLE SMA JACK TO 4.3/10 PLUG GRADE 0 ADAPTOR
SCALE: 5.0:1.0 SHEET 2 OF 2
DWG SIZE B REV A

Amphenol RF www.amphenolrf.com
DRAWING NO. SMAF-4310M-ATS
ITEM NO. IIF-88M-AB-5-F
PART NO. AD-4310PSMAJ-1