

U.I. Lapp GmbH	DATASHEET	
	EPIC® H-A 3 AGS	10423500 14.11.2013

Innovative metal and plastic housing design
Housing in plastic or metal version. For power supply in the smallest possible space



Industrial machinery and plant engineering



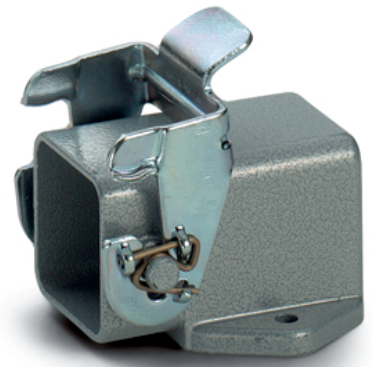
Mechanical resistance



Robust



Waterproof



Info

Compact, robust metal- and plastic housings size H-A 3

Application range

Machine and equipment manufacturing
Control engineering
Electronic laboratory

Product features

Panel-mount base
1 lever
Angled version
Included: flat gasket

Remark

Photographs are not to scale and do not represent detailed images of the respective products.

Product Management	Document: EPIC® H-A 3 AGS	1 / 3
--------------------	---------------------------	-------

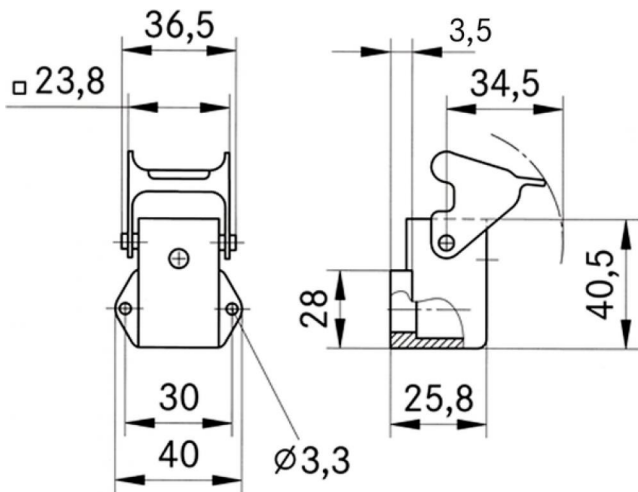
U.I. Lapp GmbH	DATASHEET	
	EPIC® H-A 3 AGS	10423500 14.11.2013

Technical Data

Article:	H-A 3 Mags
Colour:	grey
Material:	Zinc die-casting
Pieces / PU:	10
Material:	Housing: powder-coated zinc die-casting, grey Lever: zinc-plated steel Sealing: NBR Housing: grey thermoplastic, black Lever: zinc-plated steel Sealing: NBR
Protection rating:	IP 65 (latched)
Temperature range:	-40 °C to +100 °C, short-term up to +125 °C
VDE-tested:	Certified production control: VDE-REG. no.: B437 UL-tested: UL File Number: E75770

Product Management	Document: EPIC® H-A 3 AGS	2 / 3
--------------------	---------------------------	-------

U.I. Lapp GmbH	DATASHEET	 LAPP GROUP
	EPIC® H-A 3 AGS	10423500 14.11.2013



Product Management	Document: EPIC® H-A 3 AGS	3 / 3
--------------------	---------------------------	-------