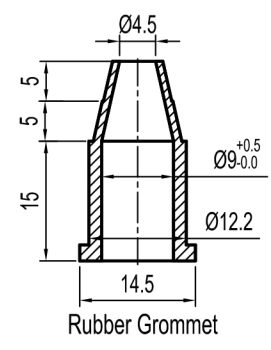
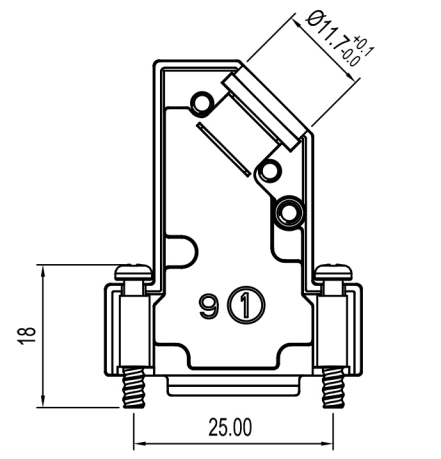
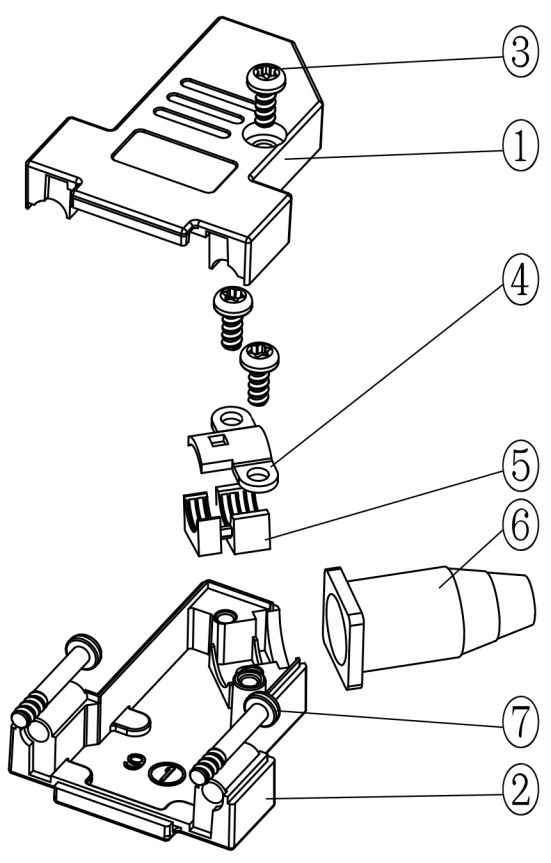
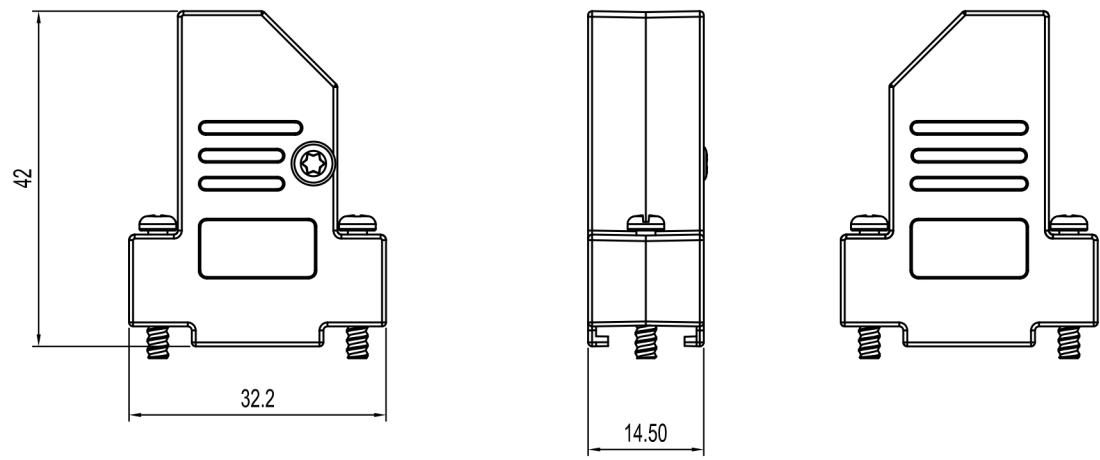


No.	Changes and/or Note No.	Date	Intr	No	Changes and/or Note No.	Date	Intr
-----	-------------------------	------	------	----	-------------------------	------	------

Revision
0



Part Number:	Description:	Pack:	Item	QTY	Part description
6560-2218-31	DTSL09-RG-SJS-M2.5-S-K	Kit	1	1	D45SL09-Upper Cover
			2	1	D45SL09-Lower Cover
			3	3	M2.5X6 Screw
			4	1	Cable clamp
6561-2218-31	DTSL09-RG-SJS-M2.5-S	Bulk	5	1	Plastic Insert DTSL09-Top & Side
			6	1	Rubber Grommet
			7	2	M2.5x18 Jackscrew

DATE: 2017-06-28	DRAWN: MRR	SCALE: 1:1	MATERIAL TYPE:	GENERAL TOLERANCES UNLESS OTHERWISE STATED LINEAR 0 ±0.20 0.0 ±0.15 0.00 ±0.10 ANGULAR ±0°30' ALL DIMENSIONS IN mm THIRD ANGLE PROJECTION
AUDITING:	APPROVED:		REPLACES:	

	DTSL09-RG-SJS - Series		DRAWING No:	6688-9607-8