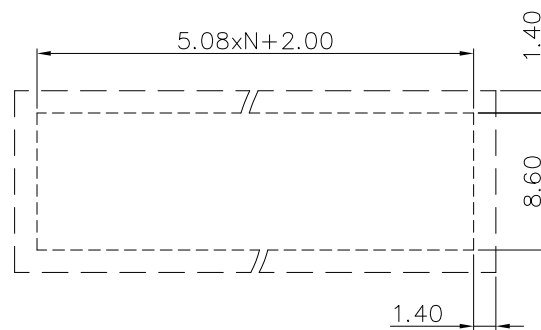
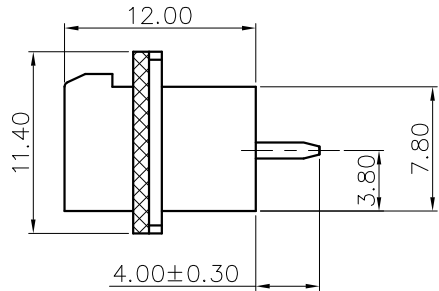
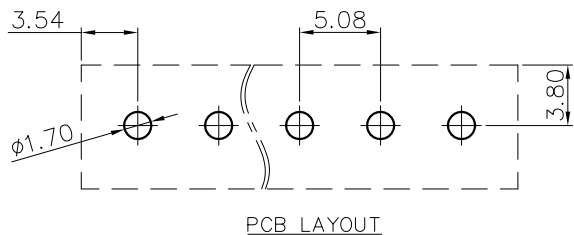
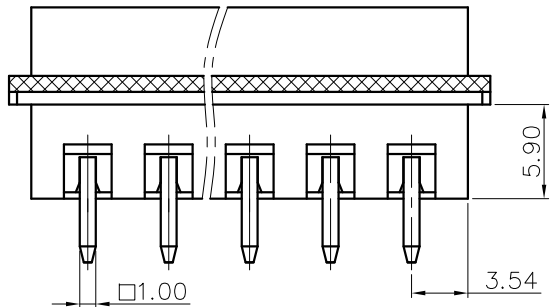
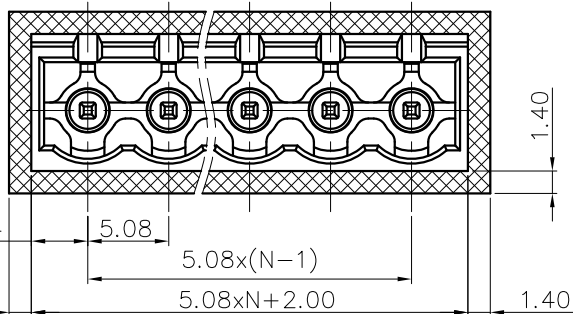
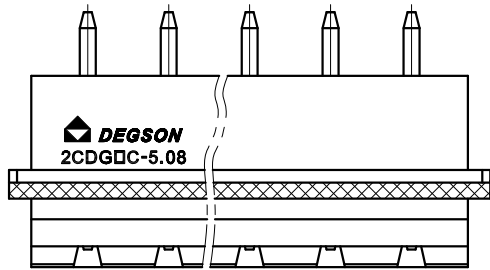


REVISION RECORD				
REV	ECN	DESCRIPTION	DRFT	DATE



2CDGVC - 5.08 - XXP - 1Y - 00A (H)
 (Series No.) (Pitch) (Poles) (Single Pitch) (Color): 1.(Grey)2.(Blue)3.(Black)4.(Green)
 5.(Orange)6.(Red)7.(Transparent) 8.(Yellow)9.(White)
 (RoHS)
 00A-(Standard)

NOTES1:

UL Standard

- 1.Rated voltage/current : 300V / 15A
- 2.Withstanding voltage : AC1600V/1Min.

IEC Standard

Pollution degree	2
Overvoltage category	III
Rate impulse voltage(KV)	4.0KV
Rate voltage(V)	320V
Rate current(A)	20A

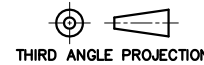
NOTES2:

- 1.Dimension shall be interpreted per ASME Y14.5-2009
- 2.Pitch : 5.08mm, Poles : N=02~24P
- 3.Operating temperature: -30°C~+120°C
- 4.Undimensioned tolerances:

Pitch range in mm	Nominal dimension range in mm						-	∩	□
	Over 6 TO 10	Over 10 TO 24	Over 30 TO 60	Over 60 TO 100	Over 100 TO 150	Over 150			
±0.15	±0.20	±0.30	±0.30	±0.50	±0.70	±1.00	±1.30	±2'	

5.RoHS Compliance

DETACHED LISTS	PART NO.:	/			
	APPD:	/			
	CHKD:	/			
	DRFT:	/			
NAME:		NINGBO DEGSON ELECTRICAL CO., LTD			
TITLE:		CUSTOMER DRAWING			
DRAWING NO.:		/			
SHEET:		1/1			
SCALE:		1:1			



DO NOT SCALE DRAWING