

1-1337629-0 ✓ ACTIVE



TE Internal #: 1-1337629-0

RF Connectors, N Type RF Interface, Plug, RF Connector Mated

Outer Diameter (Approximate) .75 in [19.05 mm], 50 Ω

[View on TE.com >](#)

Connectors > RF Coax Connectors > RF Connectors



RF Interface: **N Type**

RF Connector Style: **Plug**

RF Connector Mated Outer Diameter (Approximate): **19.05 mm [.75 in]**

Impedance: **50 Ω**

Compatible With RF Cable Type: **KX 24, KX 4, Raychem 5012A1422, Raychem 5012E1339, Raychem 5012E1632, Raychem EPD 29108Q, RG 213, RG 8A, URM 67**

Features

Product Type Features

RF Interface	N Type
RF Connector Style	Plug
Compatible With RF Cable Type	KX 24, KX 4, Raychem 5012A1422, Raychem 5012E1339, Raychem 5012E1632, Raychem EPD 29108Q, RG 213, RG 8A, URM 67
Connector System	Cable-to-Cable
Sealable	Yes
Connector & Contact Terminates To	Wire & Cable
Connector Seal Type	Gasket

Configuration Features

Number of Positions	1
Number of Coaxial Contacts	1

Electrical Characteristics

Impedance	50 Ω
-----------	-------------

Body Features



Cable Connector Orientation	Straight
Body Material	Brass
Body Plating Material	Nickel

Contact Features

RF Connector Contact Configuration	Captivated Contacts
Ferrule Plating Material	Nickel
Crimp Type	Hex
Ferrule Material	Annealed Copper
RF Connector Center Contact Plating Material	Gold
RF Connector Center Contact Material	Brass

Termination Features

Termination Method to Wire & Cable	Crimp
------------------------------------	-------

Mechanical Attachment

RF Connector Coupling Mechanism	Threaded
RF Contact Captivation Method	Mechanical
Detent	Without

Dimensions

RF Connector Mated Outer Diameter (Approximate)	19.05 mm [.75 in]
---	-------------------

Usage Conditions

Operating Temperature Range	-65 – 165 °C [-85 – 329 °F]
-----------------------------	-----------------------------

Operation/Application

Operating Frequency	11 GHz
---------------------	--------

Packaging Features

Packaging Quantity	50
Packaging Method	Box

Other

Grade	Commercial
Gasket Material	Silicone Rubber
Coupling Nut Base Material	Brass
Military Style Number	UG-1681/U
Dielectric Material	PTFE

Product Compliance

For compliance documentation, visit the product page on TE.com>

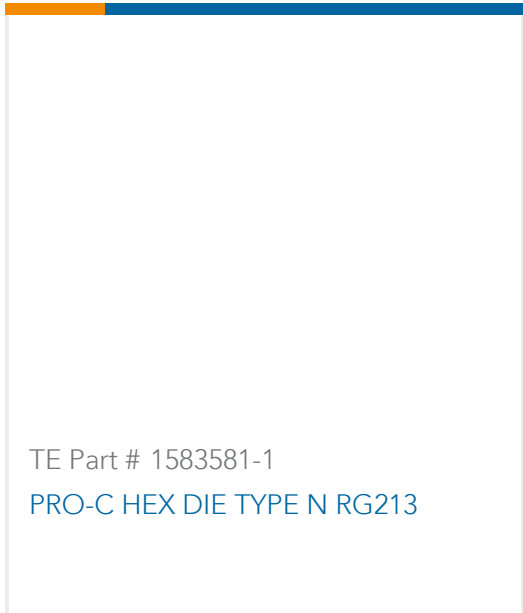
EU RoHS Directive 2011/65/EU	Not Compliant
EU ELV Directive 2000/53/EC	Compliant with Exemptions
China RoHS 2 Directive MIIT Order No 32, 2016	Restricted Materials Above Threshold
EU REACH Regulation (EC) No. 1907/2006	Current ECHA Candidate List: JAN 2021 (211) Candidate List Declared Against: JAN 2021 (211) SVHC > Threshold: Pb (4% in Component Part) Article Safe Usage Statements: Do not eat, drink or smoke when using this product. Wash thoroughly after handling. Recycle if possible and dispose of the article by following all applicable governmental regulations relevant to your geographic location.
Halogen Content	Low Halogen - Br, Cl, F, I < 900 ppm per homogenous material. Also BFR/CFR/PVC Free
Solder Process Capability	Not applicable for solder process capability

Product Compliance Disclaimer

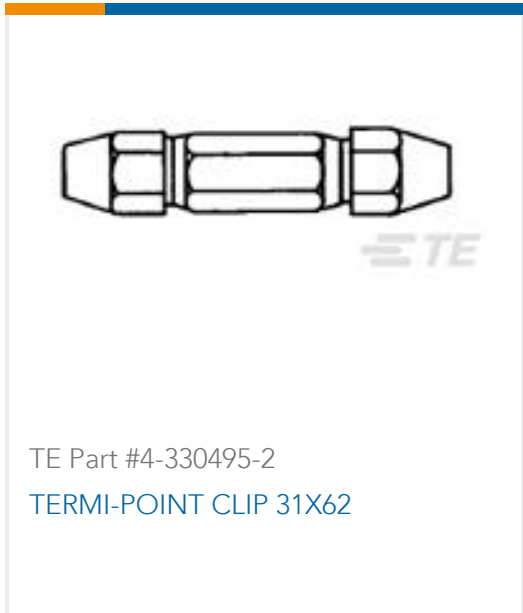
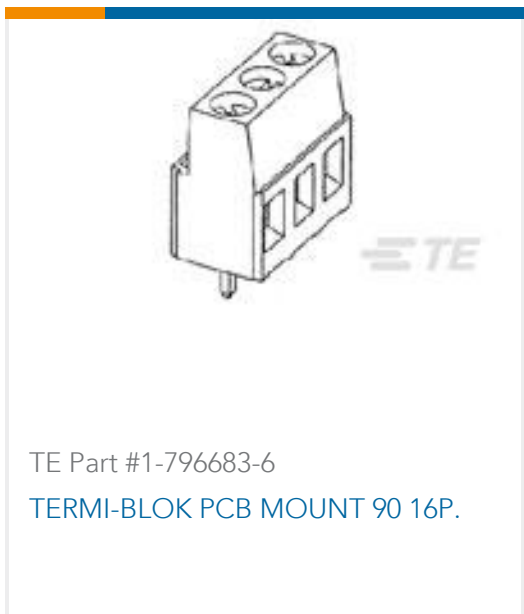
This information is provided based on reasonable inquiry of our suppliers and represents our current actual knowledge based on the information they provided. This information is subject to change. The part numbers that TE has identified as EU RoHS compliant have a maximum concentration of 0.1% by weight in homogenous materials for lead, hexavalent chromium, mercury, PBB, PBDE, DBP, BBP, DEHP, DIBP, and 0.01% for cadmium, or qualify for an exemption to these limits as defined in the Annexes of Directive 2011/65/EU (RoHS2). Finished electrical and electronic equipment products will be CE marked as required by Directive 2011/65/EU. Components may not be CE marked. Additionally, the part numbers that TE has identified as EU ELV compliant have a maximum concentration of 0.1% by weight in homogenous materials for lead, hexavalent chromium, and mercury, and 0.01% for cadmium, or qualify for an exemption to these limits as defined in the Annexes of Directive 2000/53/EC (ELV). Regarding the REACH Regulation, the information TE provides on SVHC in articles for this part number is based on the latest European Chemicals Agency (ECHA) 'Guidance on requirements for substances in articles' posted at this URL: <https://echa.europa.eu/guidance-documents/guidance-on-reach>

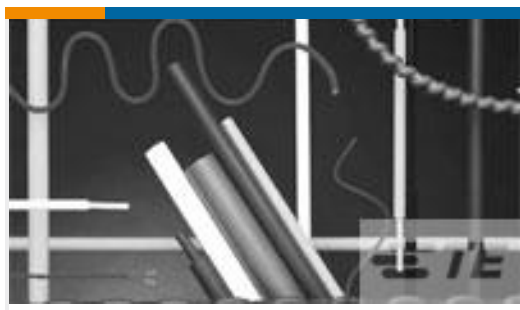
Compatible Parts

 <p>TE Part # CAT-076-BNCJKRA75C BNC RF Connector: Male (Jack), Right-angle, 75 Ohm</p>	 <p>TE Part # 5221199-5 JACK,75 OHM COML BNC</p>	 <p>TE Part # 5221199-2 JACK,75 OHM,COML BNC</p>	 <p>TE Part # 5413590-8 BNC BLKHD JACK,75 OHM,HEX</p>
--	---	---	--



Customers Also Bought





TE Part #5038112030
DCPT-12/6-45-STK



TE Part #EC0490-000
06153920

Documents

Product Drawings

[N Str Plg Hex 50Ohm Nickel Pltd PSF 1/4M](#)

English

CAD Files

3D PDF

3D

Customer View Model

[ENG_CVM_CVM_1-1337629-0_C.2d_dxf.zip](#)

English

Customer View Model

[ENG_CVM_CVM_1-1337629-0_C.3d_igs.zip](#)

English

Customer View Model

[ENG_CVM_CVM_1-1337629-0_C.3d_stp.zip](#)

English

By downloading the CAD file I accept and agree to the [Terms and Conditions](#) of use.

Datasheets & Catalog Pages

[1307191 RF Coax Products Catalog](#)

English