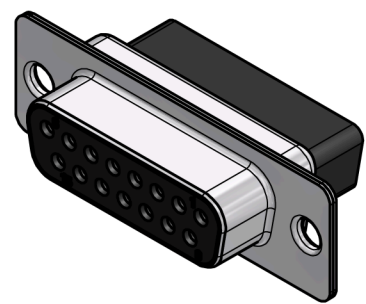
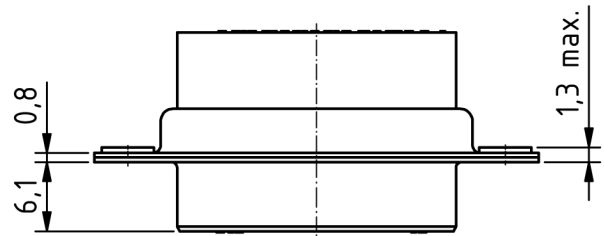
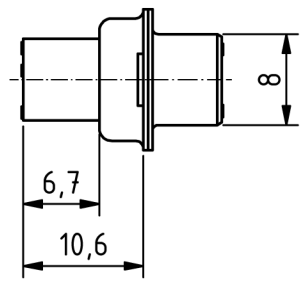
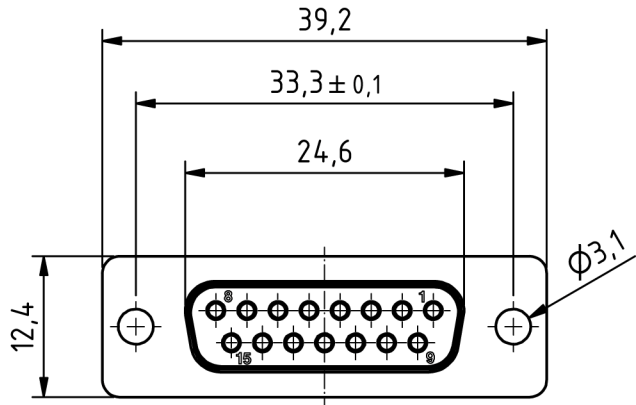


RoHS compliant



MATERIALS

- Insulator: Thermoplastic UL 94-V-0 black
- Shell: steel tin plated

CHARAKTERISTICS

- Working voltage: 125V
- Current rating: 5A
- Contact resistance: max. 10mΩ - DIN41652
- Insulation resistance: >5GΩ
- Temperature range: -55° - 125°C

General tolerances (Detron standard)			
size in mm	> 0.5	> 3	> 6
up to 3	±0.1	±0.2	±0.2
up to 6			
up to 30			
up to 120			
tolerances			
			±0.3

modification	date:	date:	date:	drawn	19.02.2008	MR
	date:	date:	date:			
DTS 15 SX	1.5:1 scale			checked		
				apoved		
				PART NO.3303-0100-12 15F, Crimp Housing		