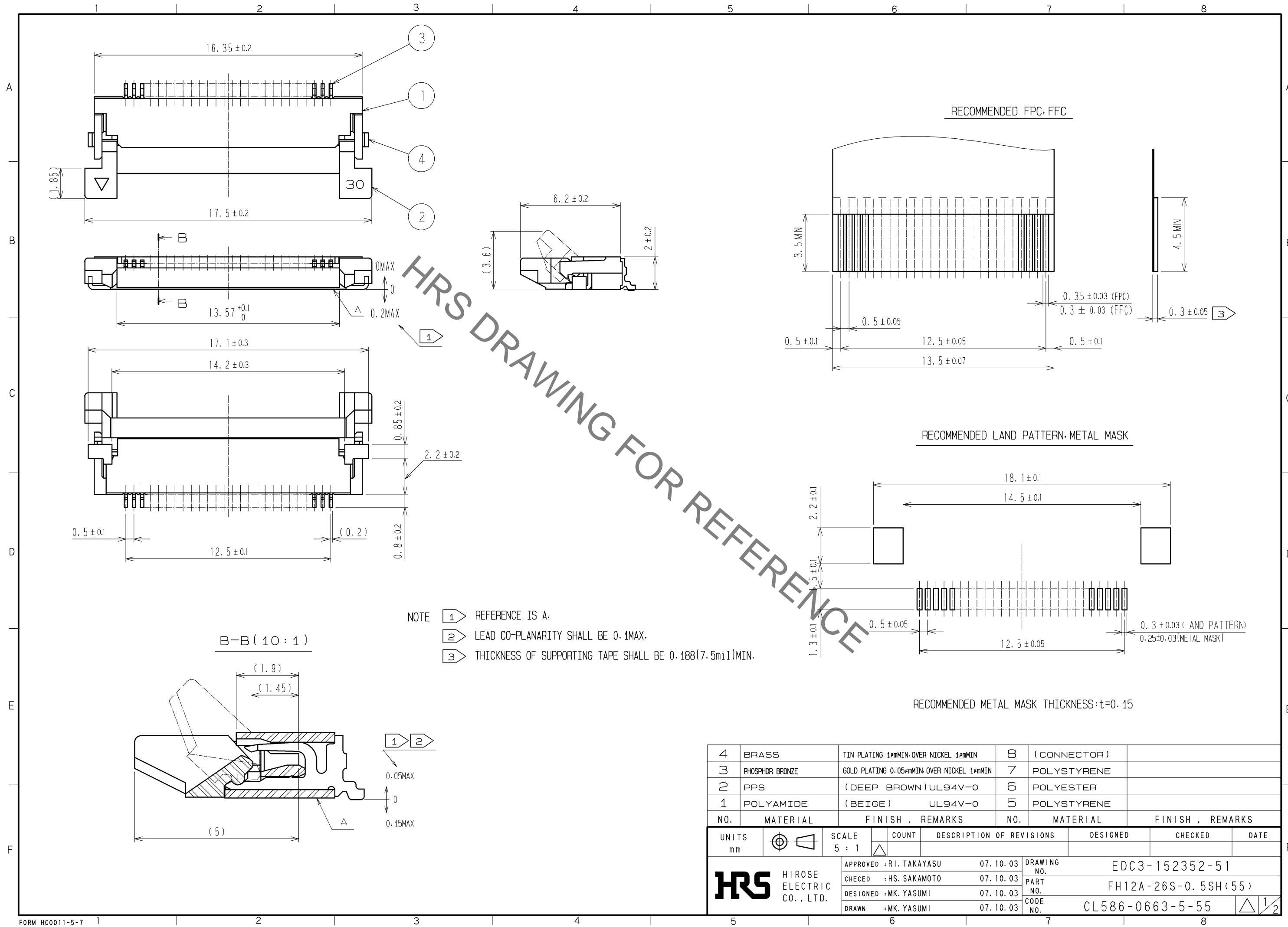
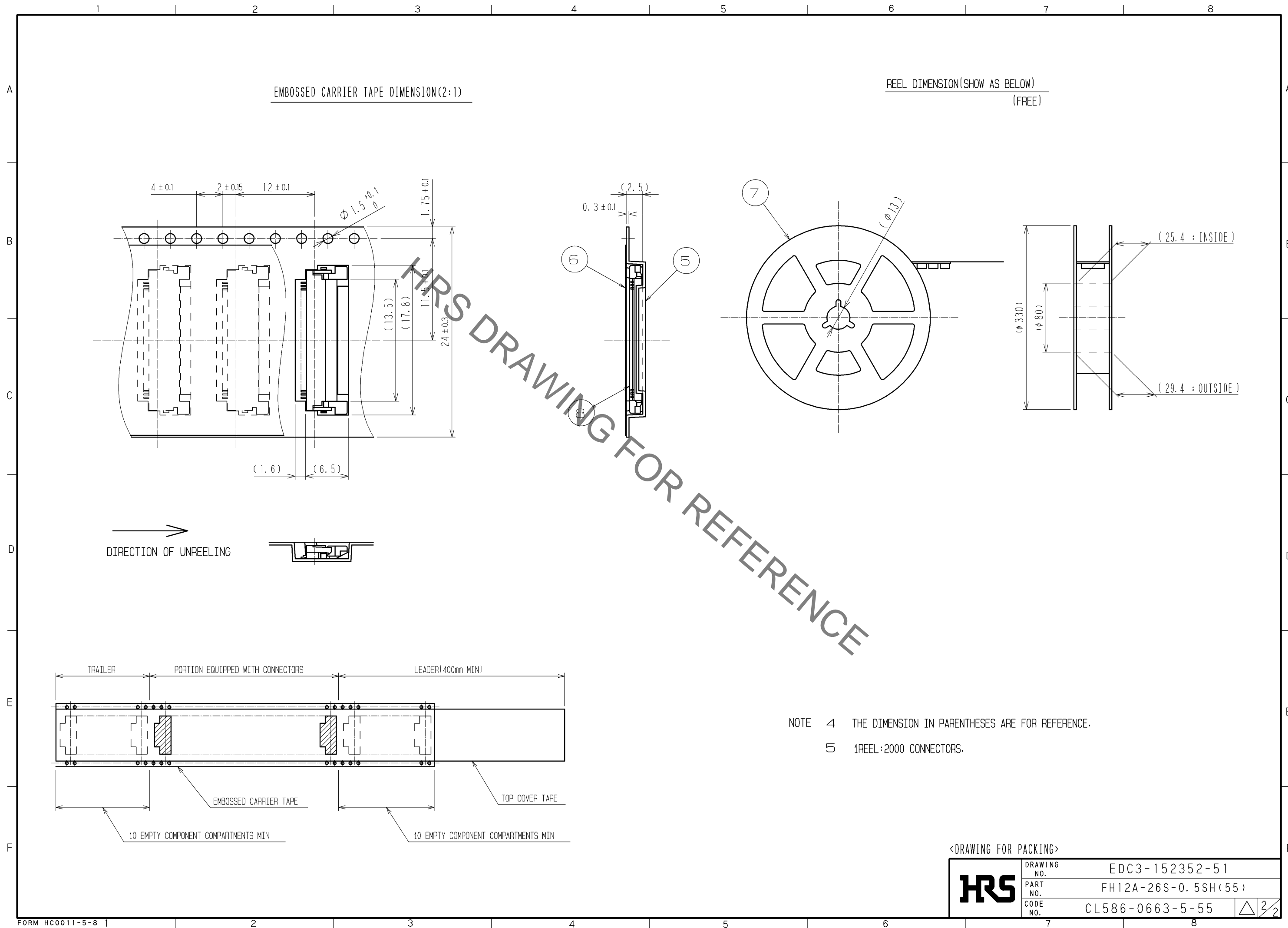


May.1.2019 Copyright 2019 HIROSE ELECTRIC CO., LTD. All Rights Reserved.
In case of consideration for using Automotive equipment / device which demand high reliability, kindly contact our sales window correspondents.



May.1.2019 Copyright 2019 HIROSE ELECTRIC CO., LTD. All Rights Reserved.
 In case of consideration for using Automotive equipment / device which demand high reliability, kindly contact our sales window correspondents.



HRS DRAWING FOR REFERENCE

<DRAWING FOR PACKING>

HRS	DRAWING NO.	EDC3-152352-51
	PART NO.	FH12A-26S-0.5SH(55)
	CODE NO.	CL586-0663-5-55
		△ 2/2