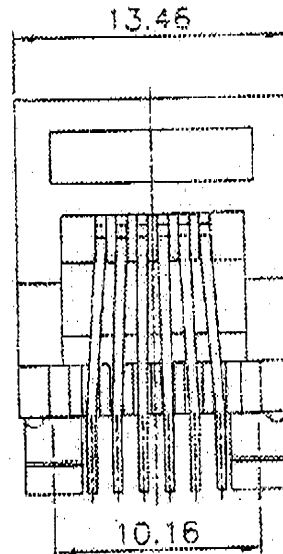
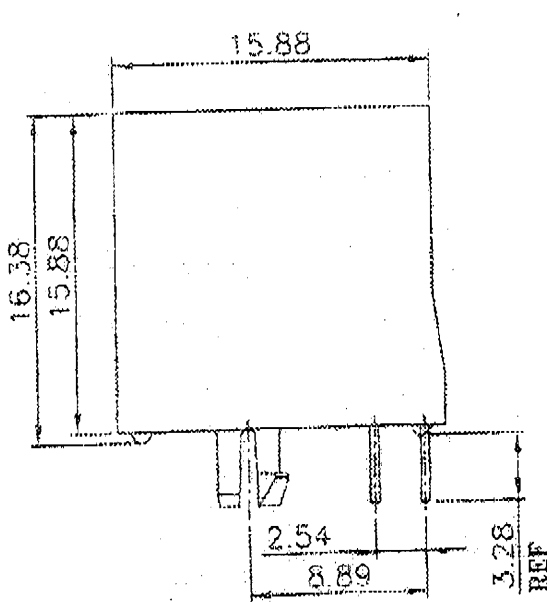
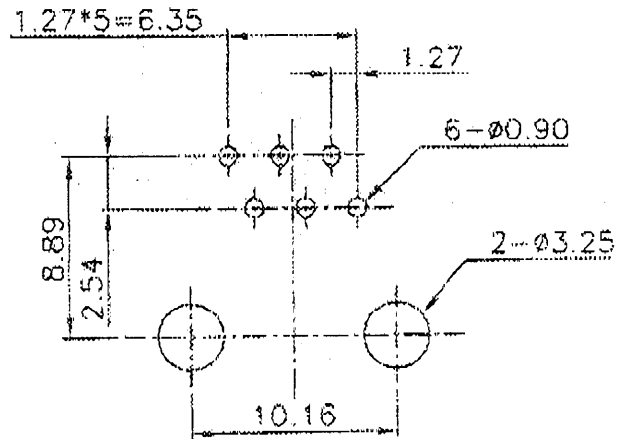
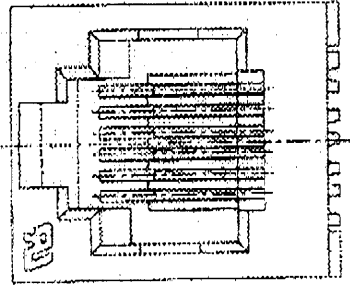


No.	Changes and/or Note No.	Date	Intr.	No.	Changes and/or Note No.	Date	Intr.

MATERIALS:
 PLASTIC HOUSING: ENGINEERING THERMOPLASTIC
 FLAMMABILITY RATING UL 94V-0.
 CONTACTS: 0.46MM DIAMETER PHOSPHOR BRONZE
 PLATING: GOLD PLATING OVER NICKEL

PCB LAYOUT/TOP VIEW



6u" P/N 3002243900
 30u" P/N 3002244700
 60u" P/N 3002245100

DATE 040609	DRAWN MRR	SCALE 1:1	MATERIAL TYPE
	APPROVED		REPLACES
		MHRJJ66NFV	
		DRAWING No	135