

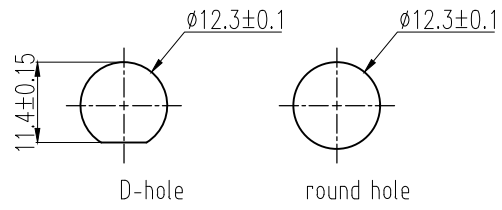
Manual Unlock PV Connector



Specification

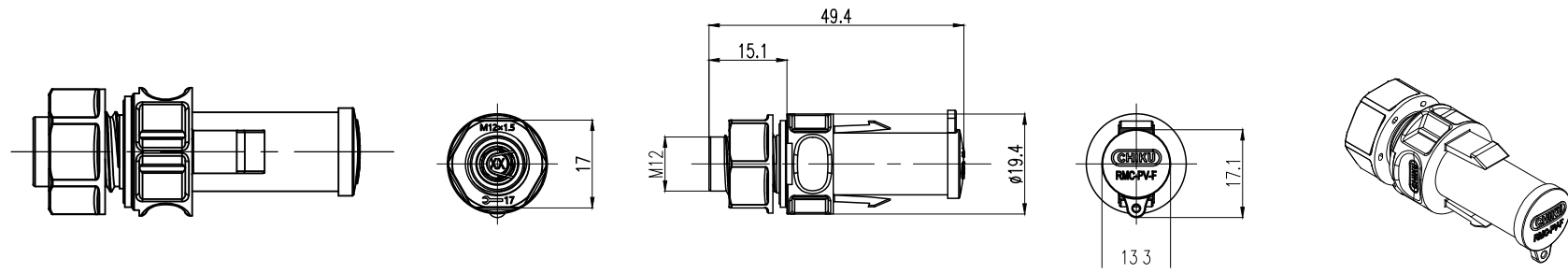
Applicable Terminal	4/6 mm ²
Rated Current	35/45 A
Cable Size Range	12/10 AWG
Rated Voltage	1.5 kVDC
Contact Resistance	300 mOhm
Degree of Protection	IP68
Working Temperature	-40 ~ 105°C
Class of Pollution	Grade III
Flammability	UL94-V0

Drawings

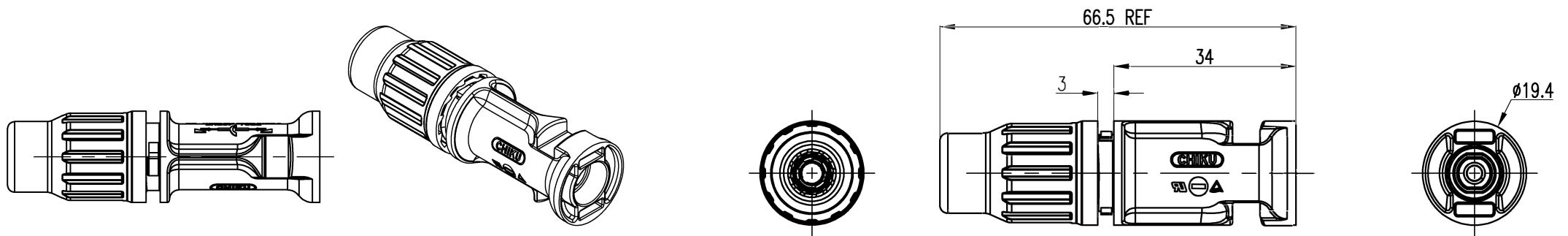


mounting hole size on panel

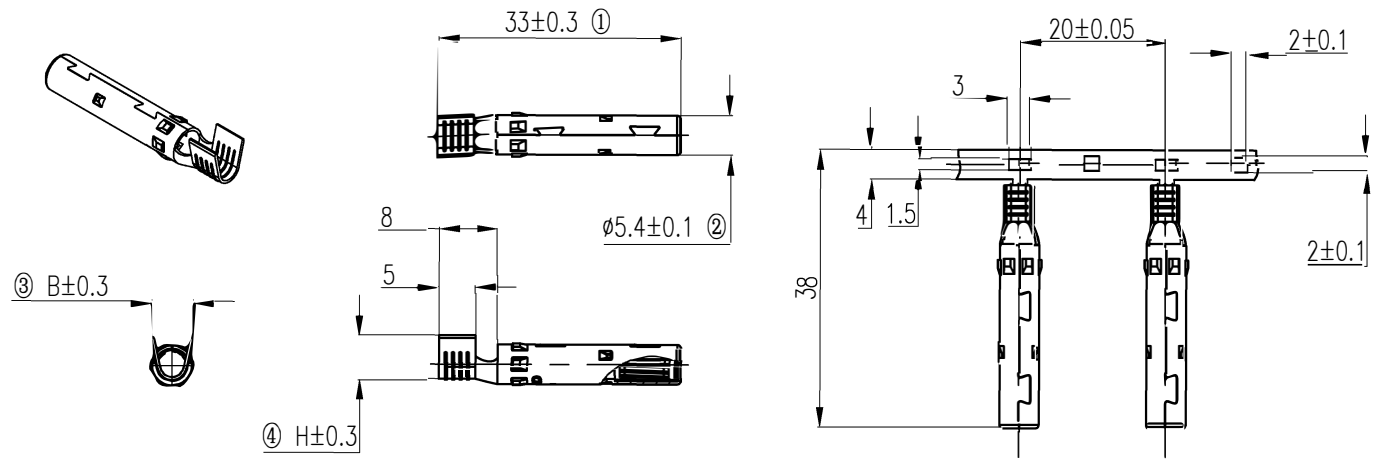
Device side Socket



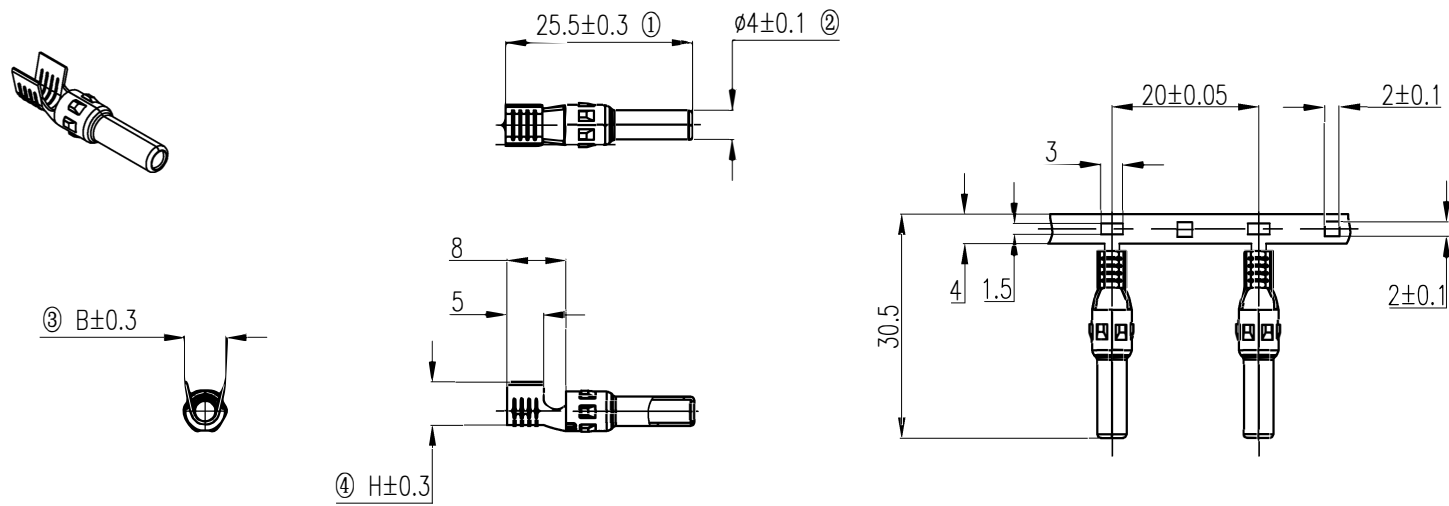
Cable side Plug



Terminal Socket



Terminal Plug



Art. Nr.
RND 205-01575