

Accessories

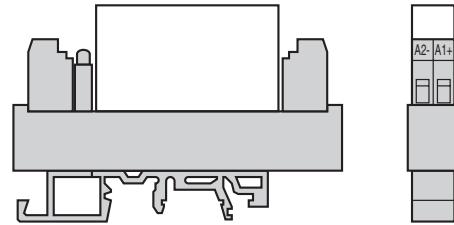
Profile casings PG for DIN-rail mounting



HRM PG 1 for HRM construction

Casing for DIN-rails according to DIN 50 022 for solid-state relays of type HRM

- Input circuit protection
- Built-in indicator LED



Dimensions (W x H x D) 12 x 80 x 45 mm

Weight 20 g

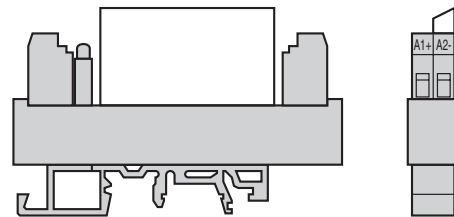
Article number* 41920027



HRT PG 1 for HRT construction

Casing for DIN-rails according to DIN 50 022 for solid-state relays of type HRT

- Input circuit protection
- Built-in indicator LED



Dimensions (W x H x D) 12 x 80 x 45 mm

Weight 20 g

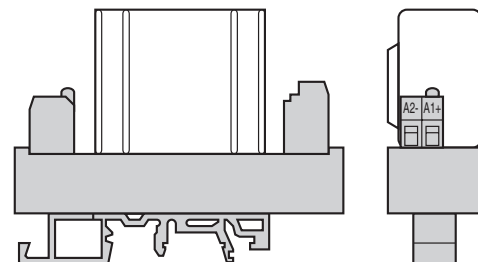
Article number* 41920028



HRQ PG 1 for HRQ construction

Casing for DIN-rails according to DIN 50 022 for solid-state relays of type HRQ

- Input circuit protection
- Built-in indicator LED



Dimensions (W x H x D) 23 x 80 x 45 mm

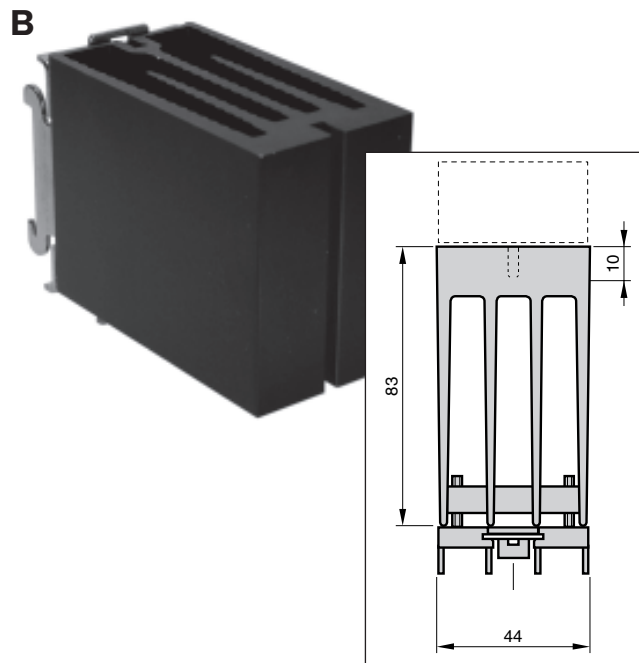
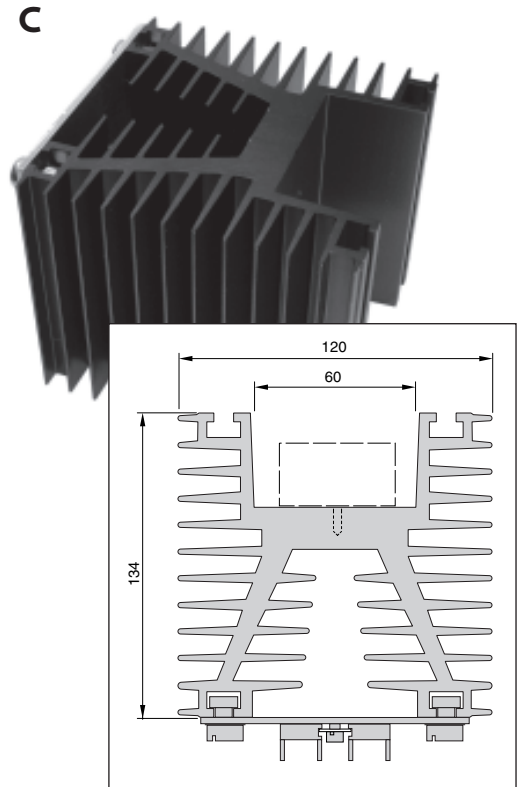
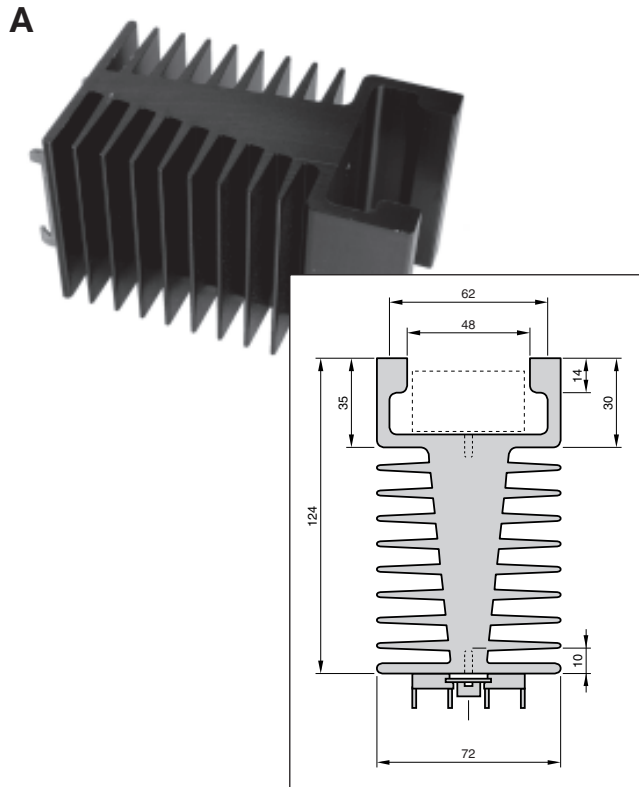
Weight 28 g

Article number* 41920029

* Order data see chapter 1

Accessories

Heat sink for 1- and 2-phases solid-state relays



- Dimension A:** Depth 75 mm
Dimension B: Depth 65 mm
Dimension C: Depth 100 mm

It is absolutely necessary to use heat conduction foil or heat conductive paste between solid-state relay and heat sink.

Description	Type	Dimension	Weight	Article number
Heat sink 0,7 °C/W	HRK 0,7C	A	915 g	41920003
Heat sink 1,7 °C/W	HRK 1,7C	B	375 g	41920004
Heat sink 0,5 °C/W	HRK 0,5C	C	1300 g	41920030

(Order data see chapter 1)

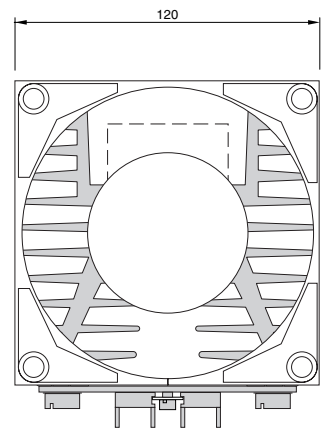
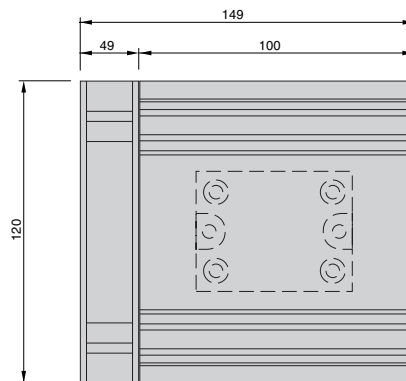
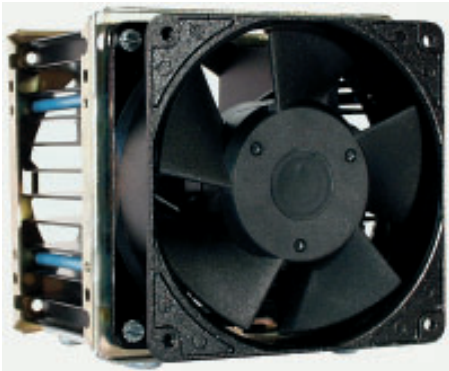
Accessories

Ventilator for 1- and 2-phases solid-state relays



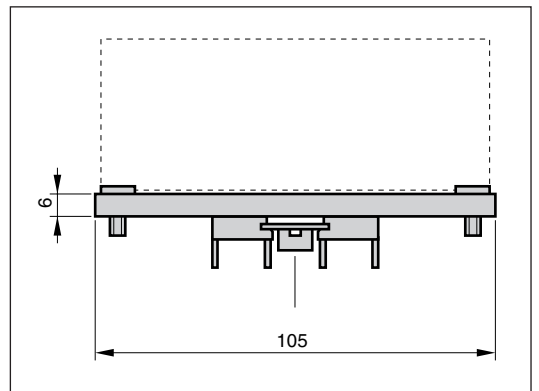
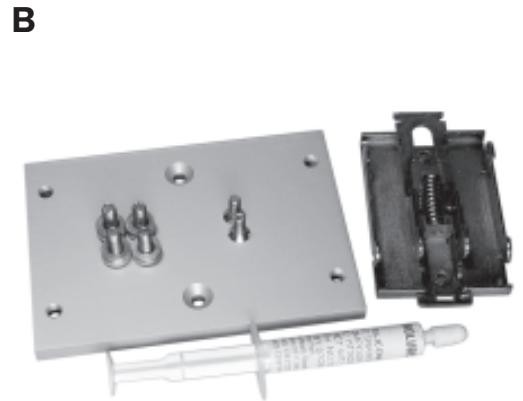
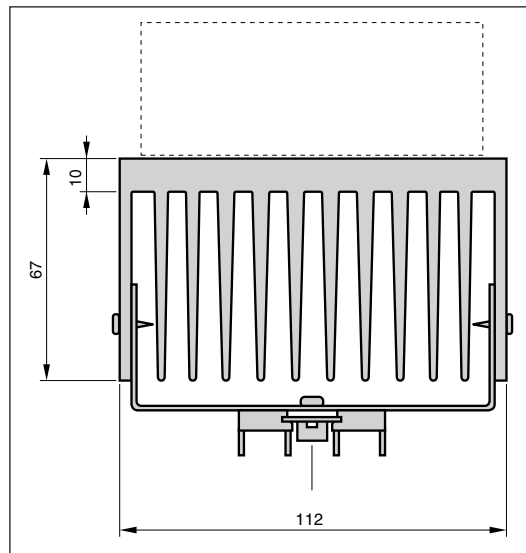
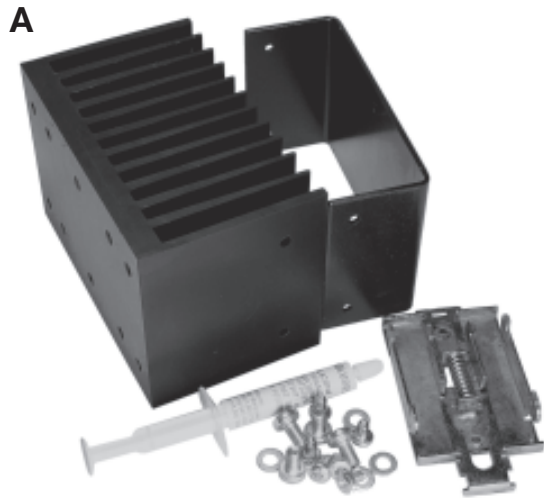
Ventilator kit for heat sink HRK 0,5C

Type	HRK 0,5LB 230
Operating voltage	230 Vac
Power consumption	20 W
Heat dissipation with HRK 0,5	0,25 °C/W
Weight without heat sink	850 g
Mounting-screws are contained in the kit	
Article number	41920031
(Order data see chapter 1)	



Accessories

Heat sink for 3-phases solid-state relays



Al constructions:

Depth 75 mm

It is absolutely necessary to use heat conductive paste between solid-state relay and heat sink.

Description	Type	Dimension	Weight	Article number
Heat sink 0,8 °C/W	HRK 0,8	A	795 g	41920019
Heat sink 5,0 °C/W	HRK 5,0	B	190 g	41920020

(Order data see chapter 1)

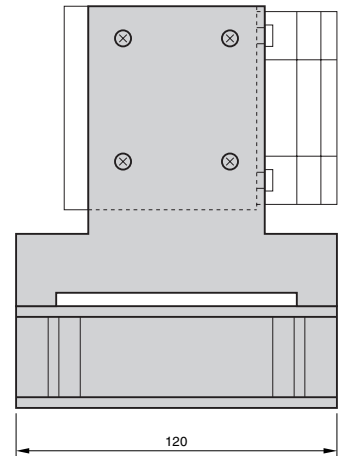
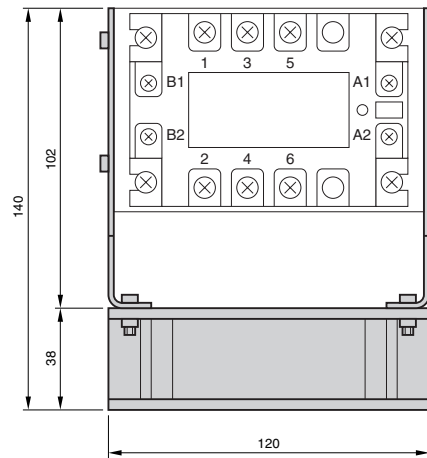
Accessories

Ventilator for 3-phases solid-state relays



Ventilator kit for heat sink HRK 0,8

Type	HRK 0,8LB 230
Operating voltage	230 Vac
Power consumption	20 W
Heat dissipation with HRK 0,8	0,25 °C/W
Weight without heat sink	730 g
Mounting-screws are contained in the kit	
Article number	41920002
(Order data see chapter 1)	



Accessories

Thermo switch for 3-phases solid-state relays



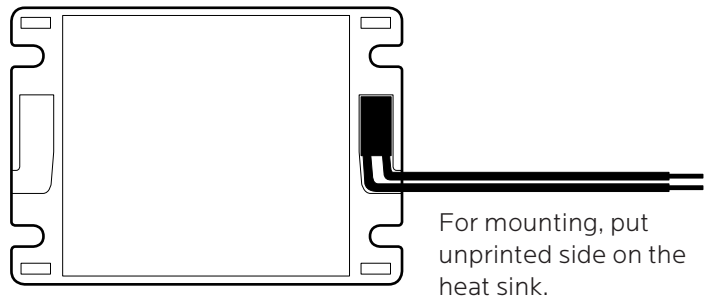
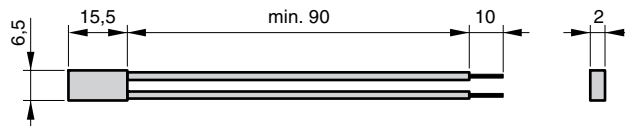
Remark:

The very small case of the thermo switch and the direct mounting on the heat sink guarantees a fast reaction on temperature changes.

If the thermo switch is connected in series with the drive voltage of the SSR, it disconnects the drive as soon as the admissible operation temperature is exceeded. The drive will only be released, when the operation temperature reaches the correct value again.

Alternatively the thermo switch on the three-phase load relay can also be connected on two free terminals B1 and B2 to allow an over-temperature message via an alarm light or a relay.

Be careful in using motors, as such units can again be switched on automatically when the temperature drops.



Description	Type	Weight	Article no.
Thermo switch 70 °C	TS 70	-	41920014
Thermo switch 90 °C	TS 90	-	41920016
(Order data see chapter 1)			

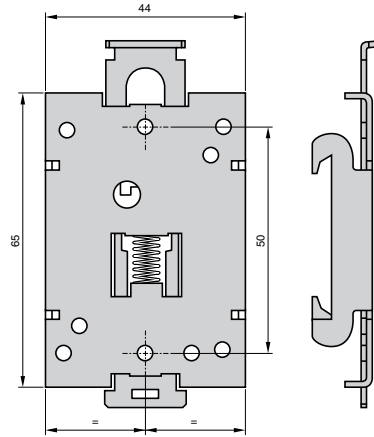
Only to use with the HRL construction.

Accessories

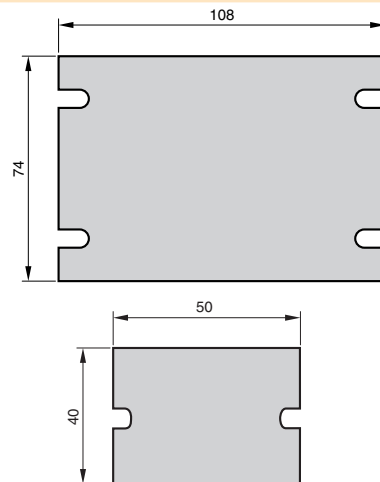
DIN-mounting, heath conduction foil and over-voltage protection



DIN-mounting DB 2	Weight	Article no.
for construction HRS (Order data see chapter 1)	60 g	41920013



Heath conduction foil	Weight	Article no.
Type B: WLF 1PH	-	41920005
Type C: WLF 3PH	-	41920025
(Order data see chapter 1)		



1PH



3PH

Metallic oxide varistor*)	Weight	Article no
V250 1PH	4 g	41920010
V460 1PH	4 g	41920011
V460 3PH (sales unit with 3 pieces)	4 g	41920024
(Order data see chapter 1)		

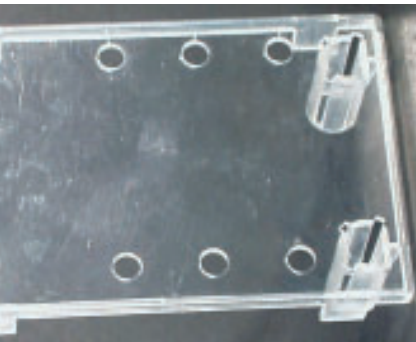
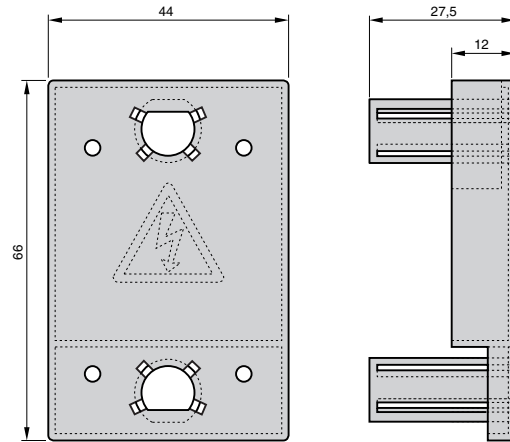
Continuous load	0,2 W
Surge current (8 / 20 μ s)	6,5 kA
Reaction time	<25 ns
Operating temperature at full-load	-40 ... +85 °C
Dielectric rigidity	$\leq 2,5$ kV ACeff
Insulation resistance	≤ 1 GW

Accessories

Protection cover



Description	Type	Weight	Article no.
Protection cover for HRS (Order data see chapter 1)	SA 2	11 g	41920012



Description	Type	Weight	Article no.
Protection cover for HRV (Order data see chapter 1)	SA 3	28 g	41920026

