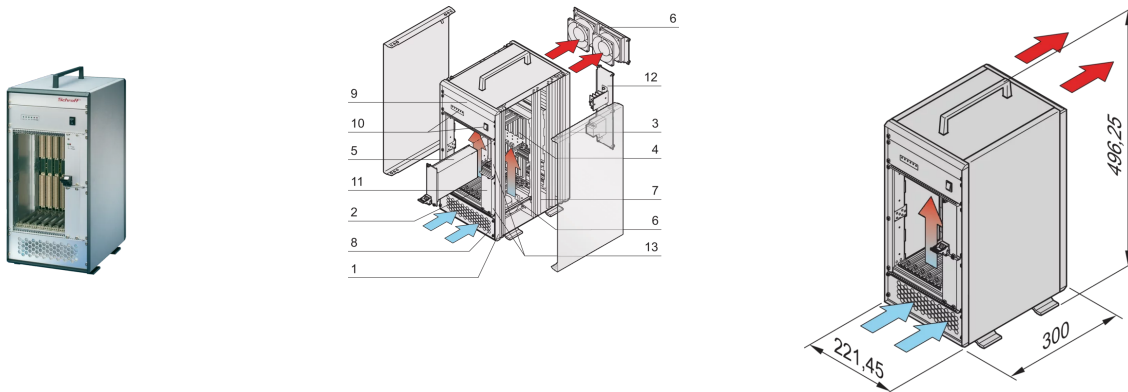


## 10836-045 VME64X SYSTEM, TOWER, 5 U, PLUGGABLE PSU



### KEY FEATURES

System in accordance with IEC-60297-3-101, 102, 103; IEEE-1101.1, 1101.10/11; backplane conforms to VITA-1.1-1997

Pluggable PSU, 19" form factor, 250-W; a second PSU can optionally be fitted

Backplane VME64x 7-slot, 6-U, J1/J2 monolithic without P0 connector, Rear I/O option, in accordance with VITA 1-1994 and 1.1-1997

Heat dissipation by 2 fans, cooling from front to rear side; temperature-controlled-by fan control module (FCM)

System for standard board mounting with board format, 6-U, 160-mm deep and Rear I/O option

Display module for DC operating voltages, fan and temperature alarm

Option to mount a 5.25" DVD drive unit

### PRODUCT ATTRIBUTES

Product Type: System

Number of Slots: 7

Type: Tower

Backplane Type: 6 U VME64 Extension

Data Transfer: VME64; VME2eSST

Power per Slot: 30 W

Input Voltage AC: 100 – 240 V

Airflow Direction: Front to Rear

Rack Height: 10 U

Power Supply Type: (1) Pluggable PSU

Power Supply Included: Yes

Rear I/O: Yes

Complies With: ANSI/VITA 1.1-1997

## ADDITIONAL PRODUCT DETAILS

---

VME64 tower system for 7 VME64x boards 6 U, 160 mm. The power for the system is created by a pluggable power supply. A fan control module monitors the fans, the temperature and voltage.

Modified systems available on request.

## CERTIFICATIONS

---



### North America

All locations  
+1.763.422.2661  
Chat with us:  
[schroff.nvent.com](https://schroff.nvent.com)

### Europe

Straubenhardt, Germany  
+49.7082.794.0  
Betschdorf, France  
+33.3.88.90.64.90  
Warsaw, Poland  
+48.22.209.98.35  
Assago, Italy  
+39.02.932.7141  
Chat with us:  
[schroff.nvent.com](https://schroff.nvent.com)

### Asia

Shanghai, China  
+86.21.2412.6943  
Qingdao, China  
+86.532.8771.6101  
Singapore  
+65.6768.5800  
Shin-Yokohama, Japan  
+81.45.476.0271  
Chat with us:  
[schroff.nvent.com](https://schroff.nvent.com)

### Middle East & India

Dubai, United Arab Emirates  
+971.4.378.1700  
Bangalore, India  
+91.80.6715.2001  
Istanbul, Turkey  
+90.216.250.7374  
Chat with us:  
[schroff.nvent.com](https://schroff.nvent.com)



Our powerful portfolio of brands:  
[nVent.com](https://nVent.com) **CADDY ERICO HOFFMAN RAYCHEM SCHROFF TRACER**

© 2023 nVent. All nVent marks and logos are owned or licensed by nVent Services GmbH or its affiliates. All other trademarks are the property of their respective owners.

nVent reserves the right to change specifications without notice.