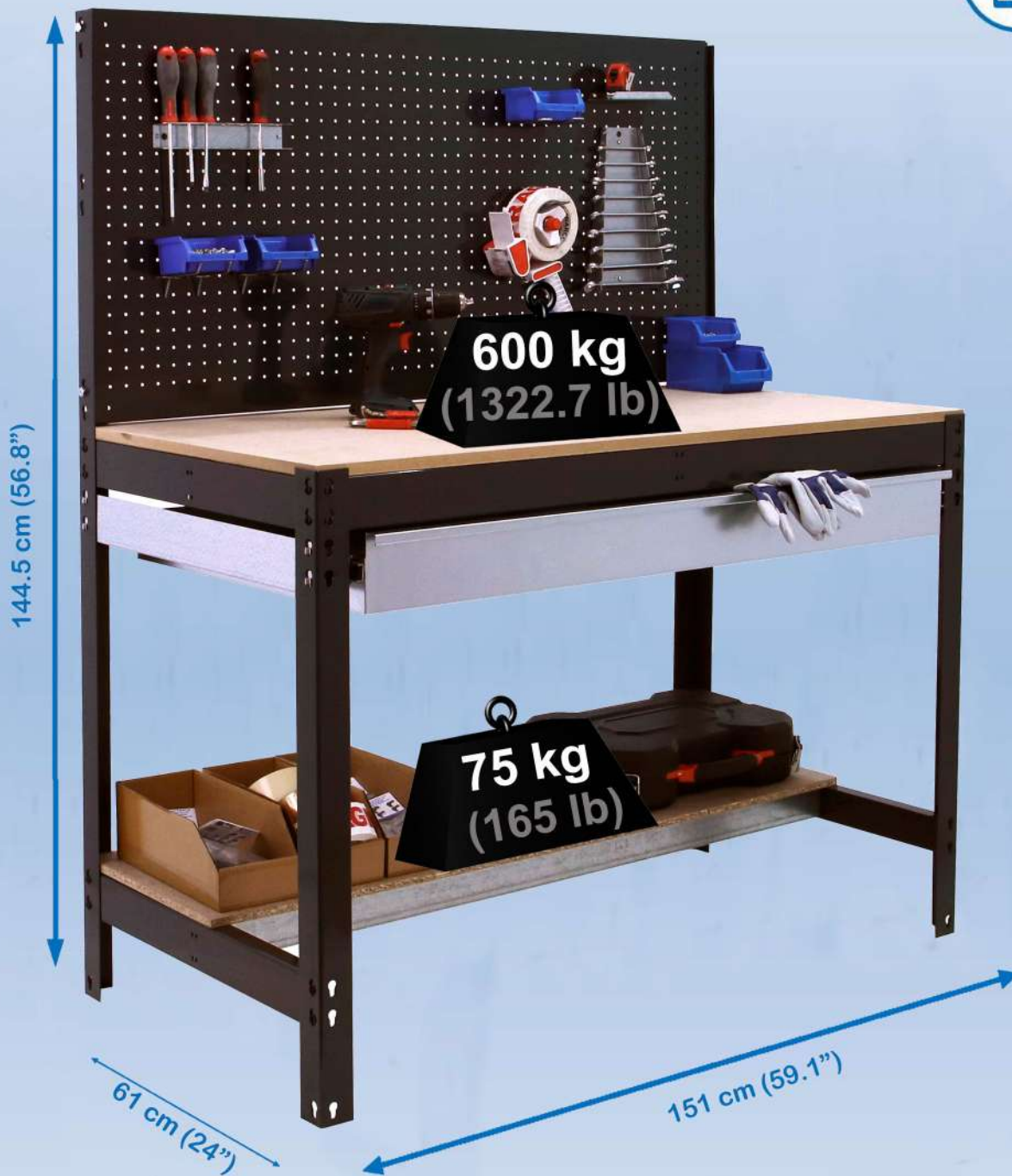


SIMONWORK BT2 BOX 1500

144.5 x 151 x 61 cm
59.2" x 59.1" x 24"



- 1 x 150 x 60 cm (59" x 23.6")
- 2 x 84 cm (33.1")
- 2 x 144 cm (56.7")
- 3 x 150 cm (59")
- 4 x 60 cm (23.6")
- 1 x 35 kg (80 lb)
- 2 x 60 cm (23.6")
- 1 x 150 x 60 cm (59" x 23.6")
- 1 x 150 x 35 cm (59" x 13.8")
- 1 x 150 cm (59")
- 1 x 60 cm (23.6")
- 4 x
- 2 x 58 cm (22.8")



ESTANTERIAS SIMON S.L. B.60.556.463
 PG. ALFAMEN CI/ POLIGONO C. Nº3
 ALFAMEN (ZARAGOZA)



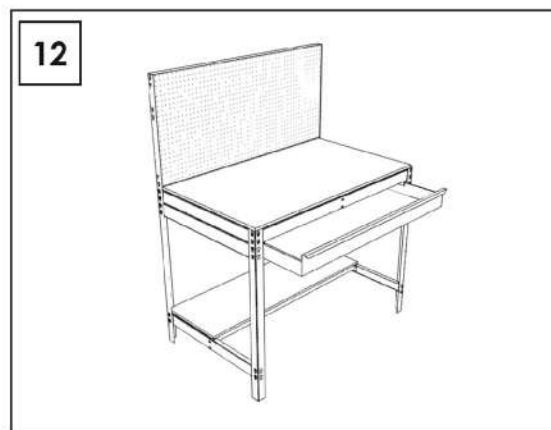
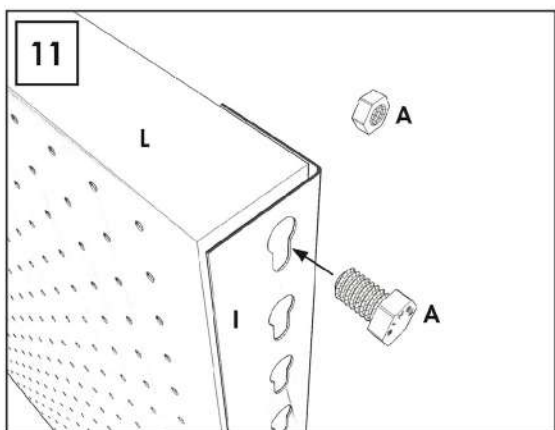
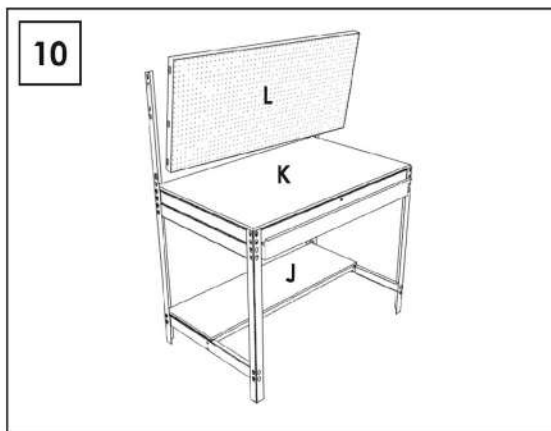
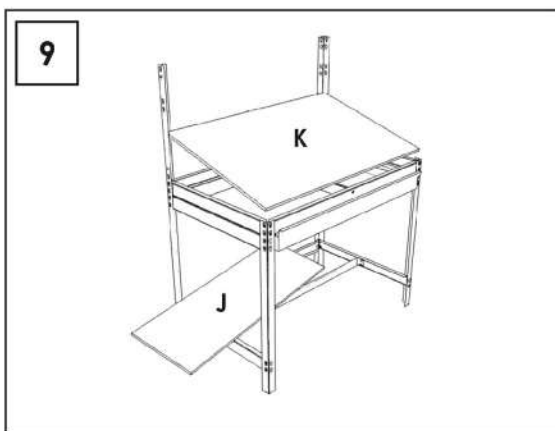
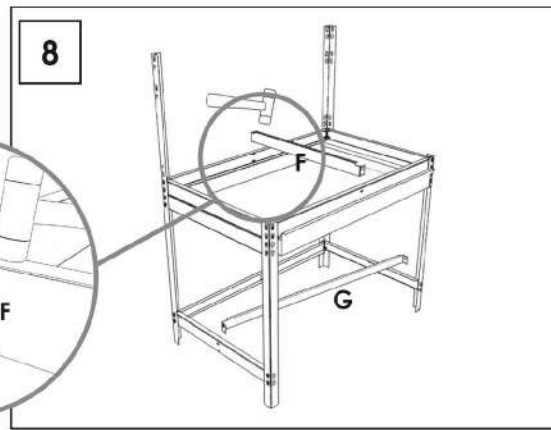
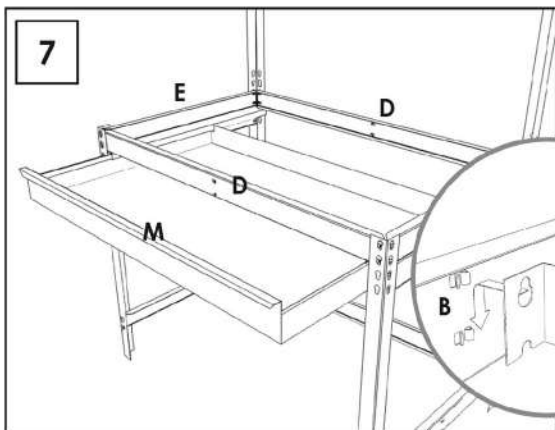
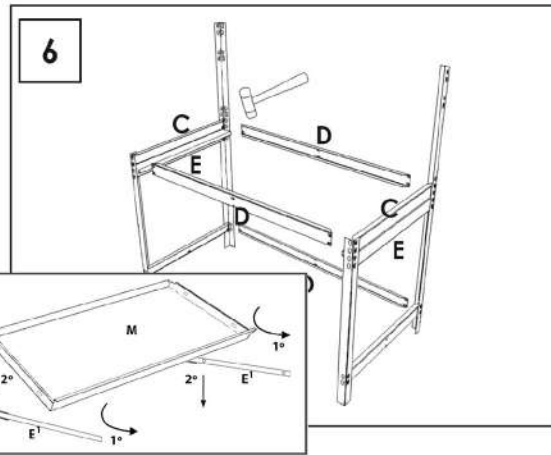
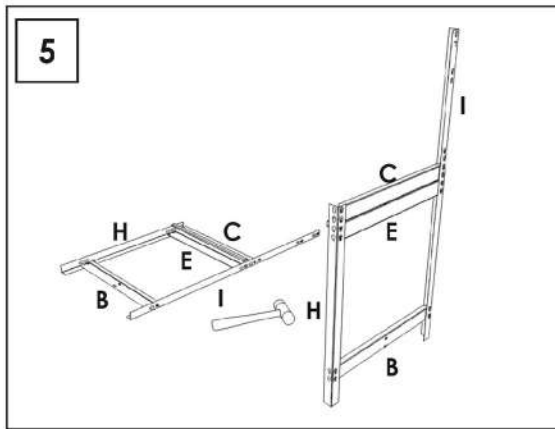
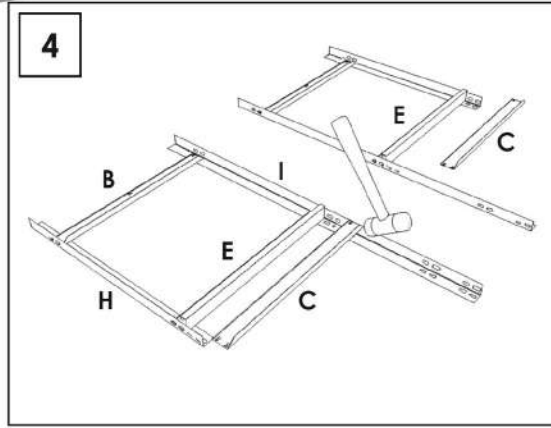
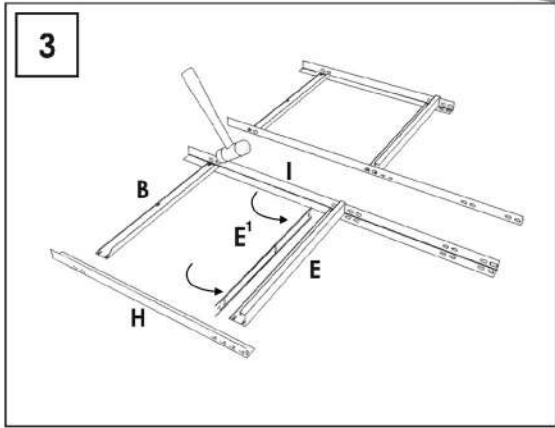
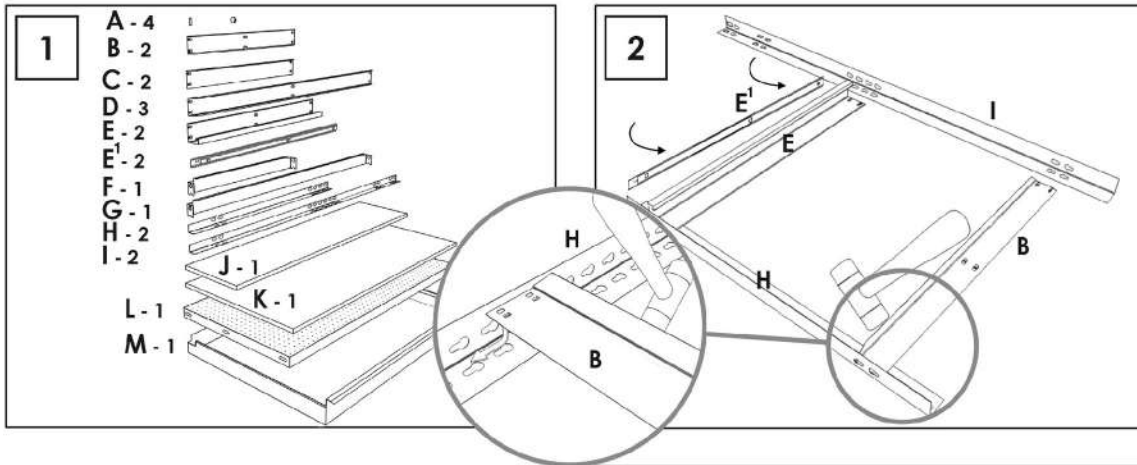
www.simonrack.com



Simon Rack
 SINCE 1964 - MANUFACTURER



INSTRUCCIONES
 INSTRUCTIONS
 ANLEITUNG



SIMONCLASSIC



SIMONCLICK



SIMONTALLER



SIMONAUTO



SIMONWORK



SIMONLOCKER



SIMONOFFICE



SIMONHOME



SIMONGARDEN



SIMONTITÁN



SIMONINOX



SIMONINDUSTRIAL



ALTILLOS Y PASILLOS ELEVADOS
PLATFORMS AND MEZZANINES
LAGERBUHNIEN • PLATES-FORMES ET MEZZANINES

* Kg / lb por bandeja con carga uniformemente repartida
Kg / lb per shelf uniformly distributed load
Kg / lb pro fach bei gleichmäßig verteilter last
Kg / lb par plateau avec charge uniformément répartie

