

Phono Connectors

Order code	Manufacturer code	Description
20-1290	n/a	RED/WHT NICKEL TWIN PHONO SKT (RC)
20-1295	n/a	RED/WHT GOLD TWIN PHONO SOCKET (RC)
20-1300	n/a	BLK/BLK NICKEL TWIN PHONO SKT (RC)
20-1305	n/a	BLK/BLK GOLD TWIN PHONO SOCKET (RC)

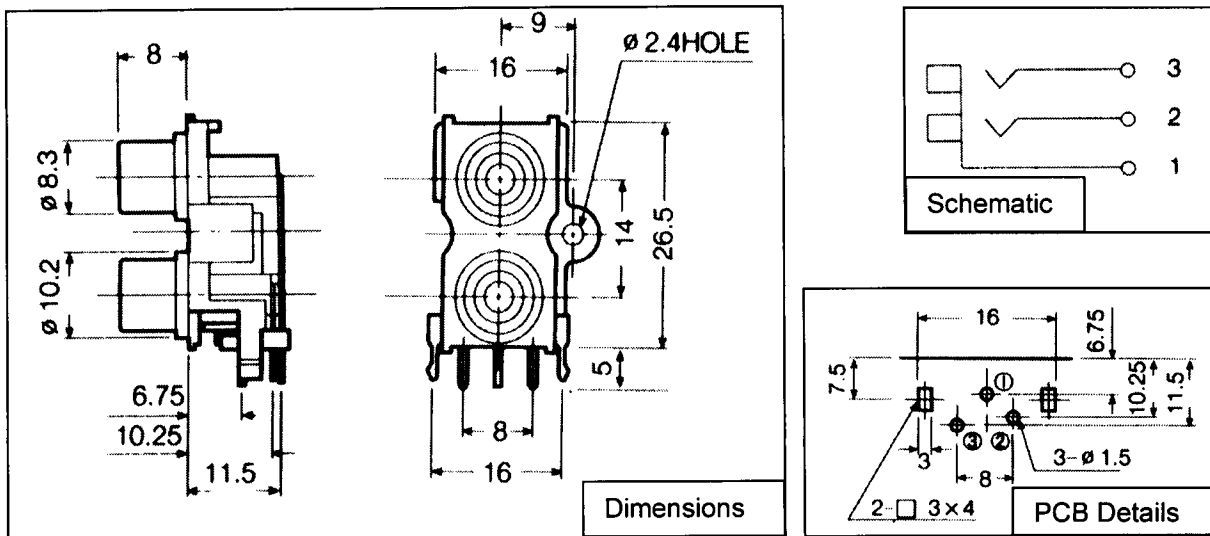
Phono Connectors	Page 1 of 2
The enclosed information is believed to be correct, Information may change 'without notice' due to product improvement. Users should ensure that the product is suitable for their use. E. & O. E.	Revision A 04/07/2003

PCB Phono Sockets

A range of twin PCB mounting Phono Socket assemblies available in nickel or gold plated contact areas and varied insert colour's. Sockets push fit into PCB via locating spigots and also include a panel fixing hole for additional security.

Technical Specification

Colours	:	Red, White, Black
Contact Resistance	:	30mΩ max.
Insulation Resistance	:	100MΩ min, at 500V DC
Insulation Withstand Voltage	:	500V AC for one minute
Contact Plating	:	Nickel or Gold



Description	Colour	Contact Plating
Twin PCB Phono Socket	Red / White	Nickel
Twin PCB Phono Socket	Red / White	Gold
Twin PCB Phono Socket	Black / Black	Nickel
Twin PCB Phono Socket	Black / Black	Gold