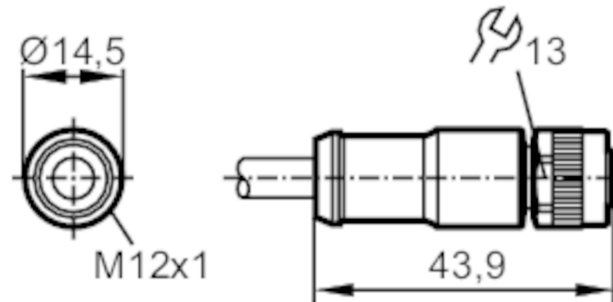


E20838



Connecting cable with socket

ADOGH080MSS0005B08



Application

Special feature: Screened cable

Electrical data

Operating voltage [V]: < 60 AC/DC

Operating conditions

Ambient temperature [°C]: -25...85

Protection: IP 67

Mechanical data

Weight [g]: 290.7

Dimensions [mm]: 14.5 x 14.5 x 43.9

Materials: TPU

Material nut: diecast zinc, nickel-plated

Remarks

Pack quantity: 1 pcs.

Electrical connection

Cable: 5 m, PUR, black, shielded; 7 x 0.25 mm² (14 x Ø 0.15 mm)

Electrical connection - socket

Connector: 1 x M12, straight; Moulded body: TPU; Locking: diecast zinc, nickel-plated



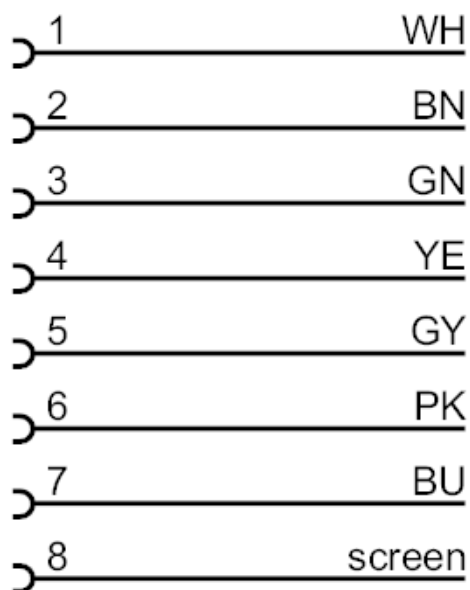
E20838



Connecting cable with socket

ADOGH080MSS0005B08

Connection



colours to DIN

47100

Core colours :

BN = brown

BU = blue

GN = green

GY = grey

PK = pink

WH = white

YE = yellow

screen = screen