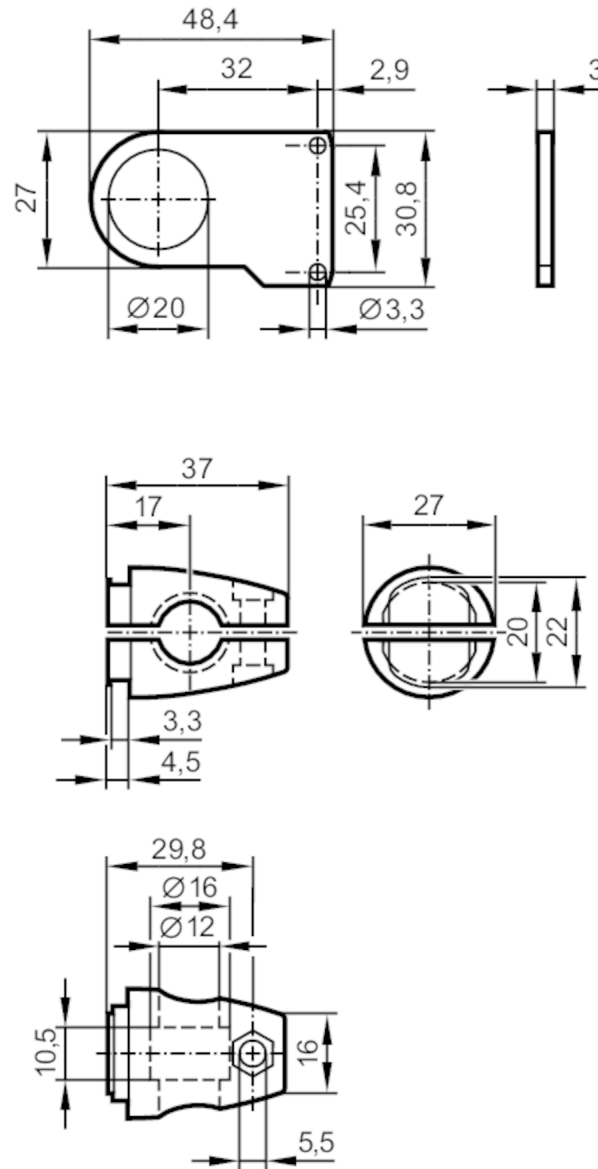


E21275



Mounting set for photoelectric sensors

O6 CLAMP BRACKET 12 MM



Application	
Design	clamp mounting
Mechanical data	
Weight [g]	105.8
Type of mounting	Mounting rod; ($\varnothing 12$ mm)
Dimensions [mm]	$\varnothing 12$
Materials	stainless steel (1.4571/316Ti)
Accessories	
Accessories (supplied)	cylinder screws: 2 x M3 x 14
	Clamp
	head cap screw
	nut: M4

E21275



Mounting set for photoelectric sensors

O6 CLAMP BRACKET 12 MM

Remarks

Pack quantity

1 pcs.