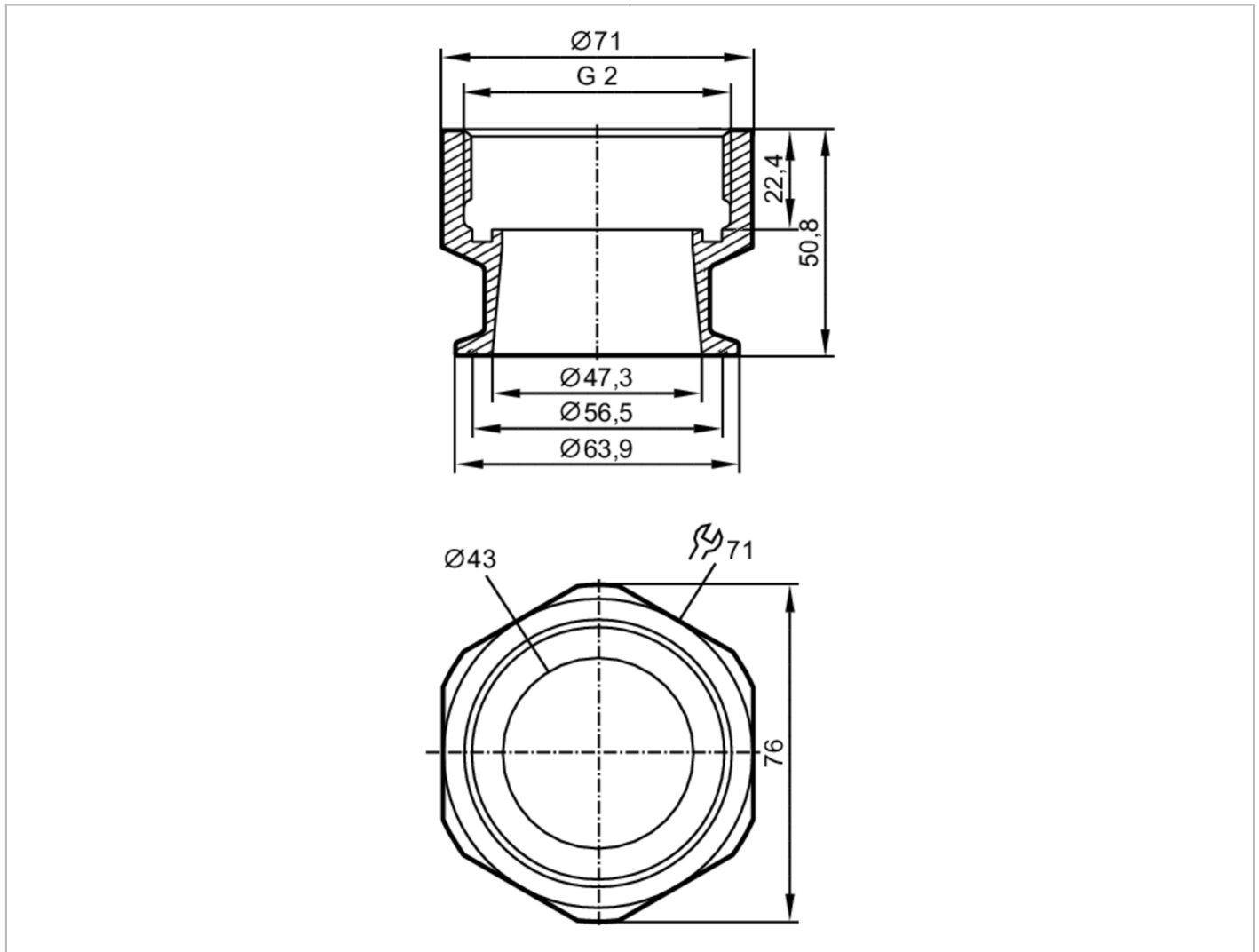


# E40254



## Mounting adapter for flow sensors

ADAPT G2-CLAMP/D64,0/DIN32676



Application	
Design	for flow sensors Typ SM2, SM9
Application	for industrial applications
Media	liquids and gases
Tests / approvals	
Pressure Equipment Directive	Sound engineering practice; can be used for group 2 fluids; group 1 fluids on request
Mechanical data	
Weight [g]	1040
Materials	Adapter: stainless steel (1.4404 / 316L); O-ring: FKM 47,22 x 3,53 mm
Sensor connection	G 2
Process connection	Clamp DN50 (2") DIN 32676 (ISO 2852)
Accessories	
Accessories (supplied)	O-rings: 2
Remarks	
Pack quantity	2 pcs.