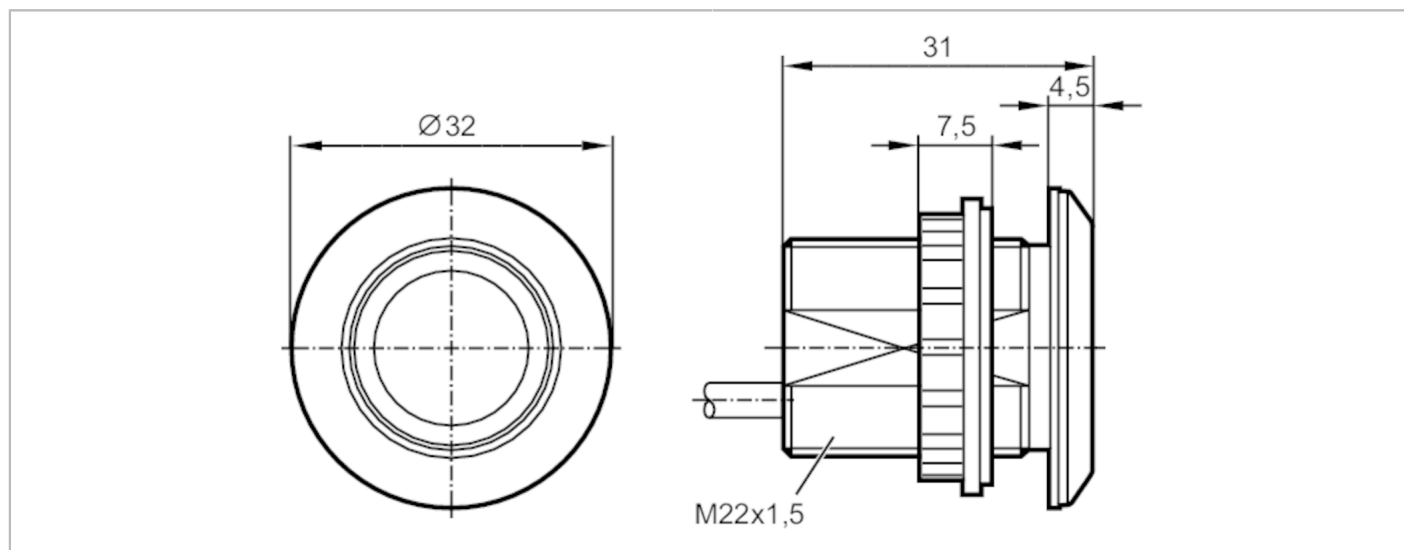


KT5320



Capacitive illuminated pushbutton

KTMSF-EGRBPKG/2M/anster



Product characteristics	
Electrical design	PNP
Output function	normally open
Dimensions [mm]	Ø 32 / L = 31
Application	
Operating principle	static
Electrical data	
Operating voltage [V]	12...30 DC
Current consumption [mA]	30
Protection class	III
Reverse polarity protection	yes
Max. power-on delay time [ms]	500
Outputs	
Electrical design	PNP
Output function	normally open
Permanent current rating of switching output DC [mA]	200
Short-circuit protection	yes
Overload protection	yes
Response times	
Response time [ms]	35
Operating conditions	
Ambient temperature [°C]	-40...85
Protection	IP 65; IP 67; IP 69K; (on the front)
Tests / approvals	
EMC	IEC 61000-4

KT5320



Capacitive illuminated pushbutton

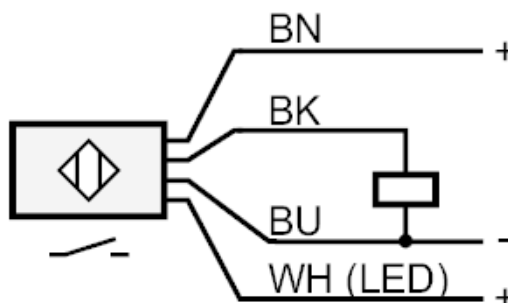
KTMSF-EGRBPKG/2M/anster

Mechanical data		
Weight	[g]	117
Dimensions	[mm]	Ø 32 / L = 31
Materials		housing: stainless steel (1.4404 / 316L); active face: PA Grilamid TR 90UV
Displays / operating elements		
Display	switching status	1 x LED, red
	function	1 x LED, green can be triggered priority switching
Accessories		
Accessories (supplied)		lock nuts: 1
		Gasket: 1
Accessories (optional)		symbol disc
Remarks		
Pack quantity		1 pcs.

Electrical connection

Cable: 2 m, PUR

Connection



Core colours :

- BK = black
- BN = brown
- BU = blue
- WH = white