

MPL POWER SUPPLY 3-PHASE, SMOOTHED

IN: 208-520VAC+/- 5% OUT: 24V/10ADC

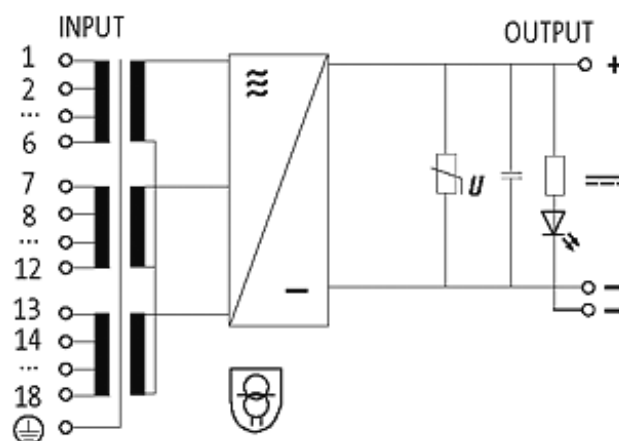
Current: 10 A

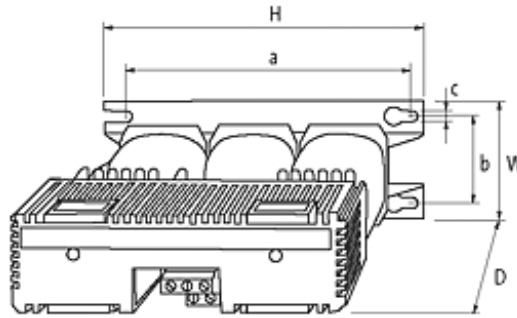
Output rating: 240 W

This power supply units meet the (EN 61000-3-2) standard for harmonic current.

[Link to Product](#)

Illustration





Product may differ from Image

Approvals



Input

Input voltage	3 × 208...520 V AC
Frequency	50...60 Hz

General data

Standards	(EN 61558-2-6), (EN 62041 category I), (EN 55011 B), (EN 61000-3-2)
Mounting method	Key-hole mounting
Temperature range	-20...+55 °C, for any mounting position at vertical wall, no condensation
Efficiency	73 %
Dimensions H × W × D	185×93×188 mm
Fixing centers a × b × c	164×74×6.5 mm

Output

Output voltage	24 V DC (SELV)
Output current	max. 10 A
Ripple	max. 2 %rms
Output fuse external	10 A (T)
Output filter	LED, VDR and smoothing capacitor

Commercial data

country of origin	CZ
customs tariff number	85044090
minimum order quantity	1